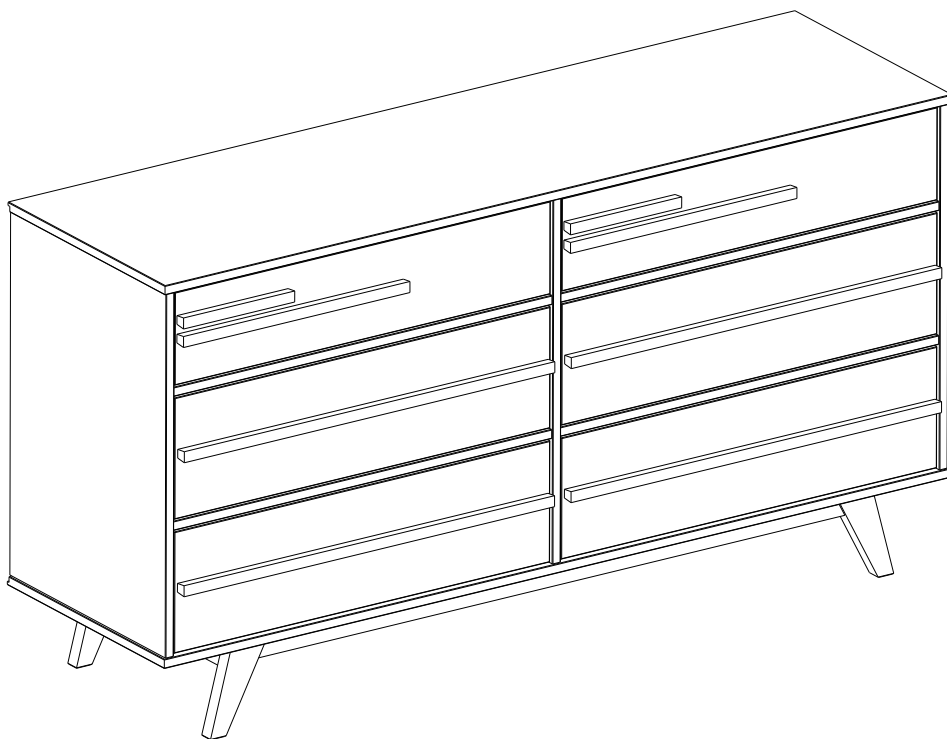


Item # : BR6DREBDR

Assembly Instructions

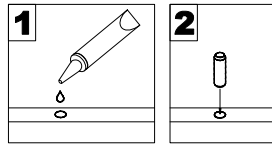


Please visit our website for the most current instructions, assembly tips, report damage, or request parts. www.walkeredison.com

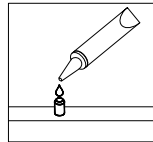
V1 Revised 07/2022

General Assembly Guidelines

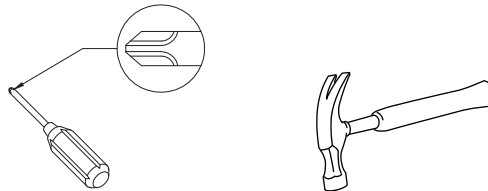
- I. Ensure that all parts and hardware are available before beginning assembly.
- II. Follow each step carefully to ensure the proper assembly of this product.
- III. Two people are recommended for ease in the assembly of this product.
- IV. The three main types of hardware used to assemble this product are wood dowels, screws and bolts.
- V. The provided glue is to secure wood dowels in place . When first inserting dowels , locate the appropriate hole for the dowel , place a small amount of glue in the hole and insert the dowel . Wipe away excess glue immediately.



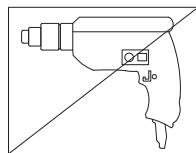
In future assembly steps when dowels are necessary to attach assembly parts together , place a small amount of glue on the end of the dowel before attaching parts together . Wipe away excess glue immediately.



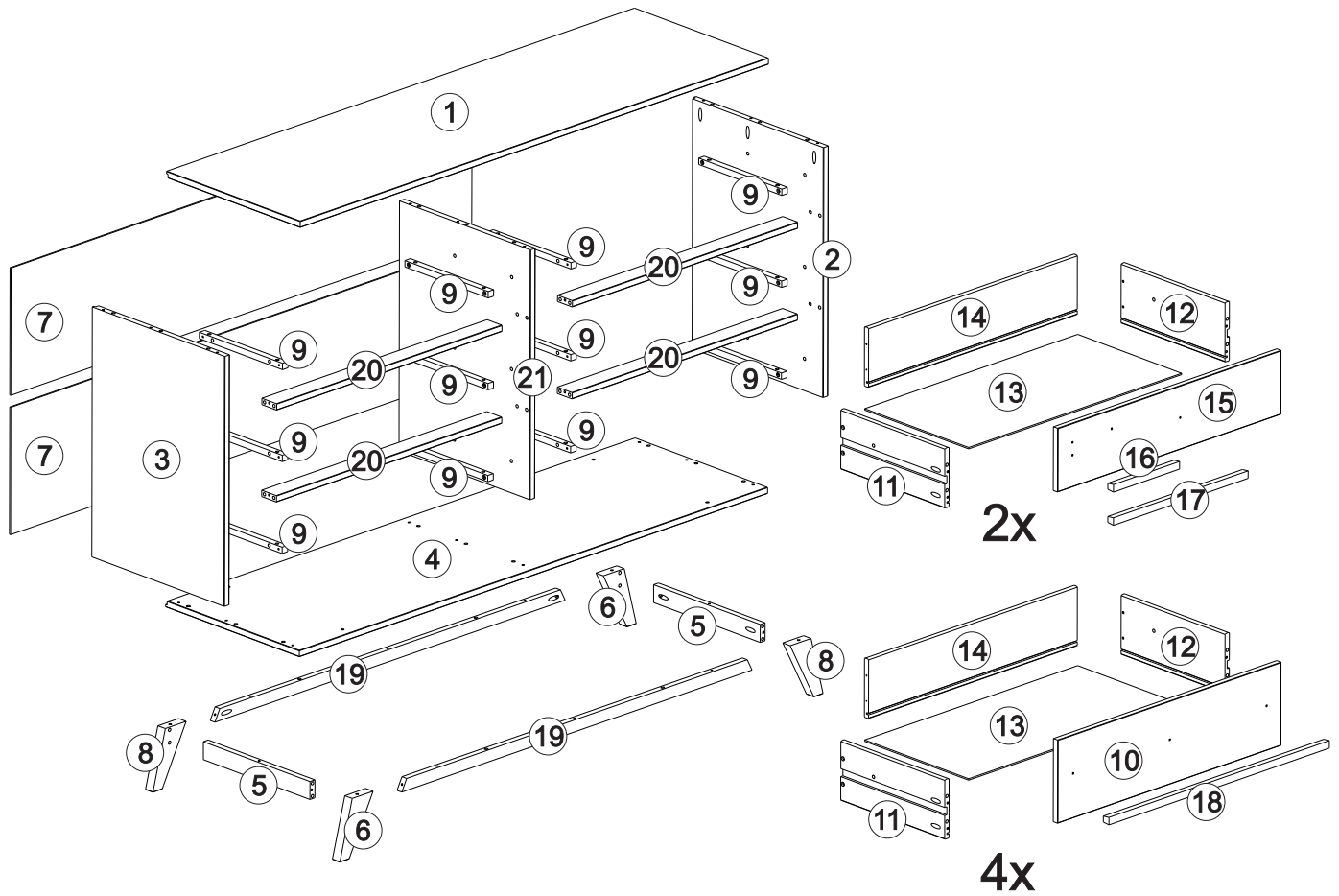
- VI. A Phillips head screwdriver and hammer is required for the assembly of this product.



- VII. Power tools should not be used to assemble this product.



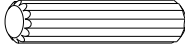




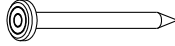
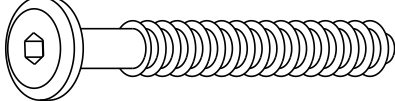

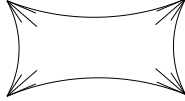
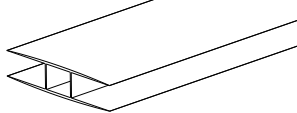
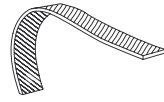



Parts List

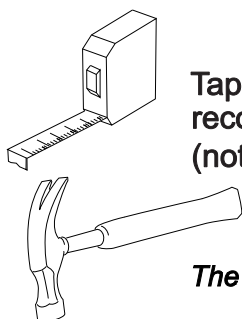


Part#	Description	Qty
1	Top panel	01
2	Right side panel	01
3	Left side panel	01
4	Bottom panel	01
5	Crossbeam foot	02
6	Left foot	02
7	Back panel	02
8	Right foot	02
9	Drawer runner	12
10	Large Drawer Front	04
11	Left drawer side	06

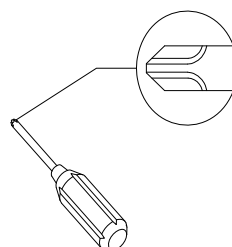
Part#	Description	Qty
12	Right drawer side	06
13	Drawer bottom	06
14	Drawer back	06
15	Small drawer front	02
16	Small drawer handle	02
17	Drawer handle	02
18	Large drawer handle	04
19	Leg crossbeam foot	02
20	Front crossbeam	04
21	Division	01

Hardware List

A		Ø8*30mm	Wood dowel	94 pcs
B		Ø8*20mm	Wood dowel	24 pcs
C		Ø3,5*25mm	Screw	24 pcs
D		Ø3,5*30mm	Screw	75 pcs
E		Ø4,0*40mm	Screw	17 pcs
F		Ø10*10	Nail	36 pcs
G		Ø7*60mm	Screw	04 pcs
H		4mm	Hex Key	01 pcs
I			Glue	01 pcs
J		1486mm	"H" Profile	01 pc
K			Wall anchor	01 pc
L			Washer	02 pc
M		Ø6mm		01 pc
N		Ø4,5*25mm	Screw	20 pcs



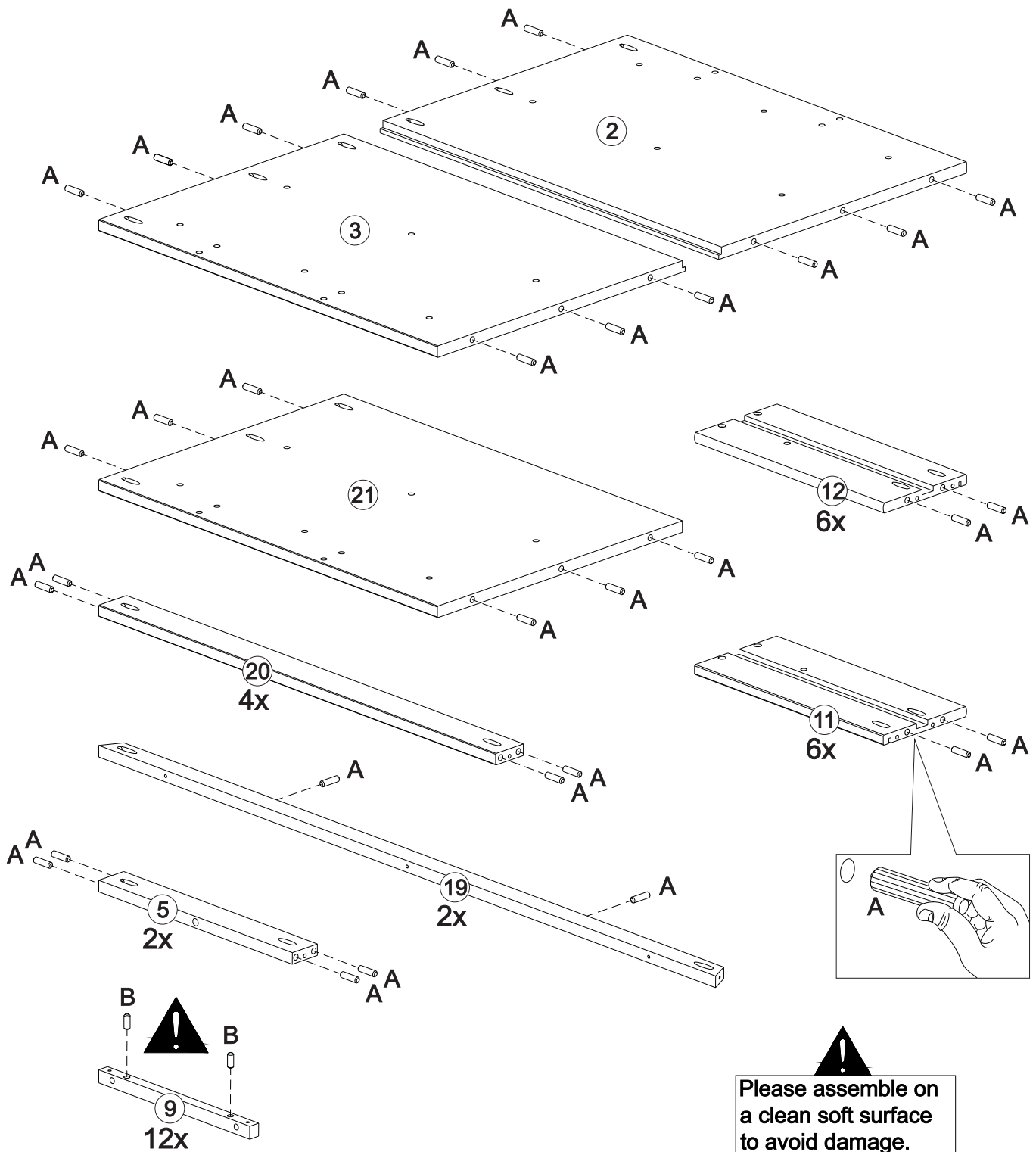
Tape measure and hammer recommended for assembly (not included)






Philips head screwdriver required for assembly (not included)

The hardware quantities listed above are required for proper assembly. Some extra hardware may also have been included.

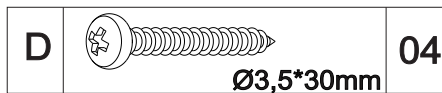
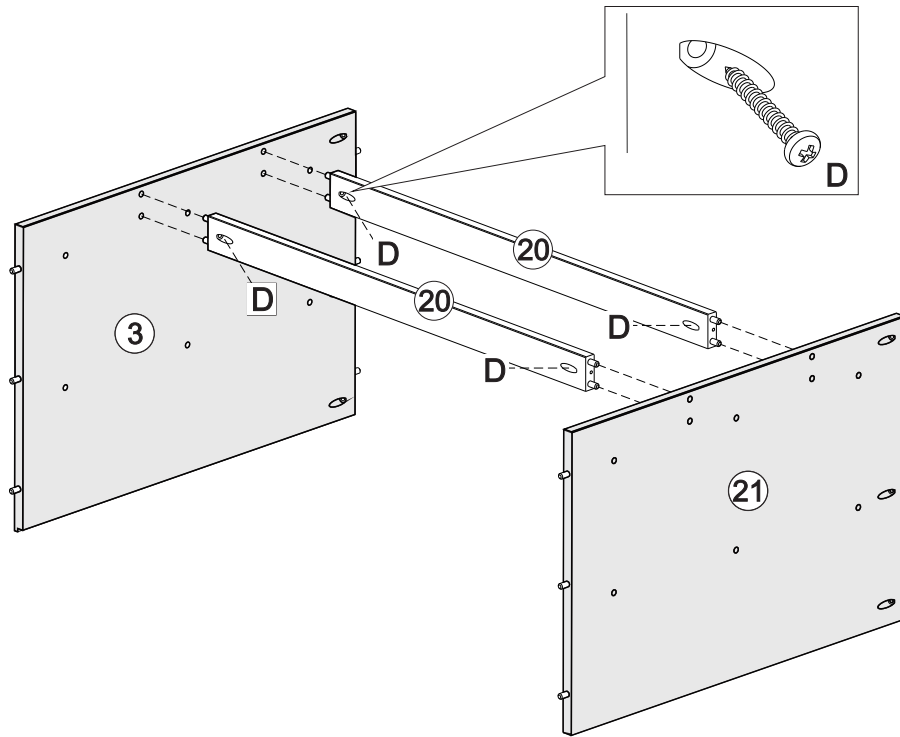
Step 1



A	 $\varnothing 8 \times 30 \text{mm}$	70
B	 $\varnothing 8 \times 20 \text{mm}$	24
I		01

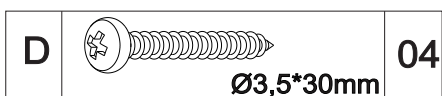
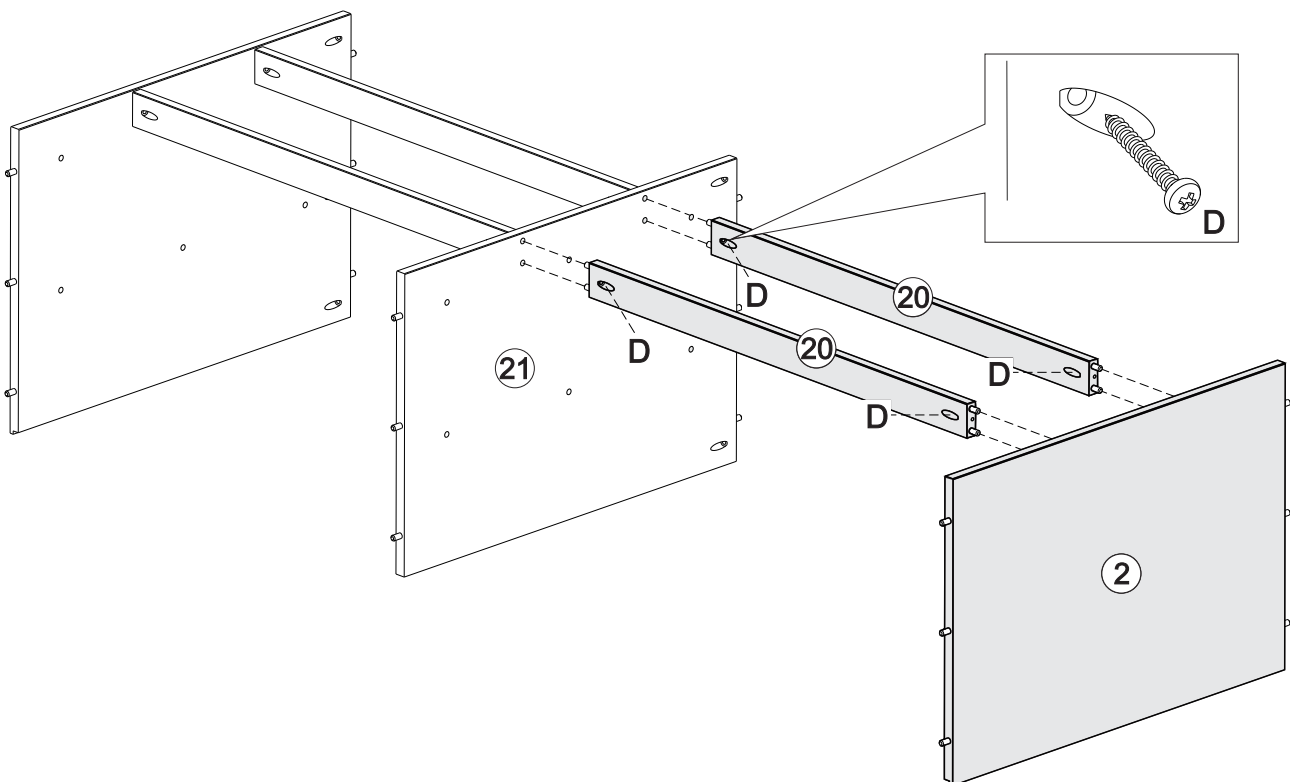
Insert wood dowel (A) and glue (I) into parts (2, 3, 5, 12, 13, 16, 17, 19, 20, 21).
Insert wood dowel (B) and glue (I) into part (9).

Step 2



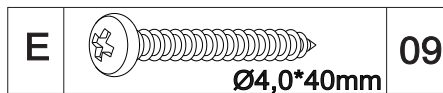
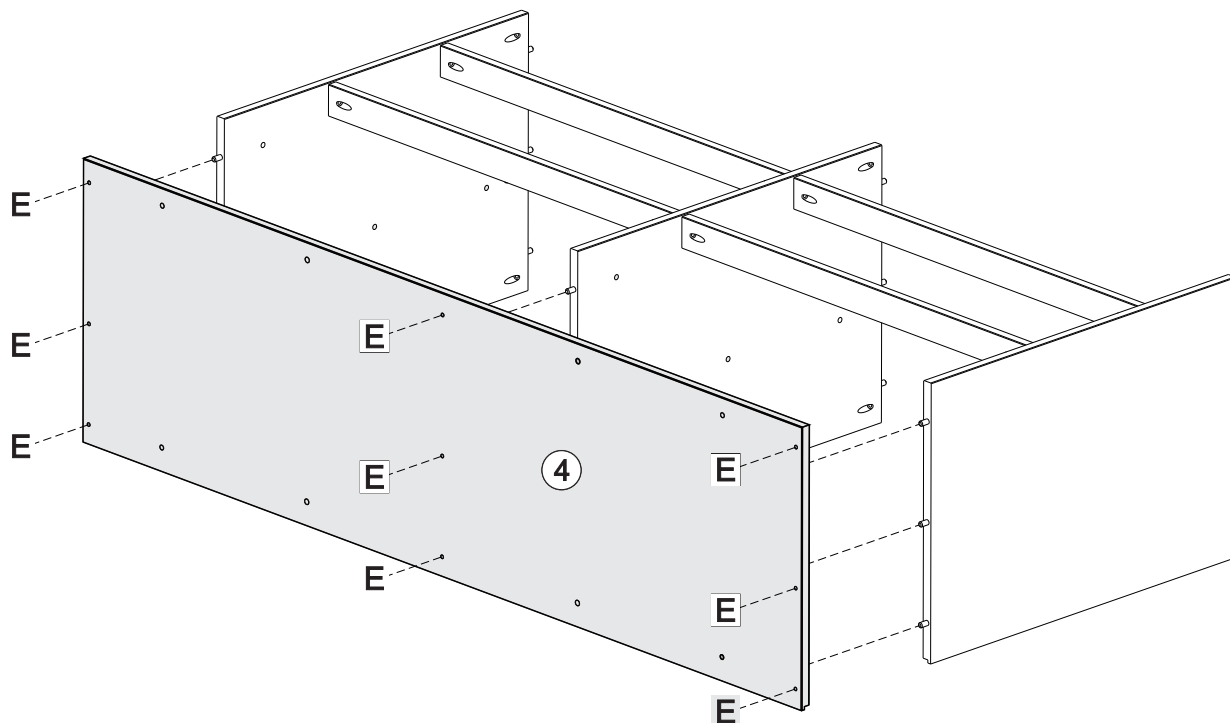
Attach part (20) to parts (3,21) using screw (D)

Step 3



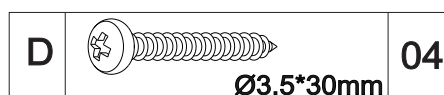
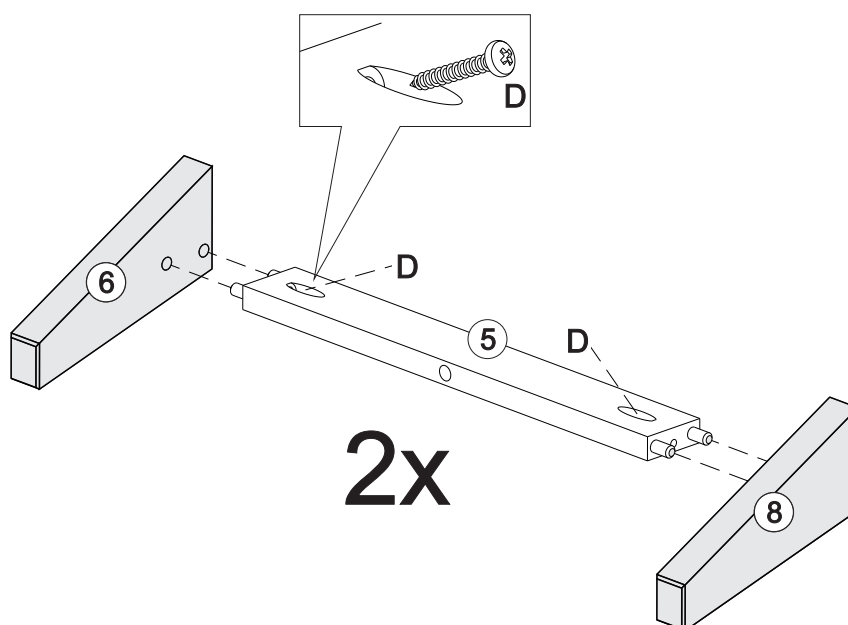
Attach part (20) to parts (21,2) using screw (D)

Step 4



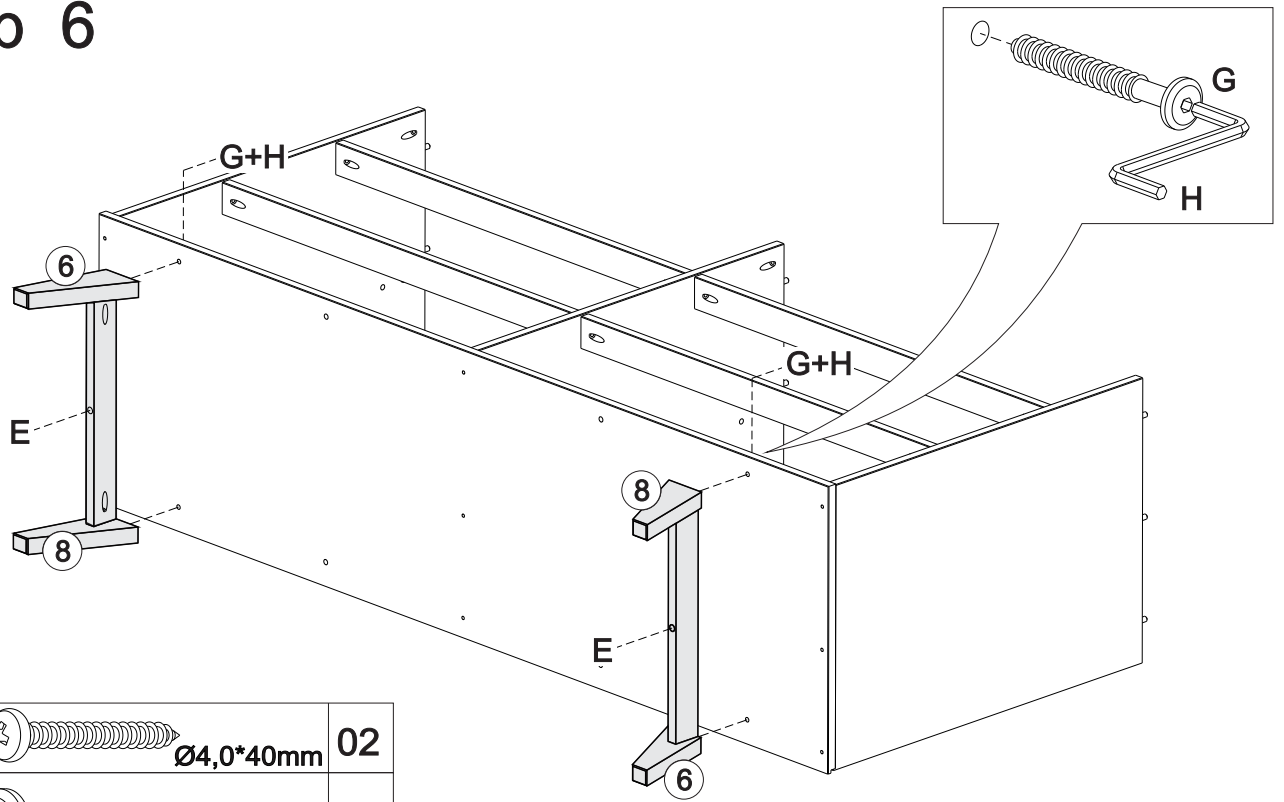
Attach part (4) to body with screws (E)


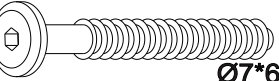

Step 5



Use screw (D) to attach part (5) to part (6,8)

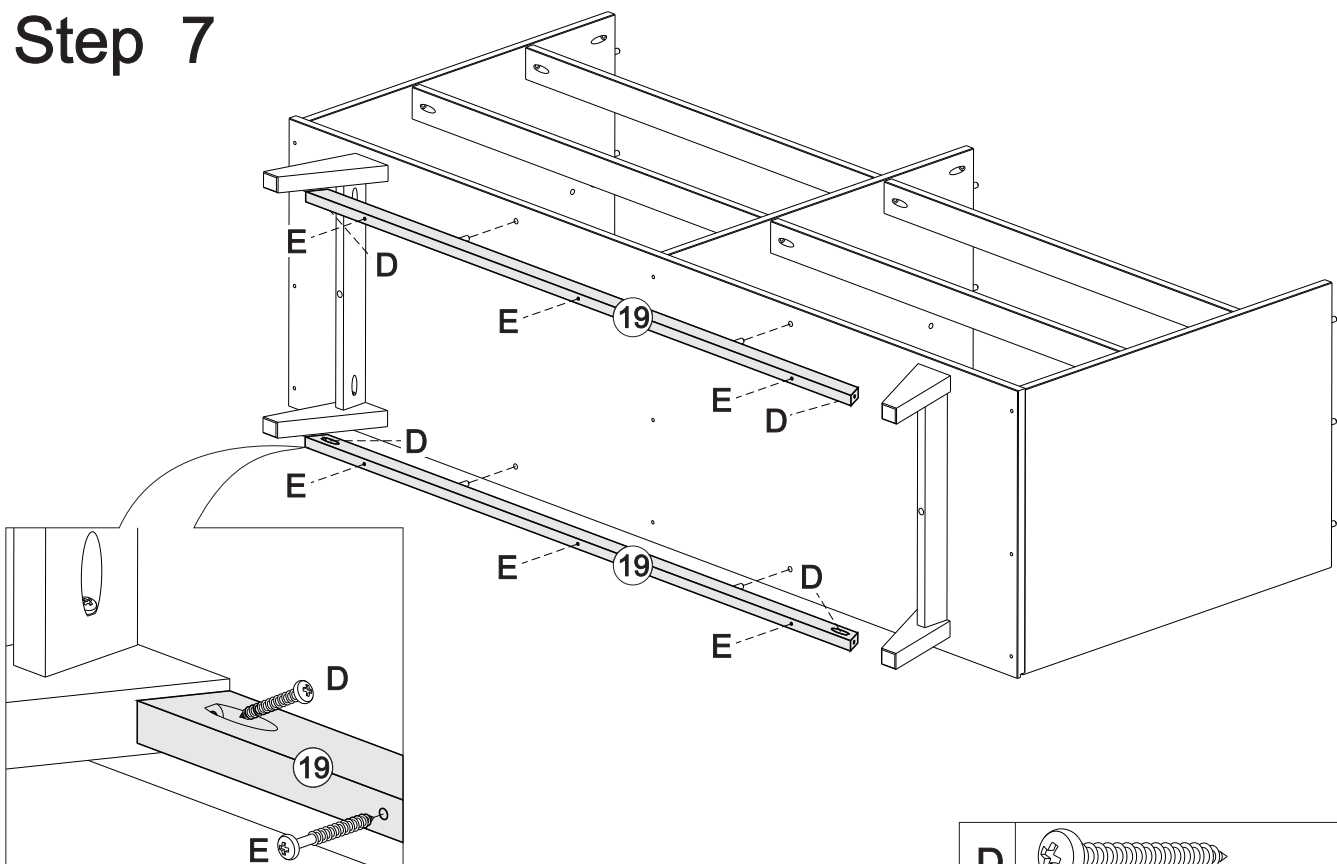
Step 6




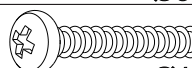
E		02
G		04
H		01

Use screw (E) to attach legs to body with screws (E) and use screw (G) and hex key (H) to attach the feet to the body.

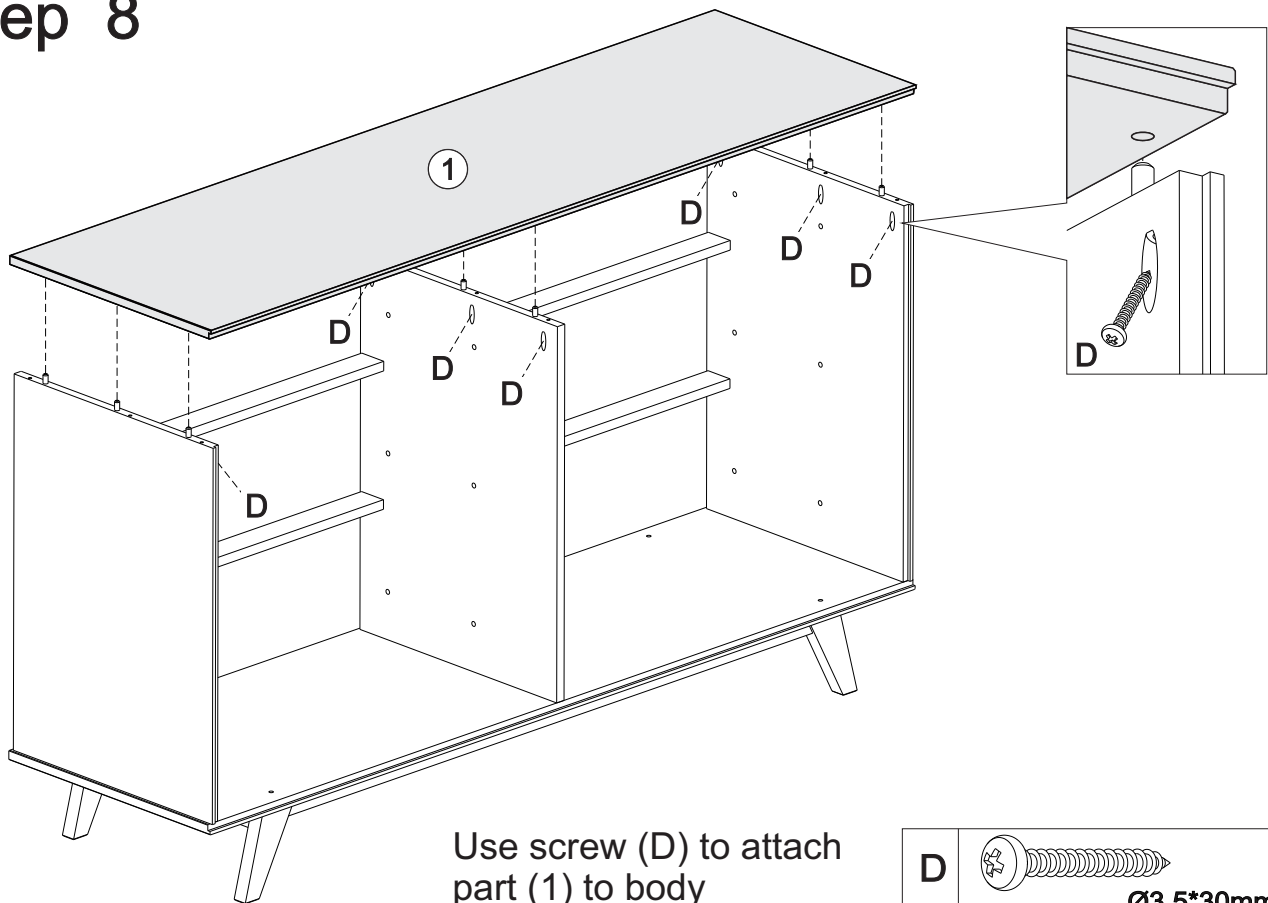
Step 7



Attach cross beam (19) to body using screw (D, E)

D		04
E		06

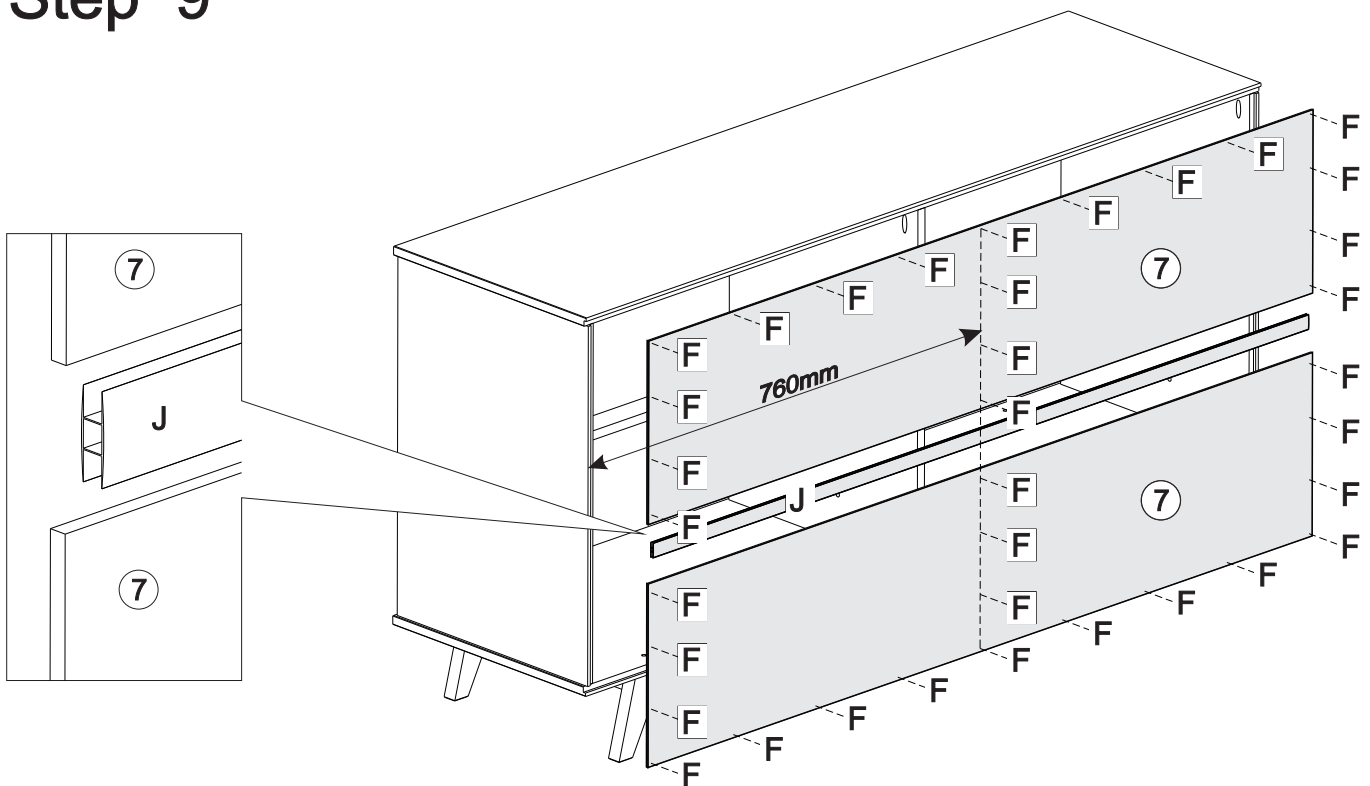
Step 8



Use screw (D) to attach part (1) to body

D		Ø3,5*30mm	09
---	--	-----------	----

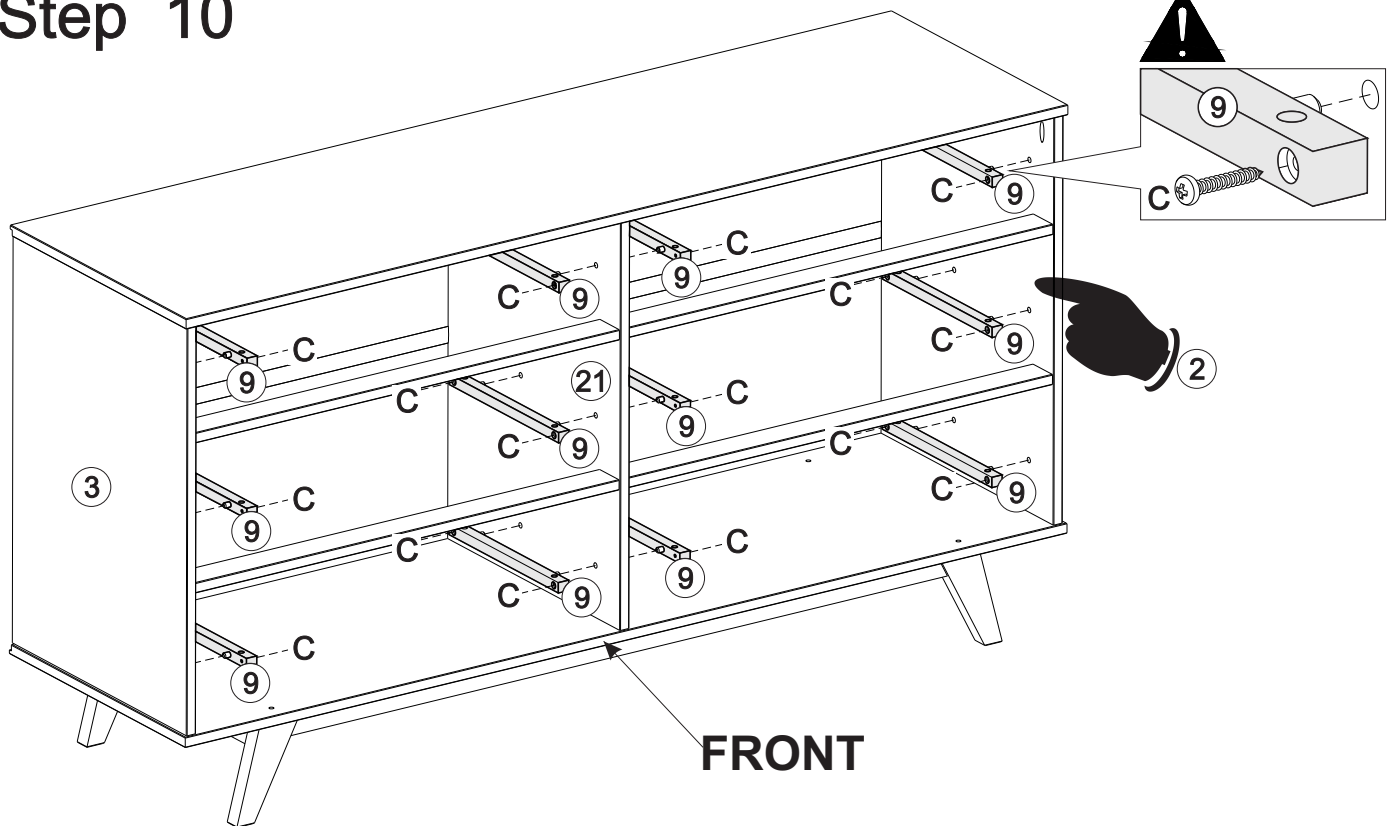
Step 9



F		Ø10*10	36
J		1486mm	01

Secure back panel (7) with part (J) to body with nails (F)

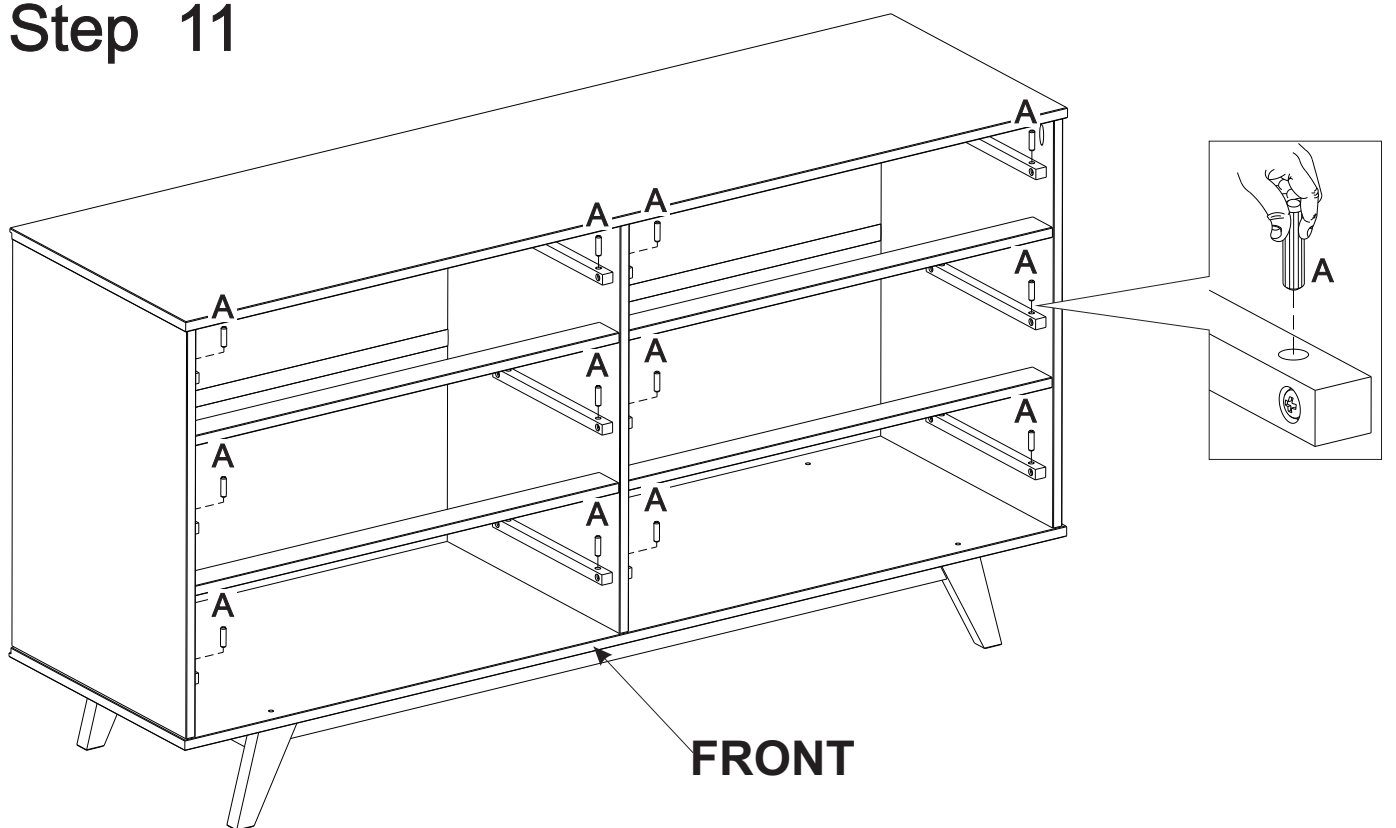
Step 10



C		24
Ø3,5*25mm		

Use screw (C) attach parts (9) to BOTH sides of part (2,3,21)
 NOTE: The extra holes in part (9) should face the top of part (21)

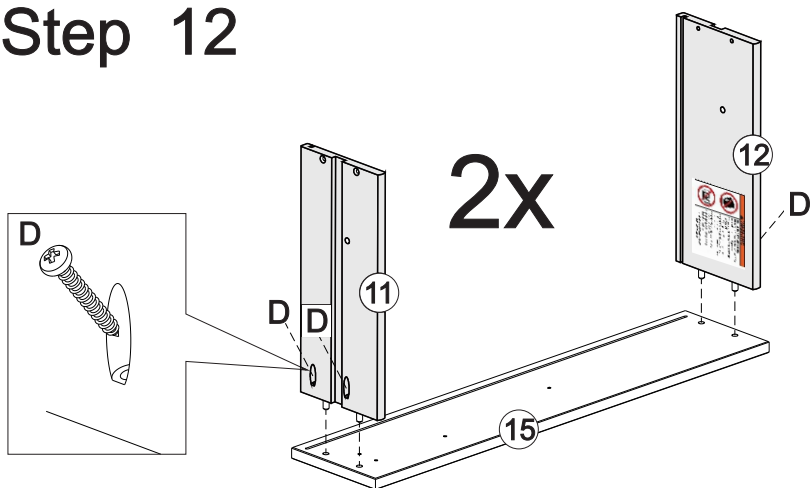
Step 11



A		12
Ø8*30mm		

Insert wood dowel (A) into the front hole in the drawer rails (9)

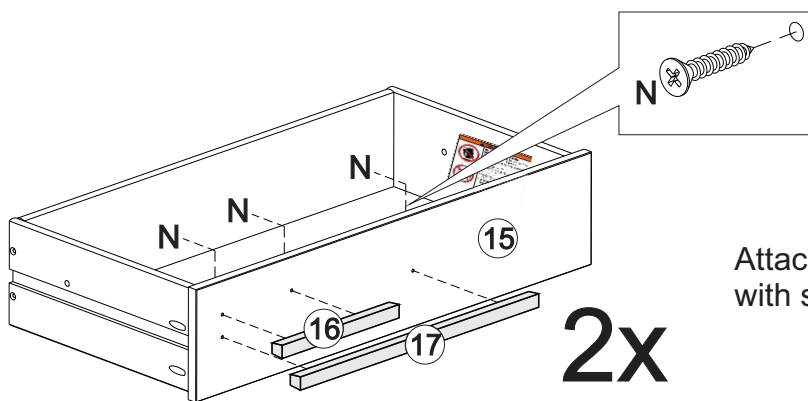
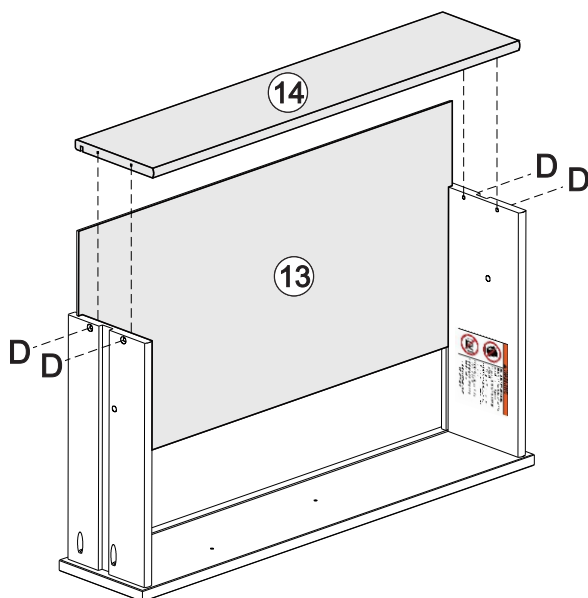
Step 12



Attach parts (11,12) to part (15) ,

insert panel (13) into groves and secure part (14) with screws(D).

2x



Attach parts (16,17) to part (15) ,
with screws(N), using the predrilled holes.

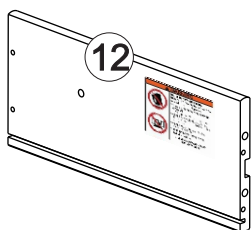
2x

WARNING



Children have died from furniture tipover. To reduce the risk of furniture tipover:

- ALWAYS install tipover restraint provided.
- NEVER put a TV on this product.
- NEVER allow children to stand, climb or hang on drawers, doors, or shelves.
- NEVER open more than one drawer at a time.
- Place heaviest items in the lowest drawers.

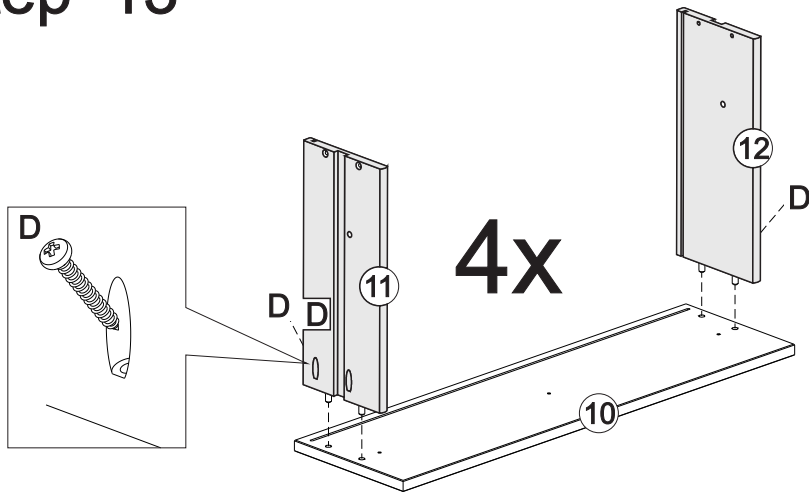
This is a permanent label. Do not remove!



The side drawer with WARNING LABEL, should be mouted in highest drawer.

D		Ø3,5*30mm	16
N		Ø4,5*25mm	08

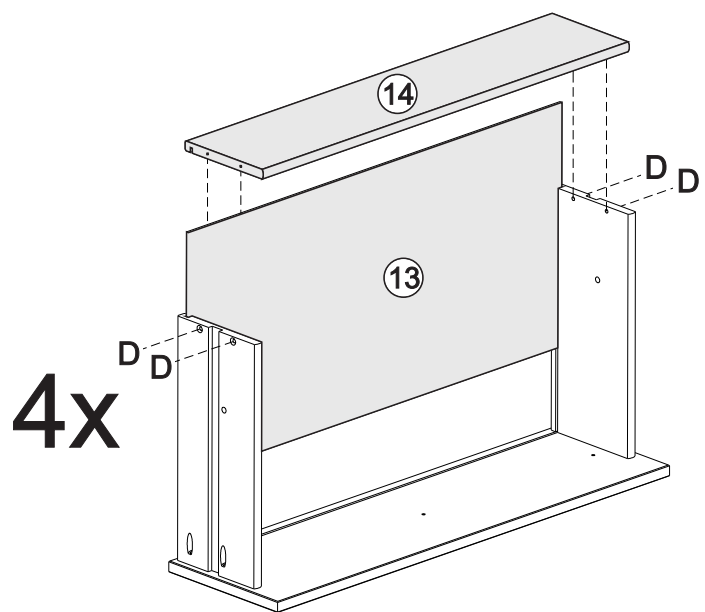
Step 13



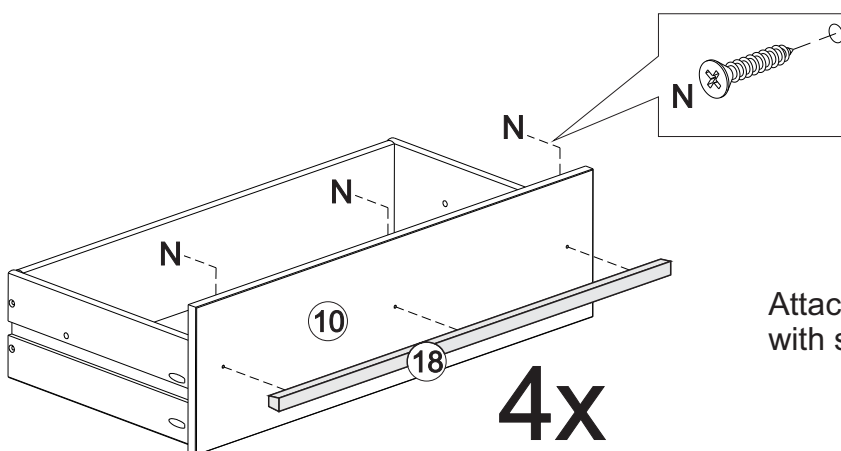
Attach parts (11,12) to part (10) ,

4x

insert panel (13) into groves and secure part (14) with screws(D).


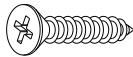


4x

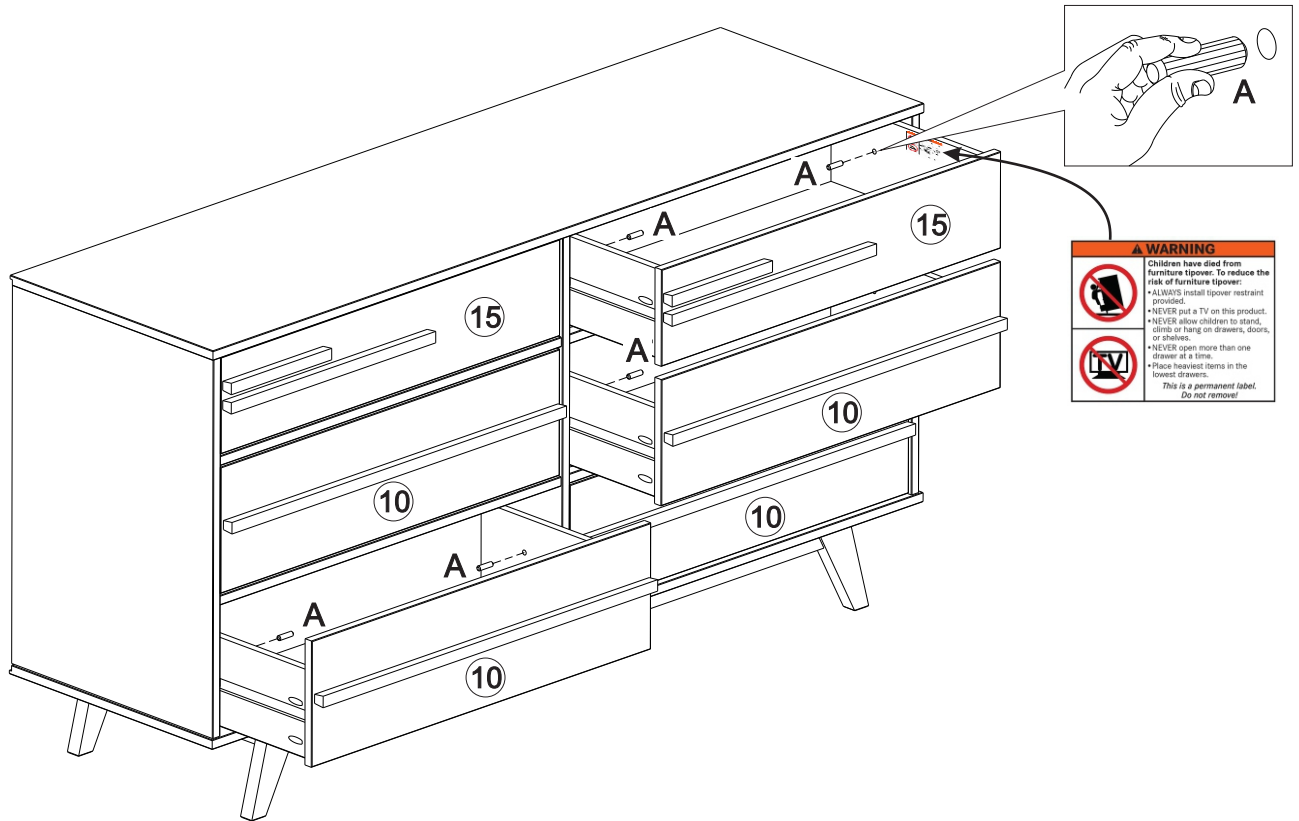


Attach parts (18) to part (10) ,
with screws(N) using predrilled holes.

4x

D		32
N		12

Step 14



WARNING
Children have died from furniture tipover. To reduce the risk of furniture tipover:

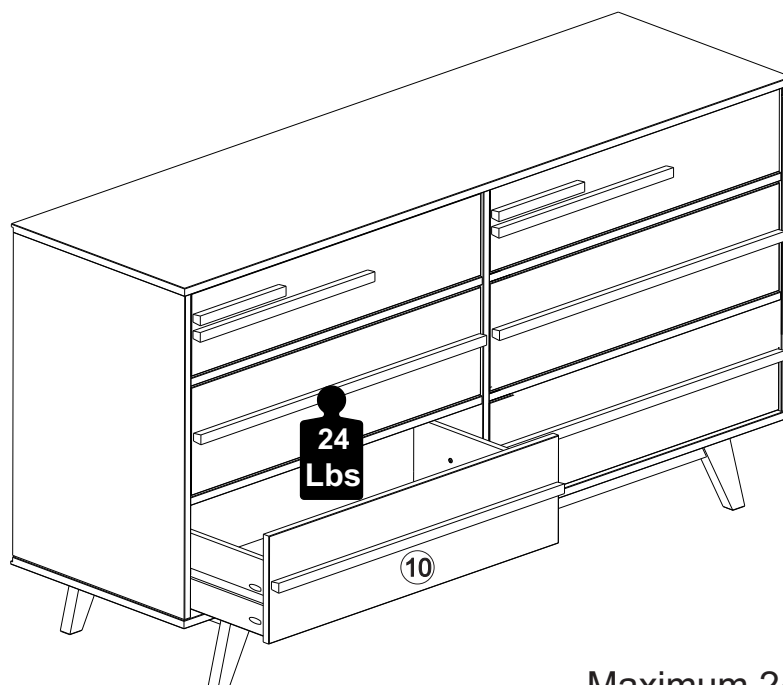
- ALWAYS install tipover restraint provided.
- NEVER put a TV on this product.
- NEVER allow children to stand, climb or hang on drawers, doors, or shelves.
- NEVER open more than one drawer at a time.
- Place heaviest items in the lowest drawers.

This is a permanent label. Do not remove!

Insert wood dowel (A) on the inside of all drawers while drawers is inside the unit. Make sure dowel is flush with panel.



Assembly Complete!

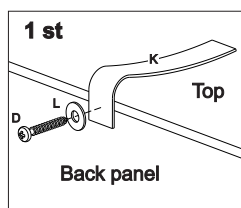


Maximum 24 LBS per drawer.

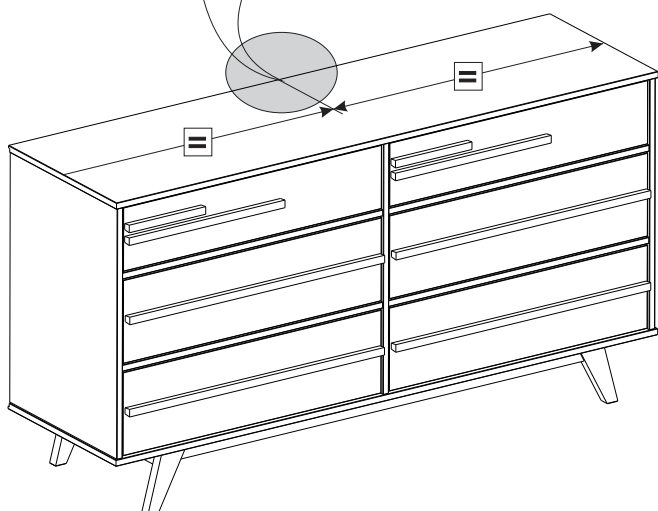
WARNING

Serious or fatal injuries can occur from furniture tipping over. To prevent the furniture from tipping over we recommend that it is permanently fixed to the wall.

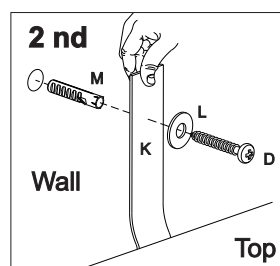
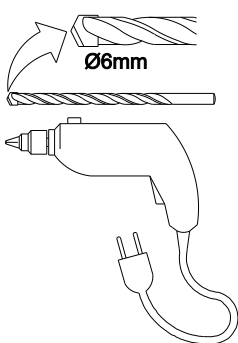
Wall anchor and hardware are included with this product. Please make sure hardware is suitable for your walls before installing, as different wall materials may require different types of anchors.



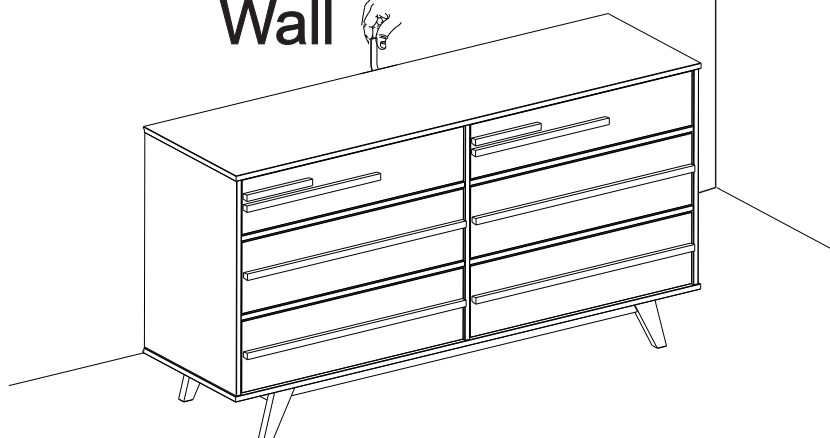
Attach part (K) with Screw (D) and Washer (L), in the frame of superior panel unit.


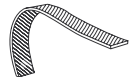




With drilling machine make one hole in the wall, Insert part (M) in the hole. Secure part (K) with Screw (D) and Washer (L), in the wall.



Wall



D	 Ø3,5*30mm	02
K		01
L		02
M		01