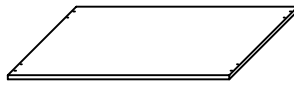
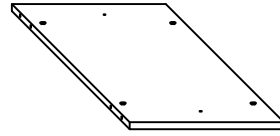
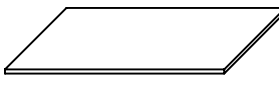








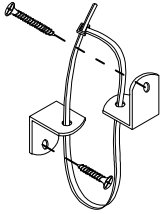
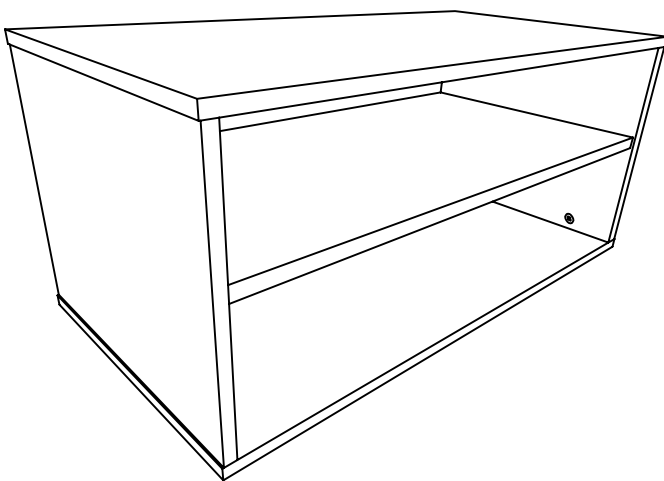


# ASSEMBLY INSTRUCTION

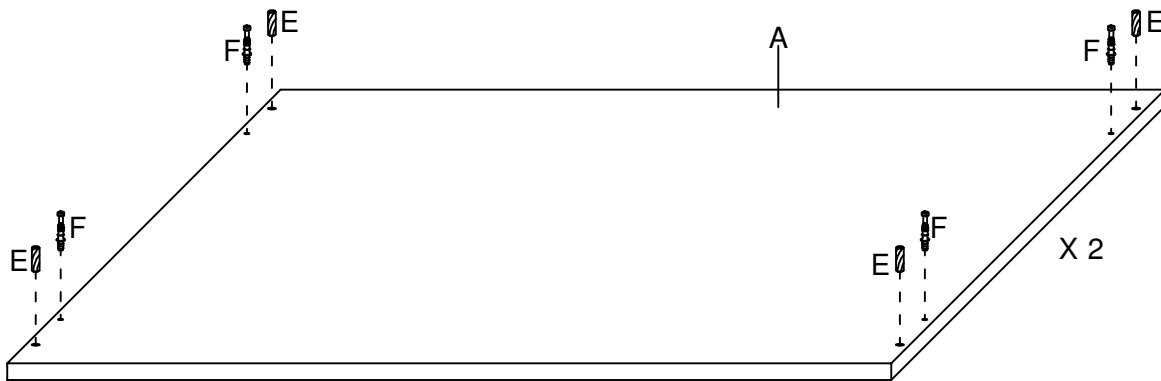
## LARGE 1-SHELF CUBE

<b>A</b> Top and Bottom Panel	<b>B</b> Side Panel	<b>C</b> Shelf Panel	<b>D</b> Back Panel
			
2pcs	2pcs	1pc	1pc
<b>E</b> Wood Dowel M8 x 25mm	<b>F</b> Minifix Cam Bolt 7mm x 24mm	<b>G</b> Minifix Cam Lock 15mm x 9.5mm	<b>H</b> Shelf Support M5 x 16mm
			
8pcs	8pcs	8pcs	4pcs
<b>I</b> Panhead Screw M3.5 x 12mm	<b>J</b> Feet Pad	<b>K</b> Panhead Screw M4 x 25mm	<b>L</b> Anti-Tipping Kit
			
14pcs	4pcs	4pcs	1set



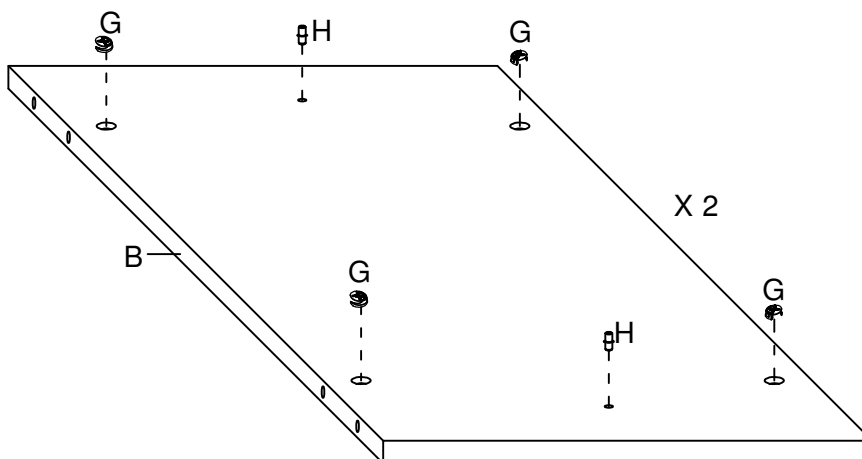
This page lists all the contents included in the box. Please take the time to identify the hardware as well as the individual components to this product. As you unpack and prepare for assembly, place the contents on a carpeted or padded area to protect them from damage.

**1** Insert Wood Dowel (E) and Minifix Cam Bolt (F) to Top and Bottom Panel (A).

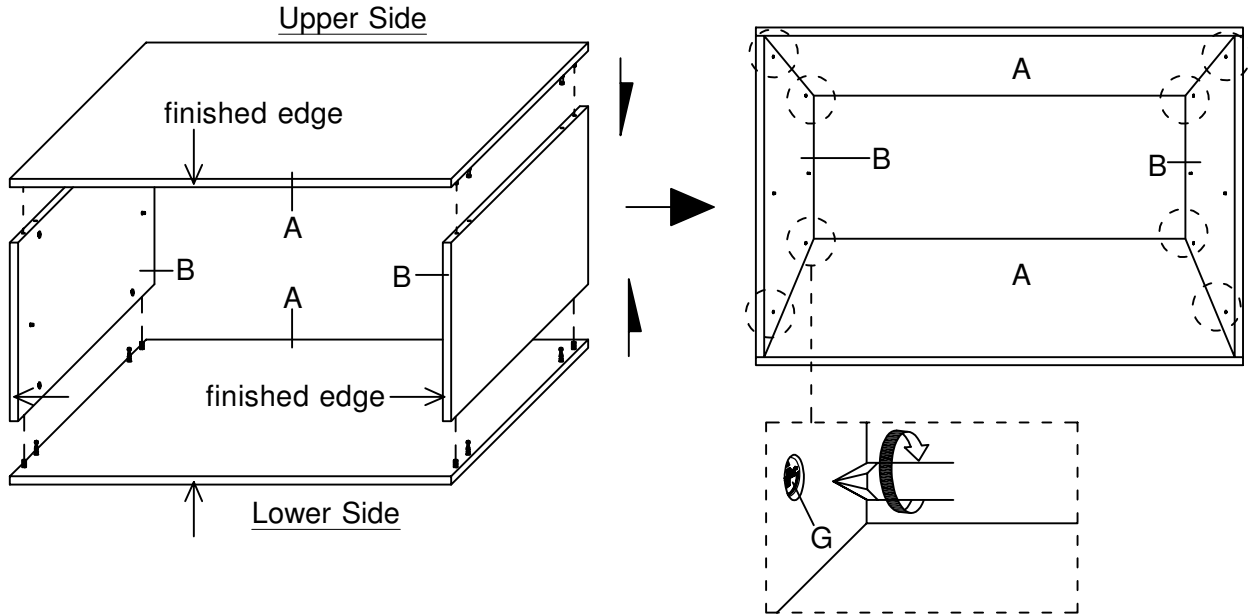


**2** Insert Minifix Cam Lock (G) and Shelf Support (H) to Side Panel (B).

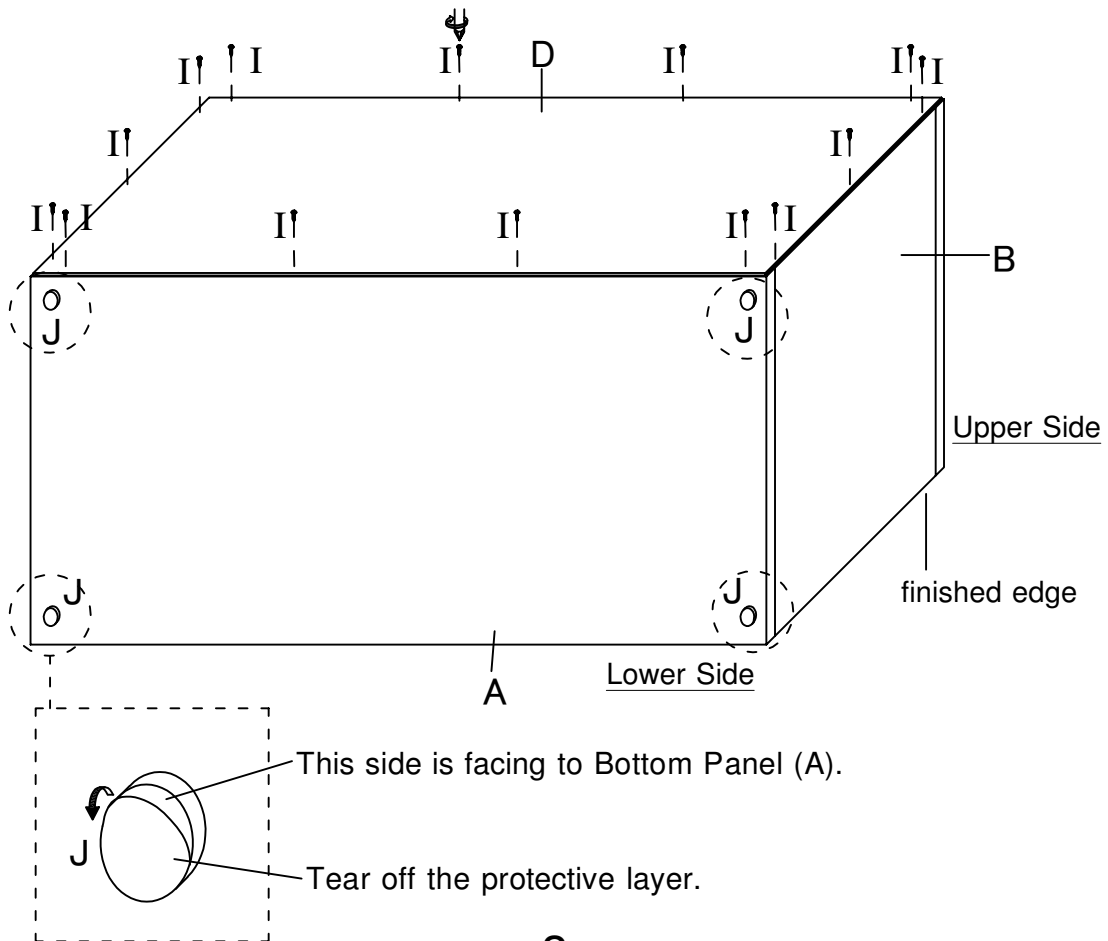
NOTE : - Make sure arrows on each (G) points towards nearest edge with holes.



- 3** Attach 2pcs Top and Bottom Panel (A) and 2pcs Side Panel (B) then tighten the Minifix Cam Lock (G) with screwdriver (not provided).

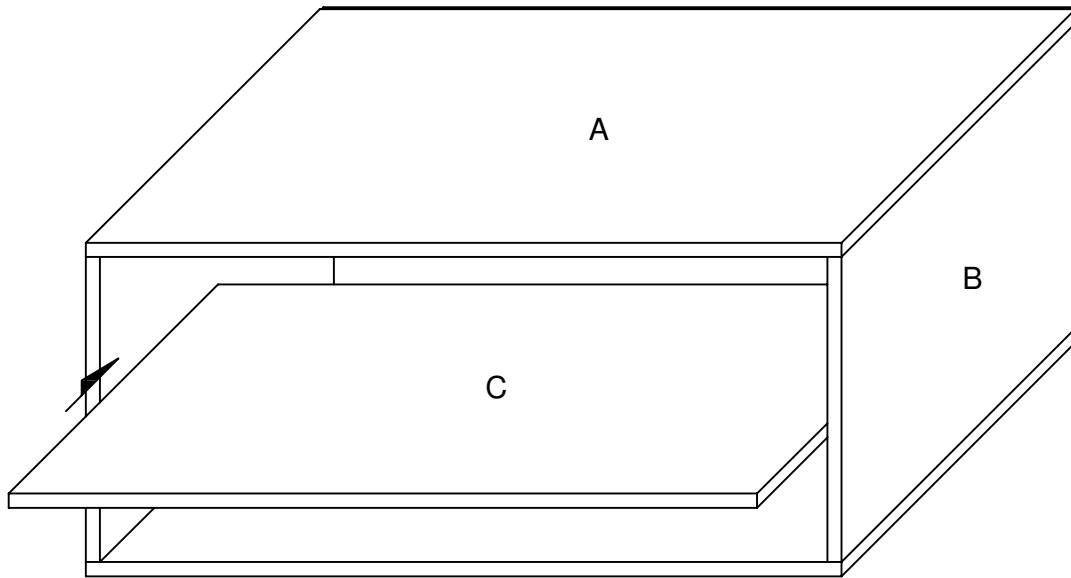


- 4** Turn the cube and attach Back Panel (D) using Panhead Screw (I) with screwdriver (not provided). Paste Feet Pad (J) on the 4 corners of the Bottom Panel (A).



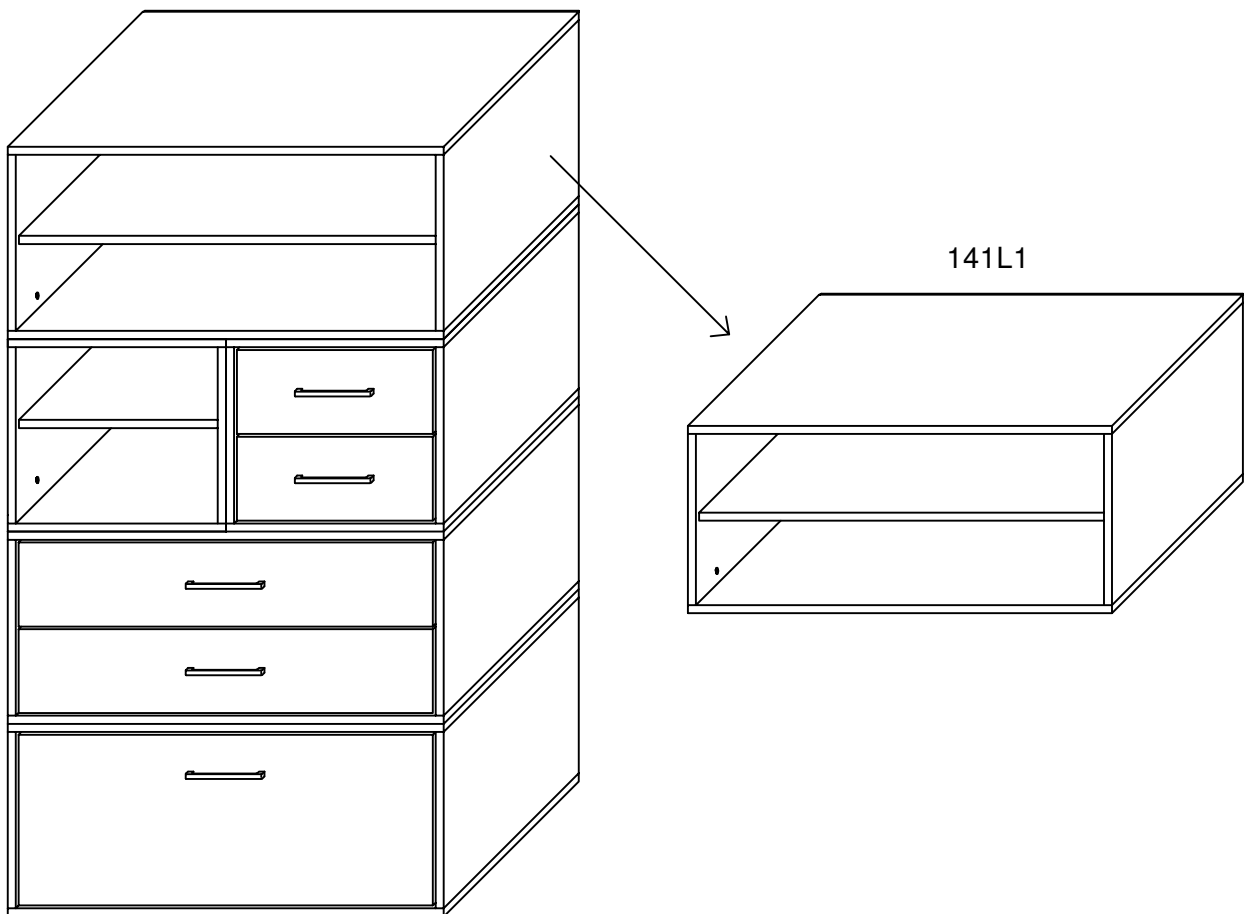
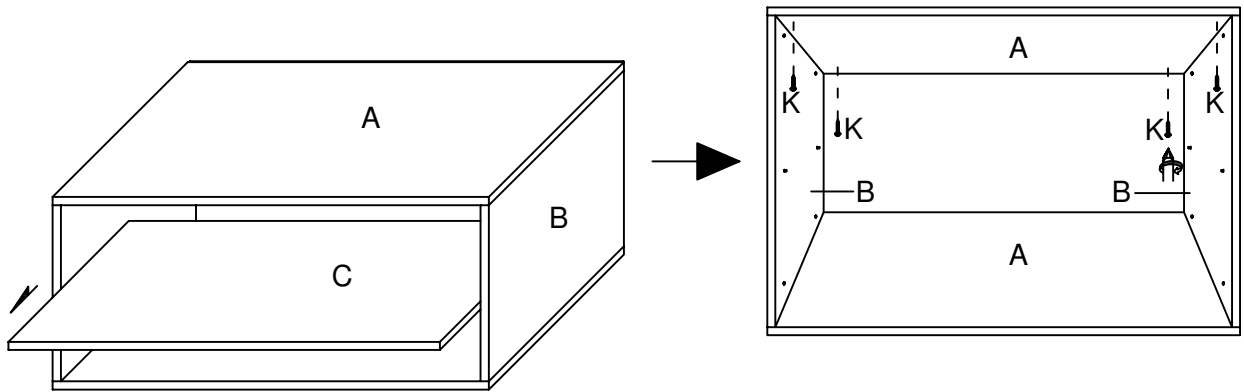
---

**5** Put Shelf Panel (C) on the Shelf Support (H).



**6****More Selection Styles : 141L1 + 141S1 + 141S2 + 141L2 + 141L3**

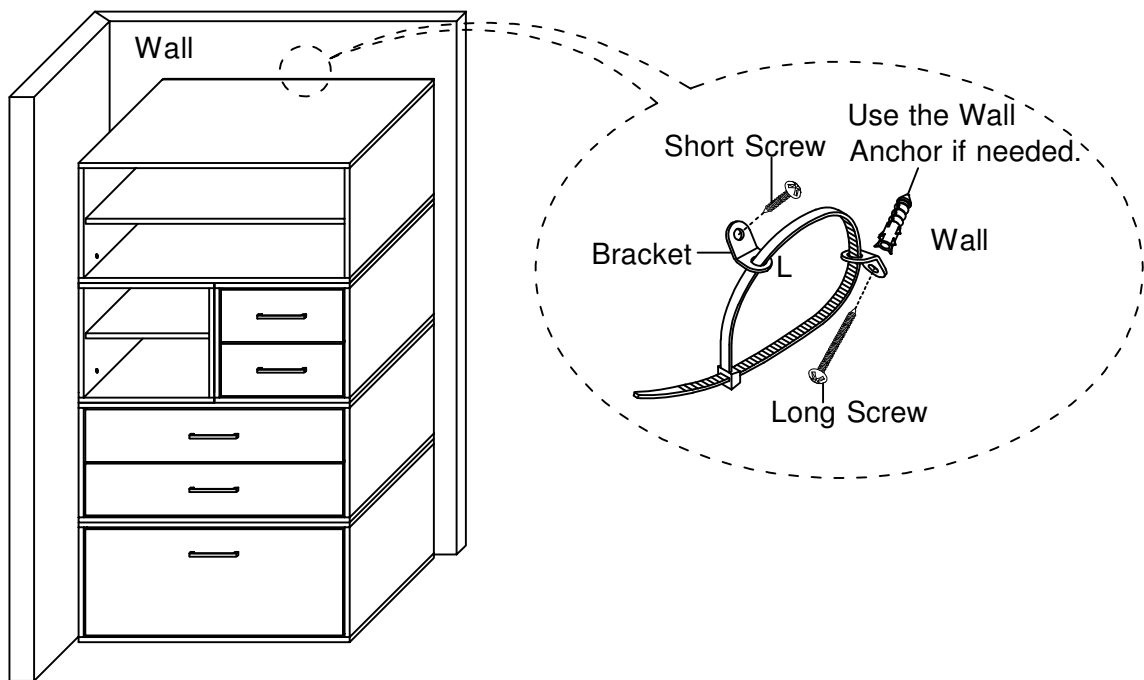
Take out the Shelf Panel (C). Attach Top Panel (A) to the other cube using Panhead Screw (K) with screwdriver (not provided). Ignore this step if this cube is placed on the top.



---

**7**

Attach Anti-tipping Kit (L) to wall. Attach bracket (vertically) to wall using the long screw provided. Attach bracket (vertically) to furniture back (directly below top) with short screw. Place bracket as close to center of furniture back as possible in relation to wall stud and the desired position in the room. Move furniture to its final position. Thread the strap through bracket, and pull it tight.



---

### Cleaning & Care

Treat surfaces with care. Surfaces are resistant to scratches but are not scratch resistant. Clean surfaces with a dry or damp soft cloth. Do not use abrasive cleaners. Hardware may loosen over time. Periodically check that all connections are tight.