

Student Desk



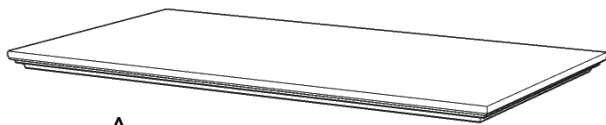
IMPORTANT

Carefully remove all the parts from the carton and place them individually on a soft cloth to prevent scratches or other damage.

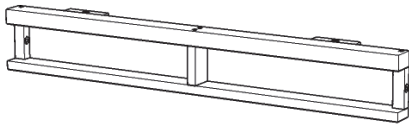
Carefully and strictly follow these assembly instructions to ensure a completed product as designed.

Do not use power tools above 8 volts to assemble.

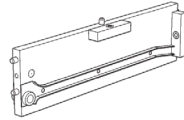
Part List



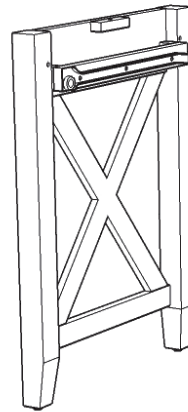
A.
Top
1 pc.



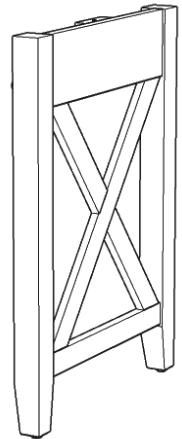
D.
Front Frame
1 pc.



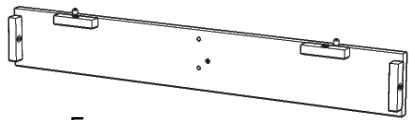
E.
Divider
1 pc.



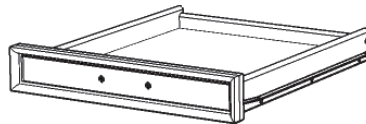
B.
Side Frame
1 pc.



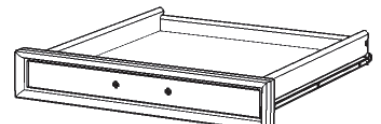
C.
Side Frame
1 pc.



F.
Back Panel
1 pc.



H.
Drawer
1 Pc.



I.
Drawer
1 Pc.



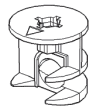
G.
Stretcher
1 pc.

Refer to later page(s) of these instructions for drawer assembly.

Hardware List



Hex Wrench
1 pc.



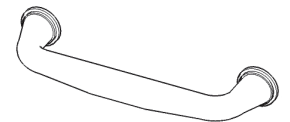
Cam Lock
1 pc. (+2 extra)



M6x30
Head Cap Bolt
12 pcs. (+1 extra)



M6x32
Flat Head Screw
2 pcs. (+1 extra)



Handle
2 pcs.



Small Hex Wrench
1 pc.



Cam Lock Screw
1 pc. (+1 extra)



M3.5x25
Wood Screw (long)
8 pcs. (+1 extra)



M3.5x16
Wood Screw
12 pcs. (+1 extra)



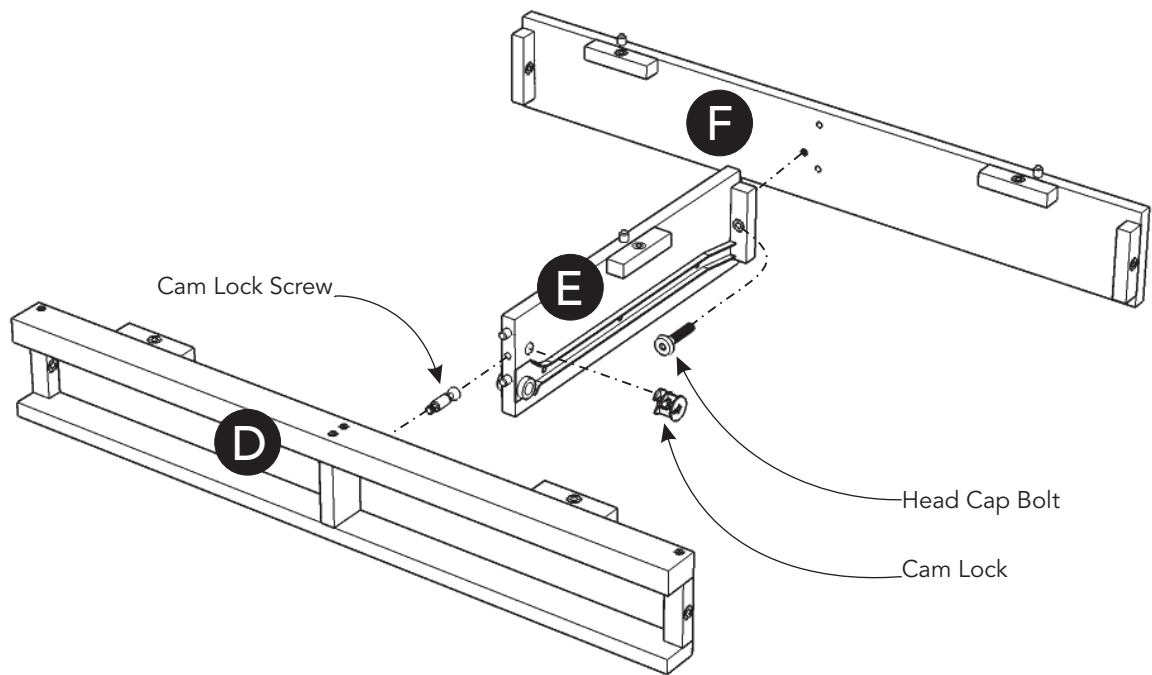
M4x25
Machine Screw
4 pcs.

Tool(s) required for assembly: Phillips screwdriver

Assembly Instructions 2/6

IMPORTANT

- Use a soft cloth between these parts and the floor.
- Do not use power tools above 8 volts to assemble.
- Do not tighten all the bolts until each part is properly assembled.
- The unit must be level to work properly. Use the included adjustable levelers to level.
- Keep Hex Wrench as the bolts may need to be tightened in the future.



STEP 1

Insert Cam Lock Screw into pre-drilled hole in Front Frame (D). (See Figure 1)

Attach Divider (E) to Front Frame (D) with Cam Lock. (See Figure 2)

Attach Back Panel (F) to unit with Head Cap Bolt. (See Figure 3)

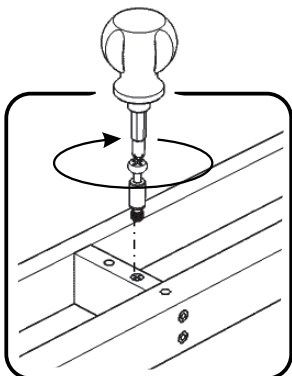


Figure 1

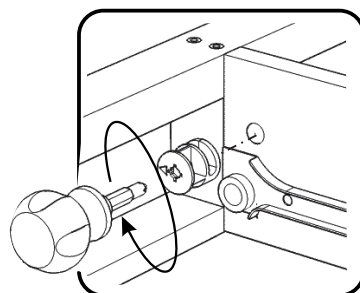


Figure 2

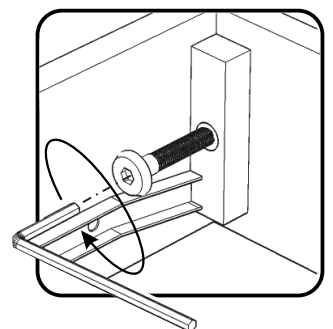


Figure 3

Assembly Instructions 3/6

STEP 2

Place Top (A) upside down on a soft cloth.

Attach unit to Top (A) with Head Cap Bolts, tightening bolts only halfway.

Tighten all bolts.

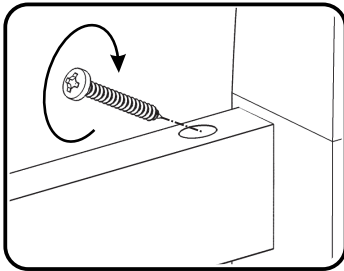
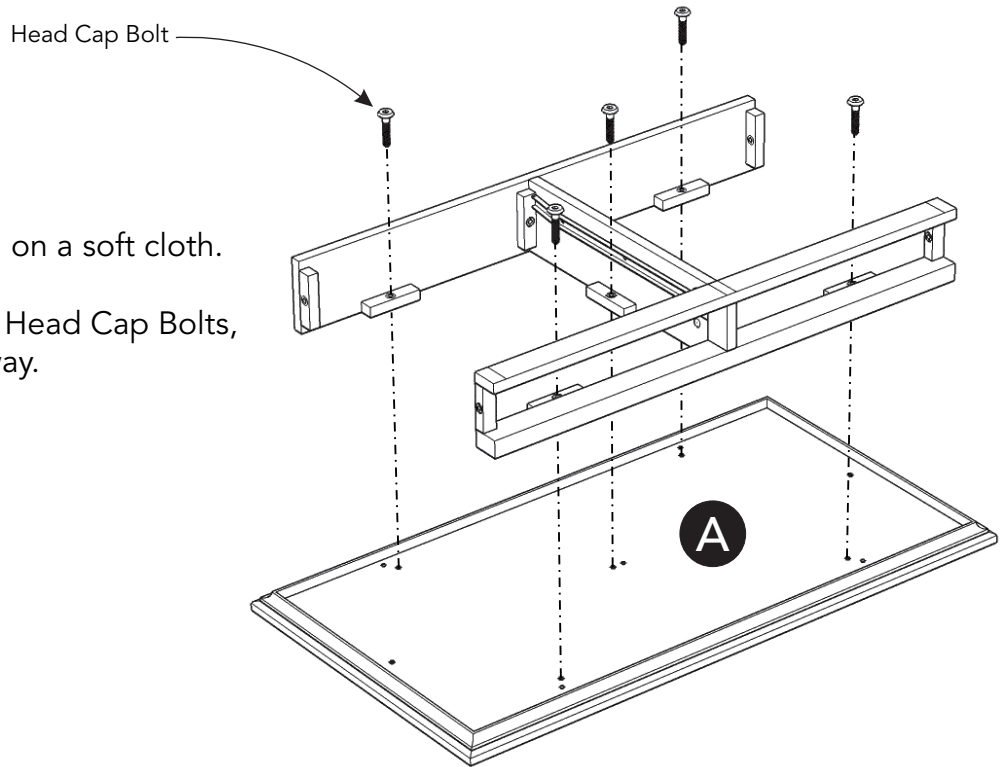
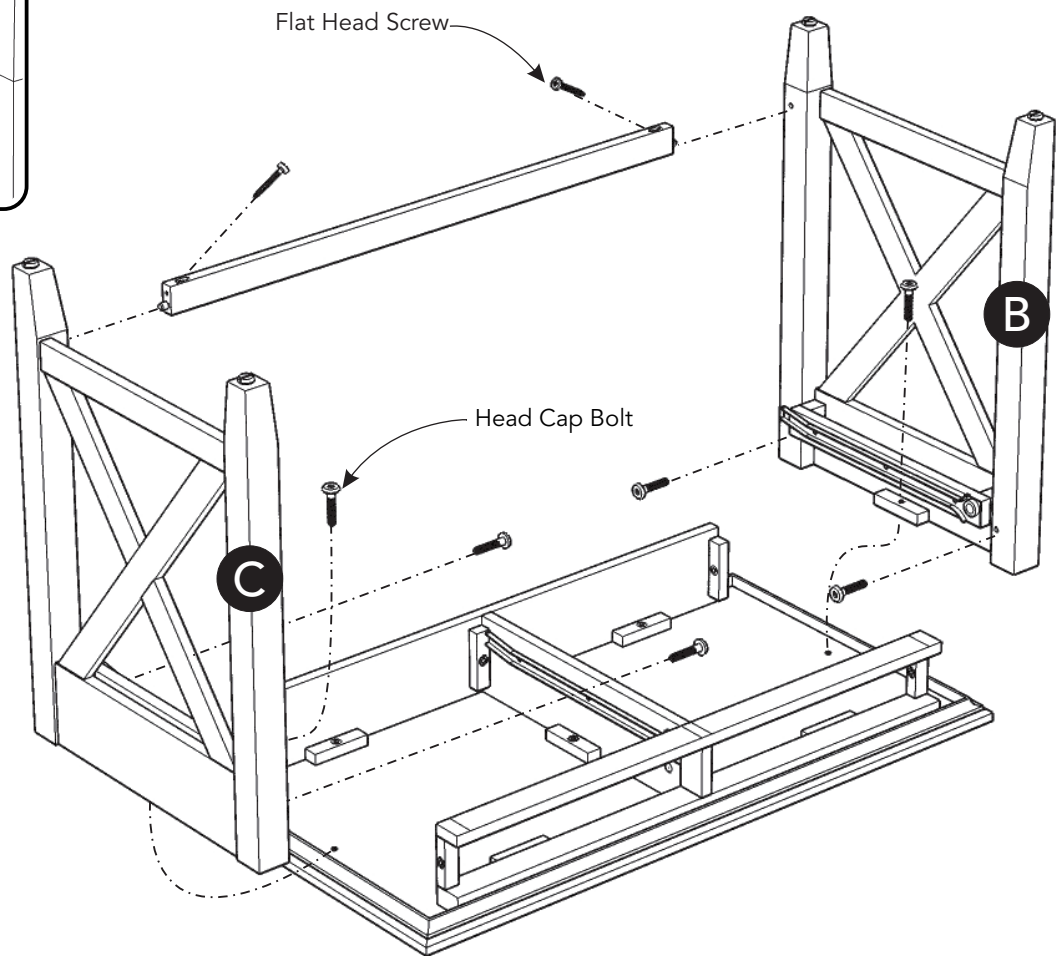


Figure 4



STEP 3

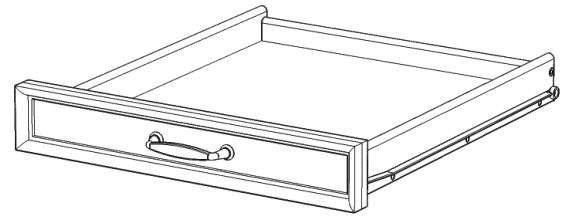
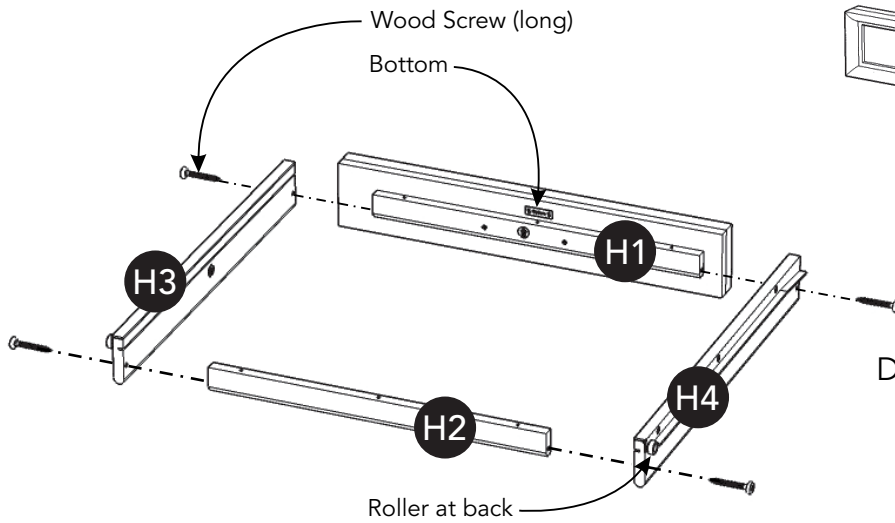
Attach Side Frames (B) and (C) to unit with Head Cap Bolts, tightening bolts only halfway.

Attach Stretcher (G) to unit with Flat Head Screws. (See Figure 4)

Tighten all bolts.

Assembly Instructions 4/6

Drawer (H)



STEP 4

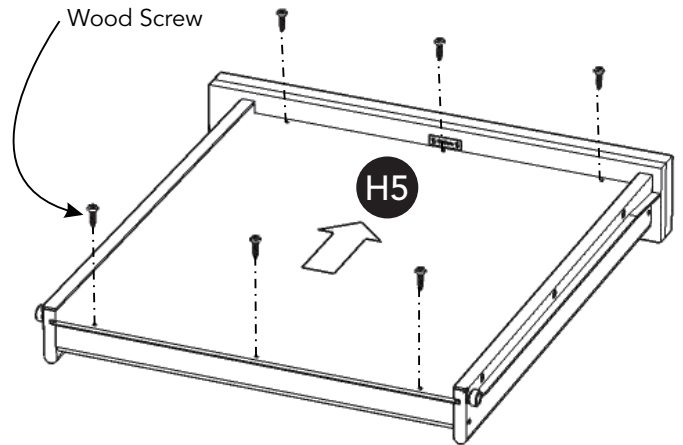
Attach Drawer Front (H1) and Drawer Back (H2) to Drawer Side (H3) with Wood Screws (long).

Attach Drawer Side (H4) to unit with Wood Screws (long).

STEP 5

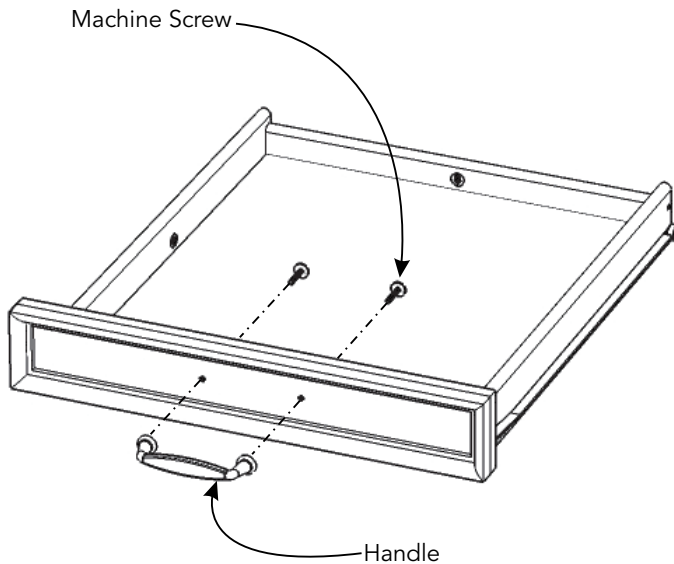
Slide Drawer Bottom (H5) into groove.

Attach Drawer Bottom (H5) to unit with Wood Screws.

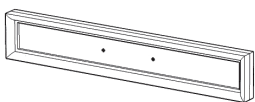


STEP 6

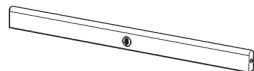
Attach Handle with Machine Screws.



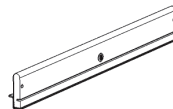
Part List



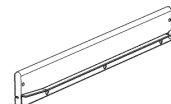
H1.
Drawer Front
1 pc.



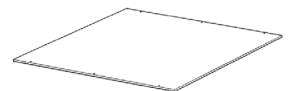
H2.
Drawer Back
1 pc.



H3.
Drawer Side
1 pc.



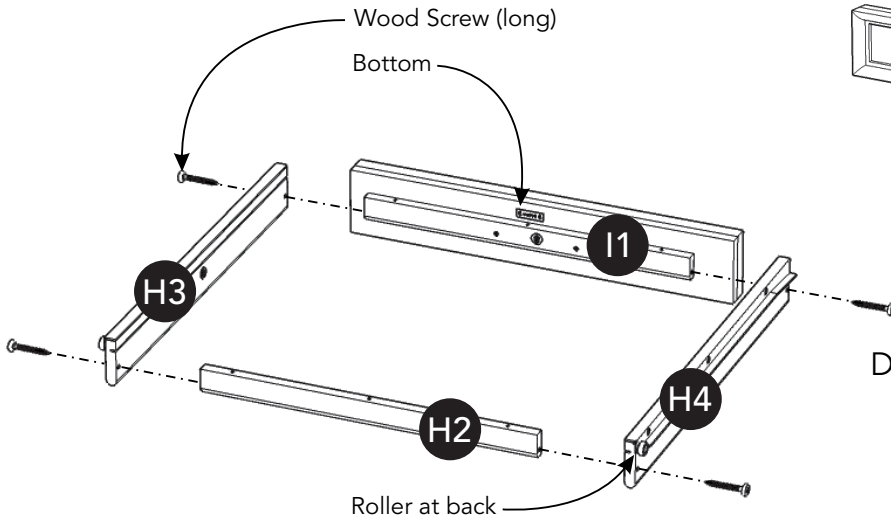
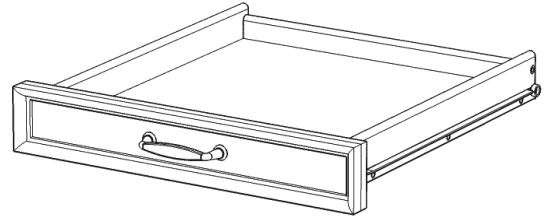
H4.
Drawer Side
1 pc.



H5.
Drawer Bottom
1 pc.

Assembly Instructions 5/6

Drawer (I)



STEP 7

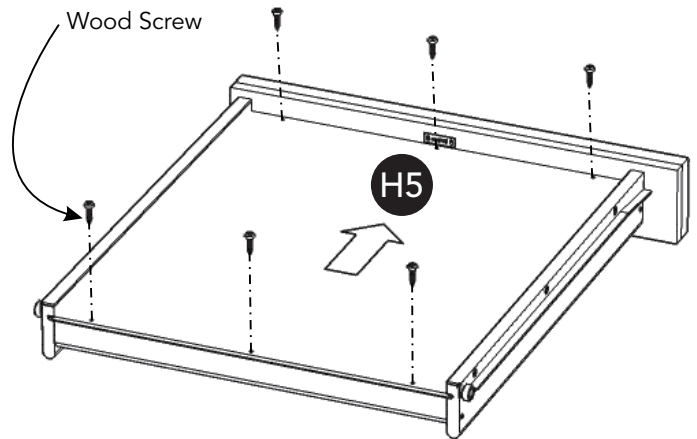
Attach Drawer Front (I1) and Drawer Back (H2) to Drawer Side (H3) with Wood Screws (long).

Attach Drawer Side (H4) to unit with Wood Screws (long).

STEP 8

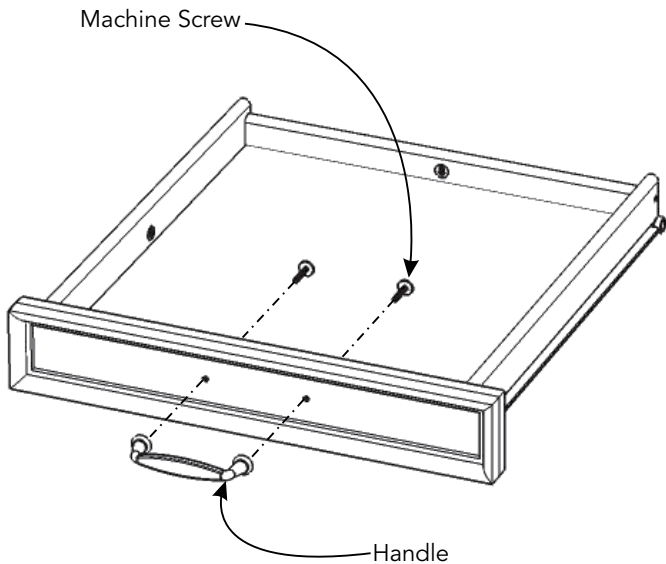
Slide Drawer Bottom (H5) into groove.

Attach Drawer Bottom (H5) to unit with Wood Screws.

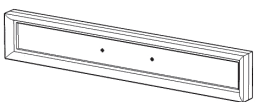


STEP 9

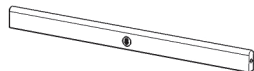
Attach Handle with Machine Screws.



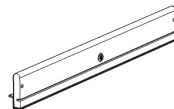
Part List



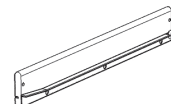
I1.
Drawer Front
1 pc.



H2.
Drawer Back
1 pc.



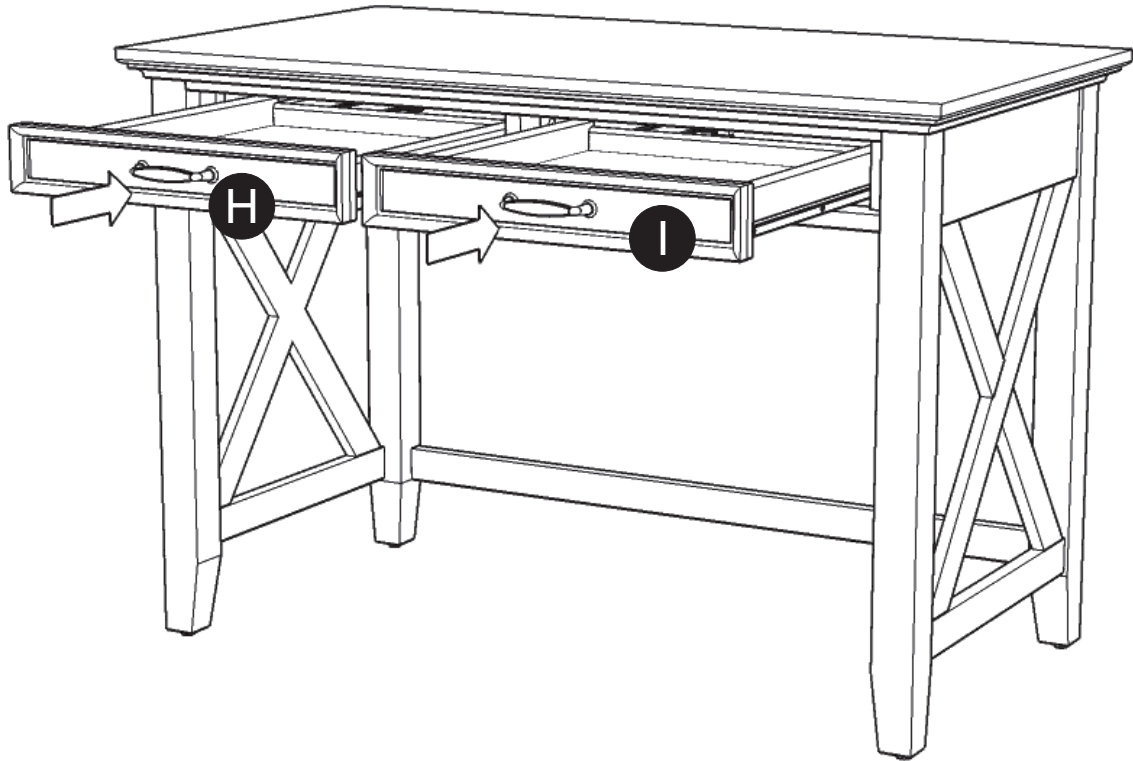
H3.
Drawer Side
1 pc.



H4.
Drawer Side
1 pc.



H5.
Drawer Bottom
1 pc.



STEP 10

Turn unit to its upright position.

Slide Drawers (H) and (I) into position.

Level unit by adjusting the adjustable levelers on bottom of unit.
(See Figure 5)

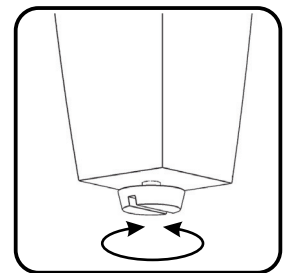


Figure 5

CARE INSTRUCTIONS

NEVER

allow liquids to remain on furniture.
Absorption causes parts to warp
and split and finishes to delaminate.

NEVER

use glass cleaners on
finished furniture. Ammonia
chemically attacks the finish.



Do not use power tools
above 8 volts to assemble.
**PREVENT
CRACKING**



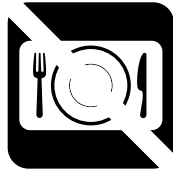
Do not place
in direct sunlight.
**PREVENT
FADING**



Do not write
directly on surface.
**PREVENT
MARKING**



Do not place hot
objects on surface.
**PREVENT
FINISH DAMAGE**



Do not use rubber
based placemats.
**PREVENT
DISCOLORING**



Do not use commercial
waxes and polishes.
**PREVENT
YELLOWING**

CLEAN

with a soft cloth moistened
in lukewarm soap and water.
Buff with a dry clean cloth.



Home Styles will provide replacements free of charge for missing or damaged hardware or parts within 30 days of purchase. Digital images of the defective parts may be required. If the product was not purchased from an authorized retail affiliate, Home Styles is under no obligation to provide replacement parts. Parts are not available for fully assembled items nor are parts available for sale. Replacements for missing or damaged hardware or parts may be requested at:

www.homestyles-furniture.com/customer-service/replacement-parts

Home Styles Customer Service: www.homestyles-furniture.com,
servicedesk@homestyles-furniture.com, 888-680-7460, 877-831-0319