


# SAVANT

## Relay Module with Three Aux Relays Quick Reference Guide

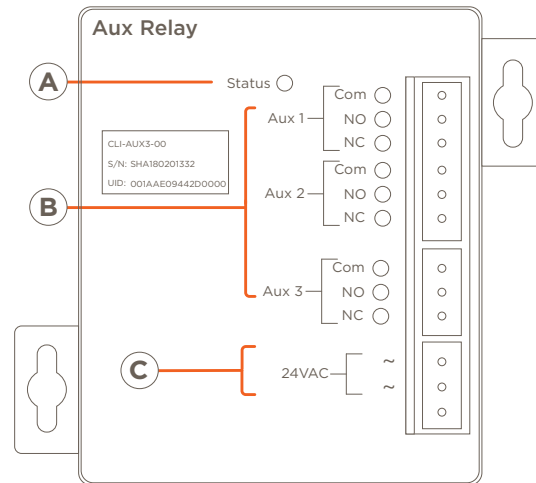
### Box Contents

- (1) HVAC Auxiliary Relay Module - (CLI-AUX3)
- (2) 3 Position Screw Down Plug-In Terminal Block (028-0736)
- (1) 6 Position Screw Down Plug-In Terminal Block (028-0737)
- (1) 6 Position Screw Down Plug-In Terminal Block (028-9352)
- (1) Product and Regulatory Insert (009-1705)

### Specifications

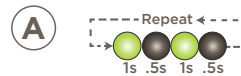
Environmental				
Temperature	32° to 104° F (0° to 40° C)			
Humidity	10% to 90% Relative Humidity (non-condensing)			
Dimensions and Weights				
	Height	Width	Depth	Weight
CLI-AUX3	3.77 inch (9.58 cm)	3.16 inch (8.03 cm)	.91 inch (2.3114 cm)	< 1 lbs (< .5 kg)
Shipping	6.25 inch (15.88 cm)	4.8 inch (12.19 cm)	1.25 inch (3.18 cm)	< 1 lbs (< .5 kg)
Power				
Input Power	24V AC (19.2 - 28.8V AC)			
Max Current Draw	.1 amps (rms)			
Maximum Wiring Distances				
RS-485	Up to 1000 feet (304.8 meters) cumulative.			
	#24 AWG - 20 feet (6.10 meters)			
	#20 AWG - 57 feet (17.37 meters)			
Power	#18 AWG - 90 feet (27.43 meters)			
	#16 AWG - 143 feet (43.59 meters)			
	#14 AWG - 228 feet (69.49 meters)			
Regulatory				
Safety and Emissions	FCC Part 15			
				
Contains FCC ID:	2AEHU-MESHTEK-H52			
Contains IC:	20059-MESHTEK52			
RoHS	Compliant			
Minimum Supported Release				
Climate Config App	Version 1.1.2			

### Top Panel



#### Blinking Green

Communications with thermostat is not established (RS-485). Once power is applied, it can take up to 20 seconds to establish communications.



**HELPFUL!** If communications was established and subsequently lost, the LED will stay solid for about 1 minute before it starts blinking.

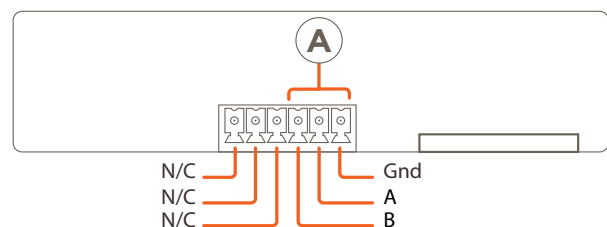
#### Solid Green

RS-485 communication is established and the module is communicating with thermostat.

**Aux 1-3 Relay Inputs** - Each Auxiliary port (Aux 1, Aux 2, Aux 3) contains a relay that can toggle between a normally open and normally closed terminal. These relays can be used to control external equipment such as a vent damper, humidifier, or dehumidifier. See the [Auxiliary Relay Connections](#) section on next page for wiring examples.

**24V AC input** - Connect 24V AC from HVAC transformer or similar to power the module. Input power is an AC signal so polarity is not observed.

### Left Side Panel

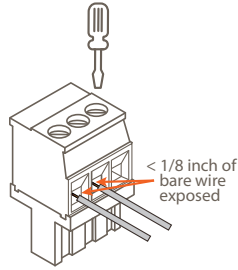


**RS-485 port** - As shown in the image above, the right three pins connect to the RS-485 ports in thermostat. No connections are made to the leftmost 3 pins. Refer to the [RS-485 Connections](#) diagram for more information on wiring.

## Making Connections

When making connections, follow the guidelines set below to ensure a safe and secure connection.

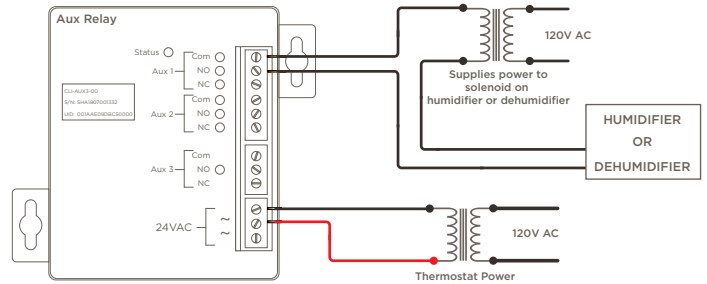
1. With a small slotted screwdriver, turn the screws on the connector counterclockwise (CCW) until the silver crimps open enough to slide a wire into the square slots.
2. Strip back insulation on each wire to 1/4 inch and insert the stripped wire into the proper connection.
3. Turn the screw clockwise (CW) until the crimps tighten around each wire. Tug on each wire a bit to verify they are secure.



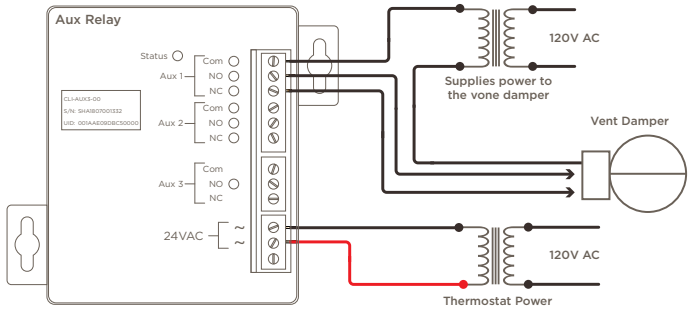
## Auxiliary Relay Connections

Use the diagrams below when making connections to a piece of equipment such as a humidifier, dehumidifier, or external vent damper.

### Humidifier or Dehumidifier

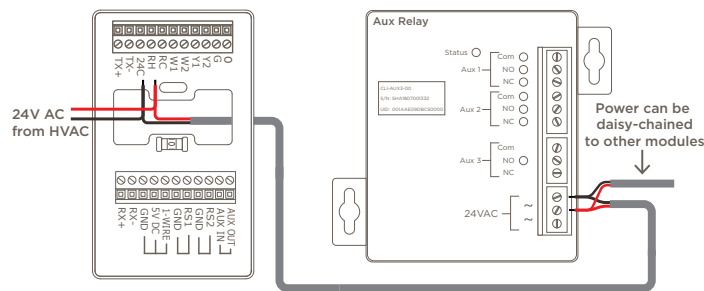


### External Vent Damper



## Power Connections

Use the diagrams below when making the power connections between the thermostat and CLI-AUX3 climate module.

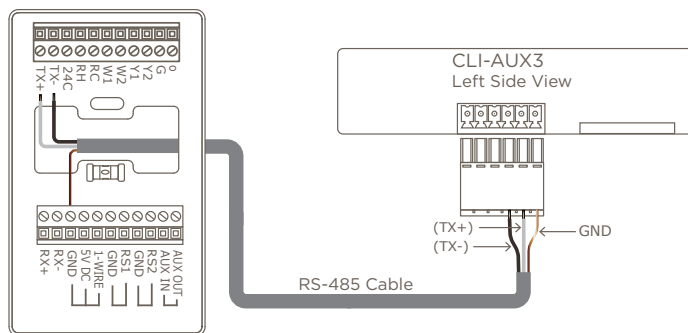


- Power can be daisy-chained between modules.
- The cable lengths vary depending on the size of the wire. See the specifications table on page 1 for more information.

- The diagrams above use Aux 1 connections. Wiring of the Aux 2 and Aux 3 ports are the same.
- The auxiliary relay does not have a voltage connected to it. Therefore an external source connected in series with the equipment is required.

## RS-485 Connections

Use the diagrams below when making the RS-485 connections between the thermostat and CLI-AUX3 climate module.



- Max cable length is 1000 feet (304.8 meters).
- Savant recommends using standard RS-485 cable for wire runs.

## Additional Information

Refer to the following documents located on the **Savant Customer Community** for additional information.

- Multistat Smart Thermostat Deployment Guide (009-1636)
- Multistat Thermostat with Touchscreen QSG (009-1593)