

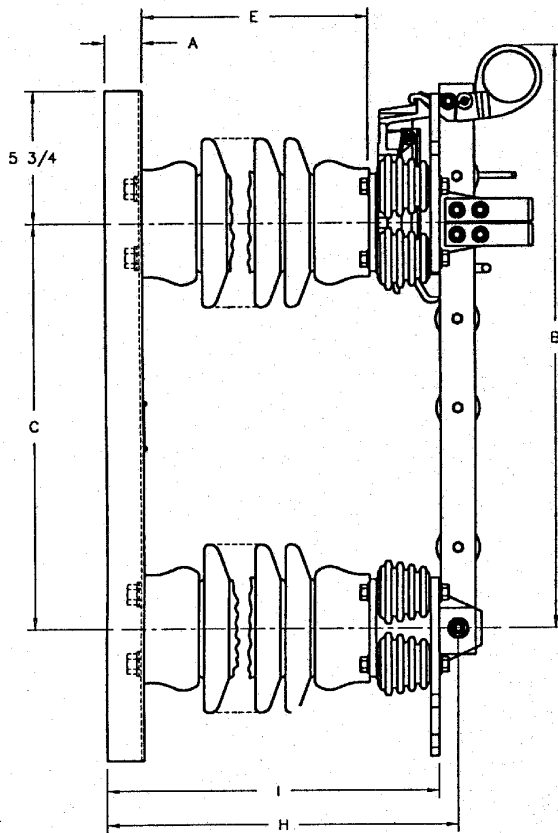
Table 11. Dimensions and Ordering Information

Ratings							Dimensions (inches), Reference Only										Approx. Weight (lbs.)
Catalog Number	Description	Base Type	Max. kV	BIL kV	Cont. Amps	*Mom. kA	A	B	C	D	E	F	G	H	I	J	
125820-20 125830-20	w/Arcruptor w/Snaphorn	HB-65	8.3	95	600	40/30	1.63	19.25	12	23.13	7.5	21	24	13	12.25	4	79
125840 125860	w/Arcruptor w/Snaphorn	HC-65					1.75	19.25	12	23.13	9	22.5	-	13	12.25	-	
125821-20 125831-20	w/Arcruptor w/Snaphorn	HB-65	15.5	110	600	40/30	1.63	22.25	15	26.13	10	24	27	15.5	14.75	4	97
125841 125861	w/Arcruptor w/Snaphorn	HC-65					1.75	22.25	15	26.13	9	25.5	-	15.5	14.75	-	
125822-20 125832-20	w/Arcruptor w/Snaphorn	HB-65	25.8	150	600	40/30	1.63	25.25	18	29.13	14	26.5	29.5	19.5	18.75	4	128
125842 125862	w/Arcruptor w/Snaphorn	HC-65					1.75	25.25	18	29.13	12	28.5	-	19.5	18.75	-	
125853-20	w/Snaphorn	HB-65	38	200	600	40/30	1.75	31.25	24	35.13	18	33	36	23.63	22.88	5	175
125863	w/Snaphorn	HC-65					1.75	31.25	24	35.13	18	34.5	-	23.63	22.88	-	

* Disconnect Blades/Bypass Blades

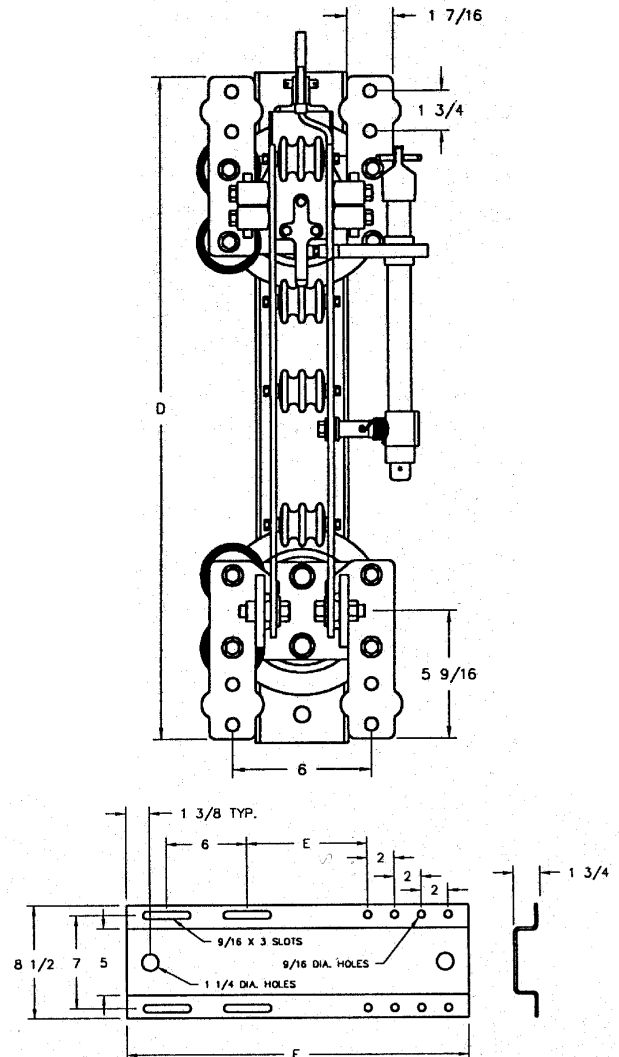
Catalog Number Suffix Nomenclature
 C = Captive terminal bolts 1.75" long, stainless steel
 D = Bridge connector holes
 E = Bridge connectors on terminals

I = Inverted insulators for overhead use
 P = Parallel groove clamp, bronze
 Y = Cycloaliphatic insulators
 BASE-LP = Live parts kit
 BASE-BXX = Special base number



TYPE HB-65 BASE

NOTE: UNIT SHOWN WITH ARCRUPTOR



TYPE HC-65 BASE

www.eaton.com/cooperpowerseries