



VACUUM SUCTION CUP

USER MANUAL



HOLDING POWER*

VSC001

* When used on clean, smooth, non-porous surfaces

A QUALITY BRAND OF
QEP



Safety First

WARNING!

Read manual before use. Always wear Vitrex Protective Equipment when using hand or power tools.



OPERATION

Make sure that the surface you are using the suction cup on is free from debris, water, oil and adhesive.

Remove protective cover from suction cup surface

Pump the plunger until the red line completely disappears from sight.

During use check that the red line on the plunger is not visible. If it is, immediately place object on a solid surface and re-pump the plunger.

To release suction cup, push the release valve located on the opposite end of the plunger or pull up the release tab on the face of the suction cup.

MAINTENANCE

Vacuum Suction Cup should always be stored with the protective cover. Make sure to clean the suction cup surface with a clean sponge or lint free towel, making sure not to get any liquid into the filter. Store in a dry and clean environment inside the protecting case.

WARNINGS

Do not use for materials that exceed the load limit.

Do not use on rough surfaces or materials that can damage the sealing edge of suction cup.

Avoid surfaces with any debris, oil, water, or adhesives.

Do not use if red line is showing.

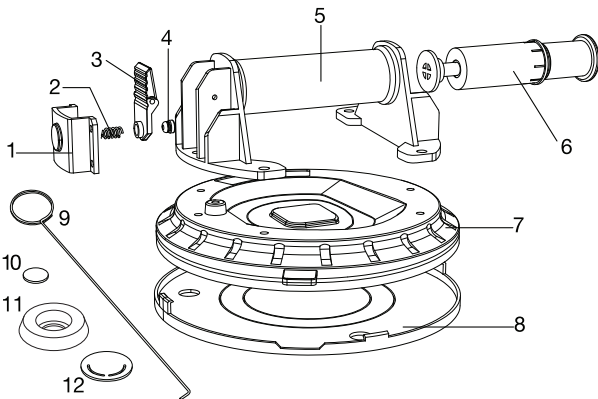
Do not allow the plunger section to be blocked which could prevent warning the user of suction loss.

Do not push the release valve while lifting a load with the suction cup. Always make sure the load is properly supported before disengaging suction.

Do not use chemicals or solvents to clean rubber suction cup as this can cause damage to the rubber and product failure.

PARTS LISTS

No.	Description
1	Release valve cover
2	Spring
3	Release valve lever
4	Release valve seal
5	Reinforced handle
6	Suction pump
7	Rubber suction pad
8	Dust cover
9	Hook tool for replacing gaskets
10	Dust Filter
11	Sealing ring
12	Gasket



099503984

Made in China