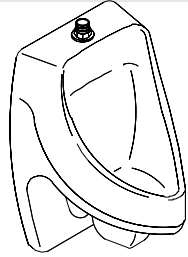


Installation Guide

Urinal

K-5016-ET, K-5016-ER



M product numbers are for Mexico (i.e. K-12345**M**)
Los números de productos seguidos de
M corresponden a México (Ej.
K-12345**M**)
Français, page “Français-1”
Español, página “Español-1”

1020642-2-A

THE BOLD LOOK
OF **KOHLER**®

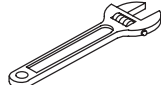
Tools and Materials



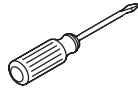
Safety Glasses



Tape Measure



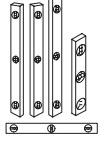
Adjustable Wrench



Screwdriver



Pencil



Levels



Sealant Tape

Plus:

- Hole Cutting Equipment

Thank You For Choosing Kohler Company

We appreciate your commitment to Kohler quality. Please take a few minutes to review this manual before you start installation. If you encounter any installation or performance problems, please don't hesitate to contact us. Our phone numbers and website are listed on the back cover. Thanks again for choosing Kohler Company.

Before You Begin

- Observe all local plumbing and building codes.
- Refer to local codes and manufacturer's instructions for flush valve requirements.
- Carefully inspect the new urinal for damage.

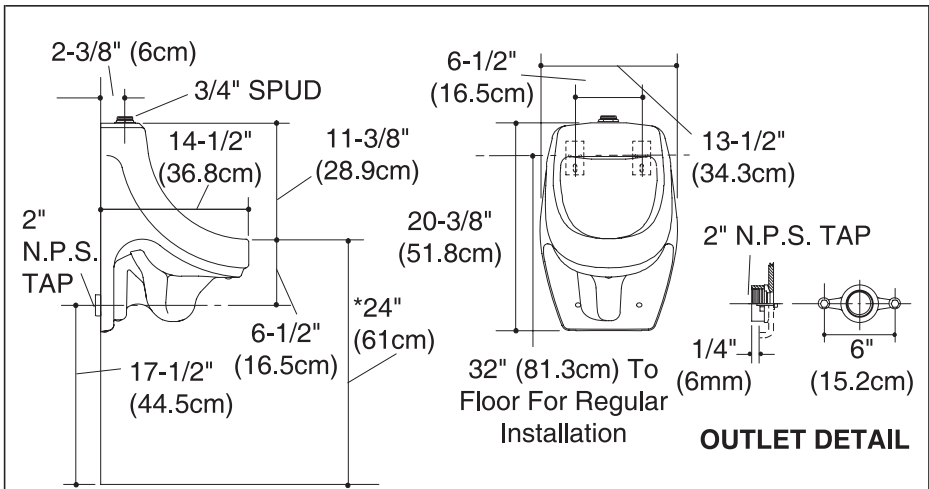


CAUTION: Risk of personal injury or product damage. Handle with care. Vitreous china can break or chip if the product is handled carelessly.

- Fixture dimensions are nominal and conform to tolerances by ANSI Standard A112.19.2M.

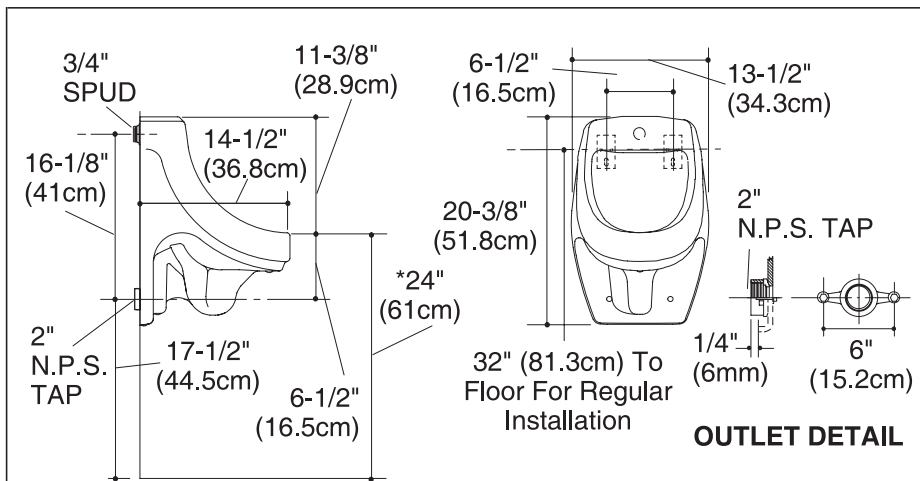
NOTE: Roughing-in remains the same when using the optional 3" outlet spud.

- Site preparation may require additional tools and hardware.



Roughing-In Dimensions (Top Spud)

- Roughing-In remains the same when using the optional 3" outlet spud.
- * The urinal complies with ADA requirements when the rim is mounted no higher than 17" (43.2cm) from the finished floor.

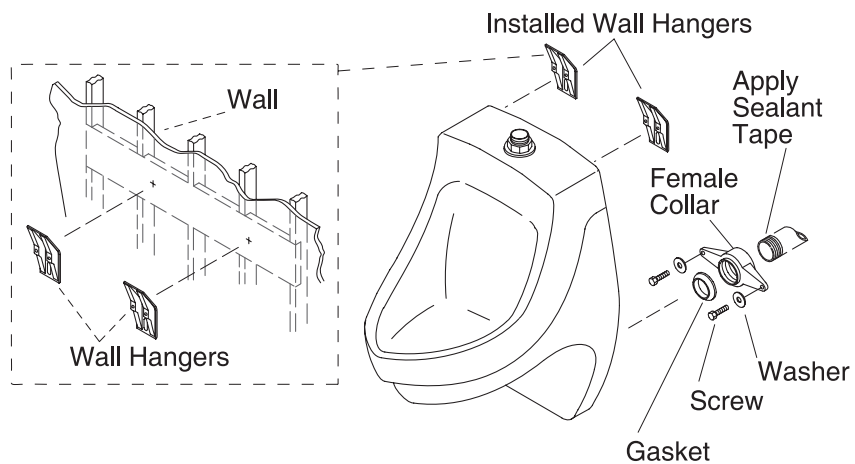


Roughing-In Dimensions (Rear Spud)

- Roughing-In remains the same when using the optional 3" outlet spud.
- * The urinal complies with ADA requirements when the rim is mounted no higher than 17" (43.2cm) from the finished floor.

1. Preparation

- Turn the water supply off.
- Install or relocate the supply tubing and waste pipe as necessary to conform to the roughing-in dimensions.
- Install the shut-off valve.
- Install adequate support framing as needed.



2. Install the Urinal

- Install the hangers according to the roughing-in illustration.
- Apply thread sealant tape to the pipe threads and install the female collar to the waste pipe.
- Place the gasket onto the female collar with the beveled surface facing away from the collar.



CAUTION: Risk of personal injury or product damage. Handle with care. Vitreous china can break or chip if the product is handled carelessly.

- Carefully position the urinal on the wall hangers.



CAUTION: Risk of product damage. Do not overtighten the screws.

- Secure the urinal to the female collar with the screws and washers.

3. Complete the Installation

- Install the flush valve according to the manufacturer's instructions.
- Connect the water supply and complete the waste pipe connections.
- Turn on the water supply.
- Flush and check the entire installation for leaks.
- Repair as needed.