

NOTE:

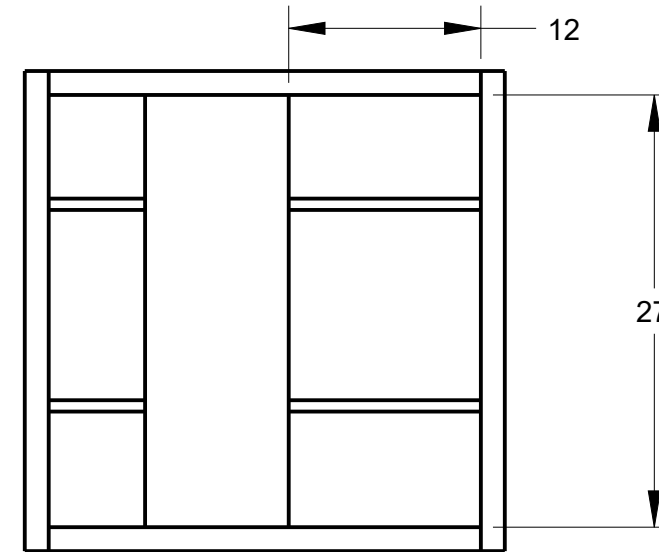
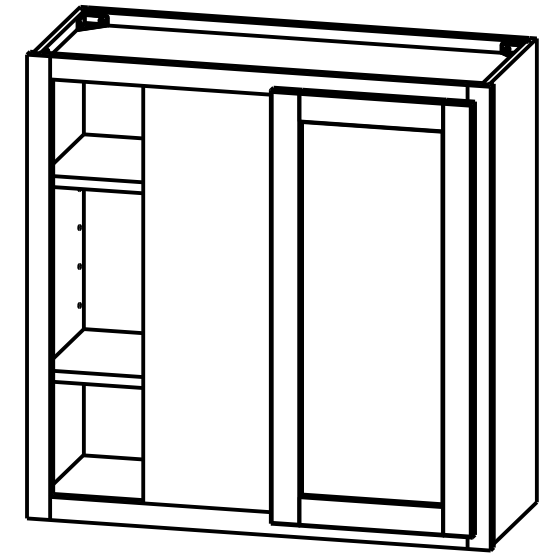
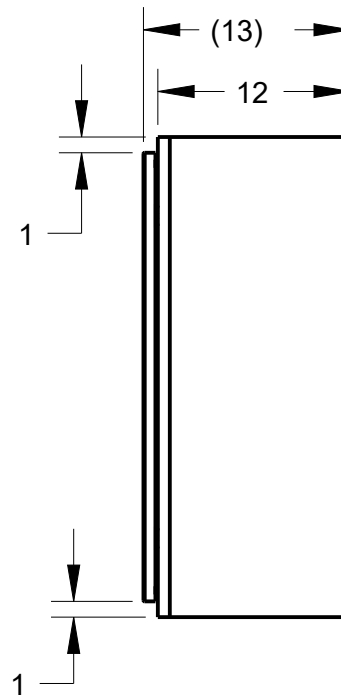
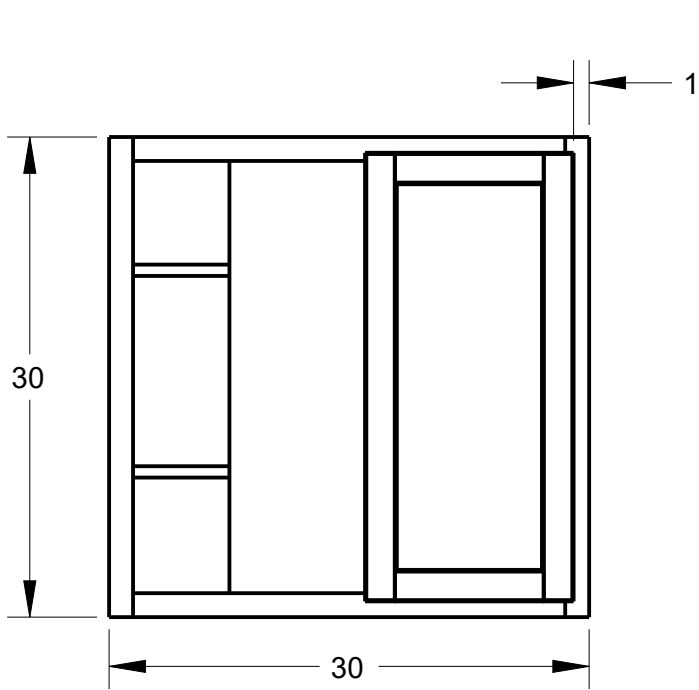
1 3" FILLER SOLD SEPERATELY.

2 OPEN DOOR VIEW INCLUDES HINGE SPACE OFFSET.

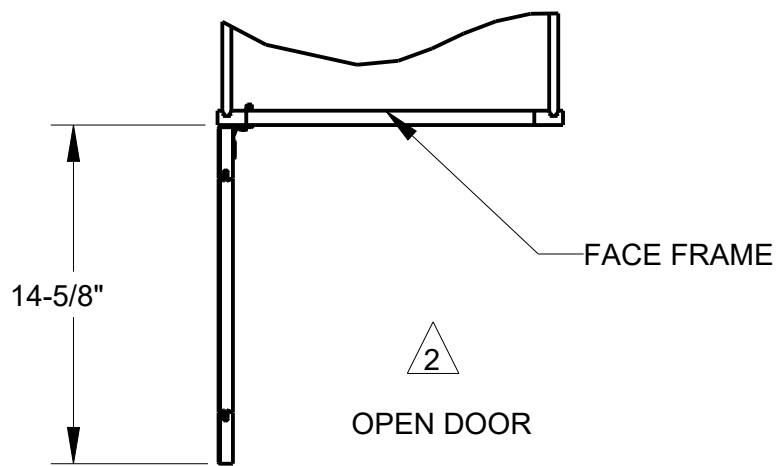
DOOR SIZE

ROUNDED TO THE NEAREST 1/32

13 1/32" X 28 1/32"



CABINET DOOR OPENING



FACE FRAME

OPEN DOOR

THIRD ANGLE PROJECTION



MATERIAL

FINISH

N/A

N/A

DRAWN BY
EDVIN GOLESTANYAN

DATE
04MAR2021

DESIGNED BY
NORTHPOINT

DATE

APPROVED BY
ANDY BROWN

DATE
07MAR2021

hardware resources

DESCRIPTION

WBC30-3330U HALF OVERLAY

DRAWING NUMBER
WBC30-3330U_HALF_OVERLAY

REV
A

SIZE
A3

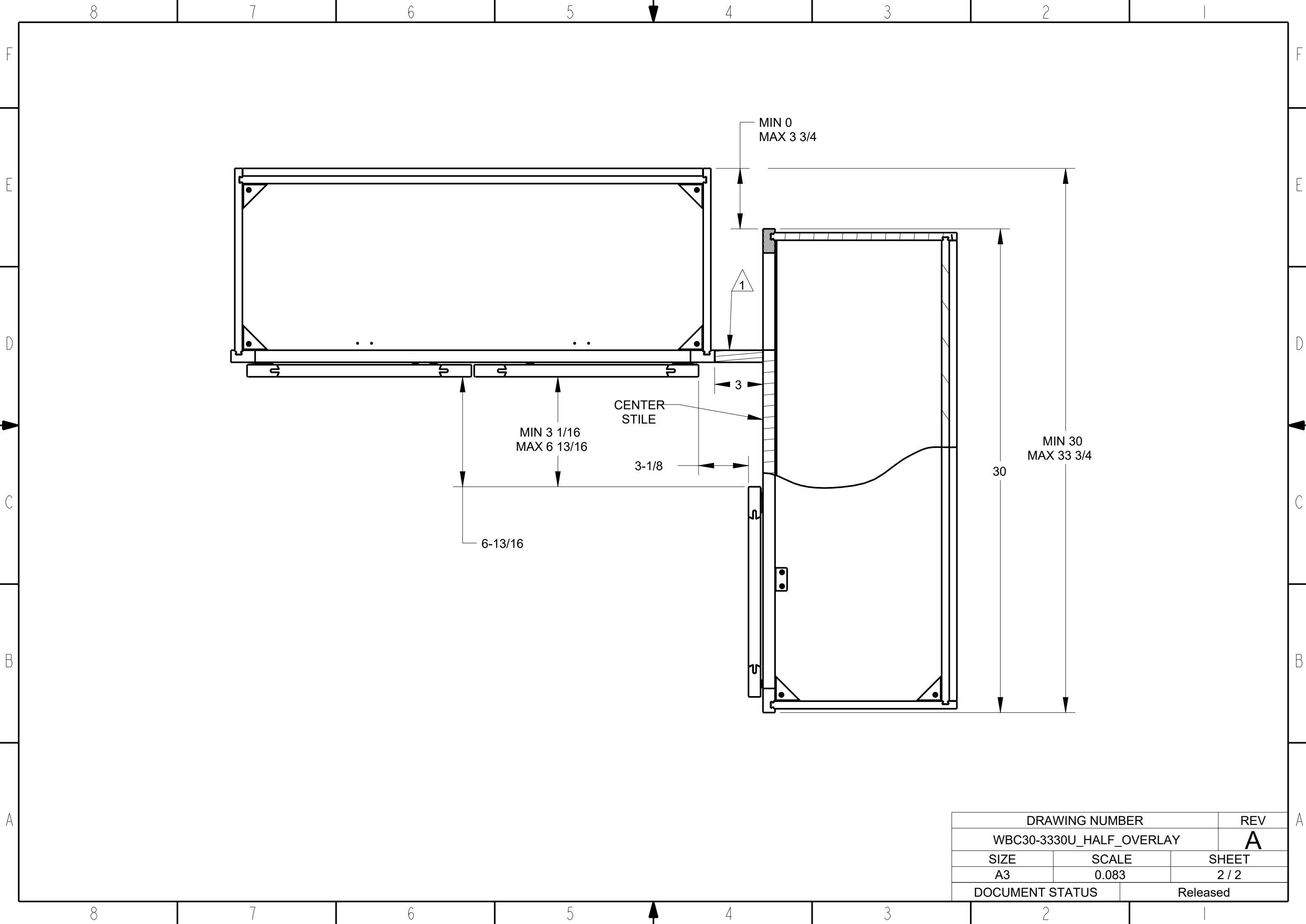
SCALE
0.083

SHEET
1 / 2

DOCUMENT STATUS Released

HARDWARE RESOURCES RESERVES THE RIGHT TO CHANGE SPECIFICATIONS WITHOUT NOTICE.
IN CASE OF A DISCREPANCY, ACTUAL PART GEOMETRY SUPERSEDES THIS DOCUMENT.

THE INFORMATION CONTAINED WITHIN THIS DRAWING IS THE SOLE PROPERTY OF HARDWARE RESOURCES INC. ANY REPRODUCTION IN PART OR WHOLE WITHOUT WRITTEN PERMISSION OF HARDWARE RESOURCES INC. IS PROHIBITED.



DRAWING NUMBER		REV
WBC30-3330U_HALF_OVERLAY		A
SIZE	SCALE	SHEET
A3	0.083	2 / 2
DOCUMENT STATUS		Released