

Features:

G0020020

Include Components:

- Combination G0020020
- Bowl G0021186
- Tank G0028186

- Vitreous China
- 12" Rough-in
- 3" flush valve for maximum water force
- Fluidmaster® 400A Fill Valve
- Corrosion-resistant rigid flapper
- Extra-Large Dual fed siphon jet for high power bowl clearing
- 100% glazed, 2" large trapway for clog-free waste removal
- Double nut, multi-point tank-to-bowl mounting system for tool-free installation
- Chrome metal tank lever with solid durable brass arm
- Color matched bolt caps included
- Soft-Closed, top-mounted toilet seat included G0099859



Technical Information:

| | |
|----------------------|---|
| Configuration | Two-piece, ErgoHeight™ ADA Elongated Toilet |
| Water per Flush | 1.28 gpf (4.8 Lpf) |
| Rough-In | 12" |
| Height | 29 7/8" |
| Width | 15" |
| Depth | 28 1/2" |
| Trapway | 2" |
| Large Water Surface | 8 11/16" x 6 5/16" |
| Shipping weight Bowl | 60.5 lbs |
| Shipping weight Tank | 23.3 lbs |

Accessories To Be Purchased Separately:

N/A

Other Tank Options: (To be purchased separately)

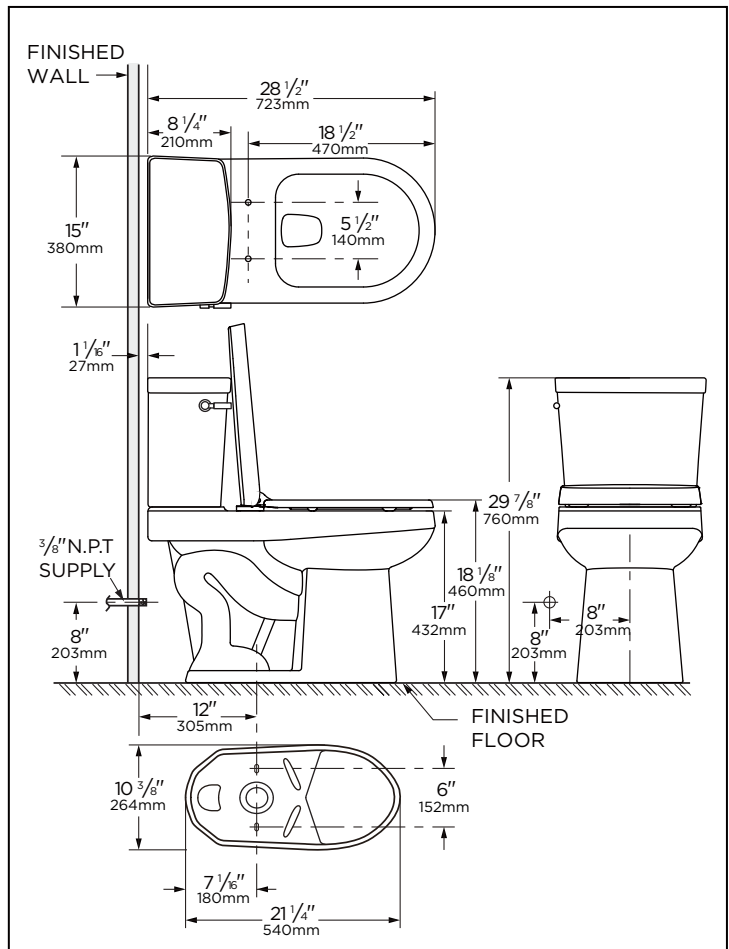
- Insulated Tank GLT28186

Available Colors:

- White
- Other: Refer to Price Book for additional colors/finishes

Warranty:

- Limited Lifetime on Vitreous China, refer to the website for more details.



NOTES: All dimensions are in inches and millimeters. Illustrations may not be drawn to scale.

IMPORTANT:

Dimensions of fixtures are nominal and may vary within the range of tolerances established by ASME standard A112.19.2/CSA B45.1 THIS FIXTURE QUALIFIES ACCORDING TO ASME TEST PROCEDURES AS A HIGH EFFICIENCY WATER CLOSET WITH AN AVERAGE CONSUMPTION OF 1.28 gpf (4.8 Lpf). WATER CLOSET CONSUMPTION IS DETERMINED BY THE TANK.