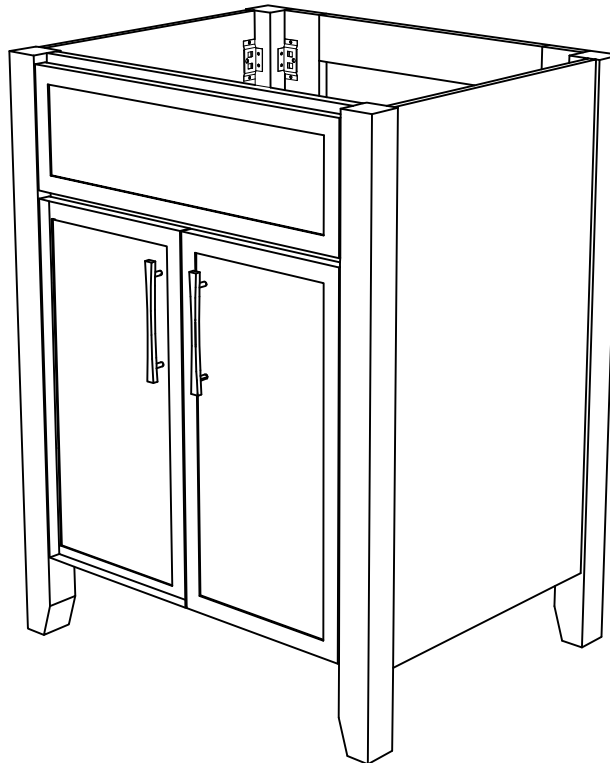




Part#: 228403-IO-RTA、 228411-IO-RTA、  
228429-IO-RTA、 228403-OTR-RTA、  
228411-OTR-RTA、 228429-OTR-RTA、  
228403-ROAK-RTA、 228411-ROAK-RTA、  
228429-ROAK-RTA

## ASSEMBLY INSTRUCTIONS

228403 228411 228429 Dawson  
Two Door Vanity Base Cabinet



## Unpacking Precautions

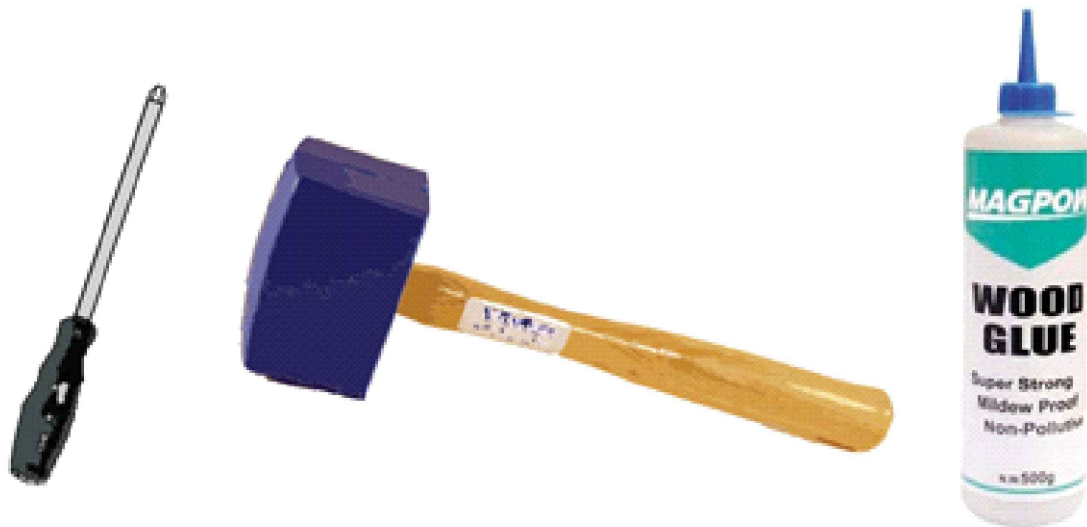
If using a sharp object to unpack the vanity components and the packing materials, be careful to avoid scratching or damaging the vanity components. The various packing materials may be used to protect the vanity components during assembly. During the unpacking process, place the various components away from and to the side of the work area so that they will not be inadvertently knocked over or otherwise damaged.

## Required Tools

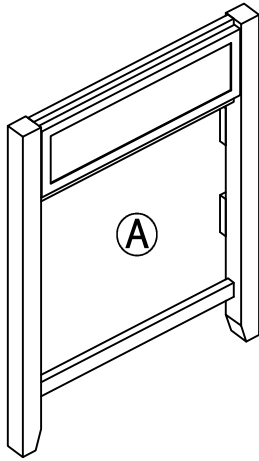
Phillips Screwdriver

Rubber Mallet

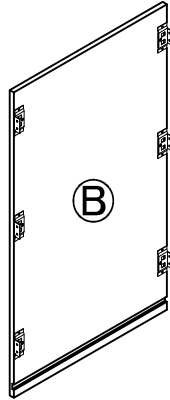
Wood Glue



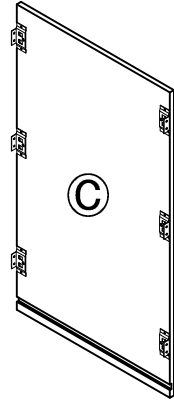
# PARTS LIST



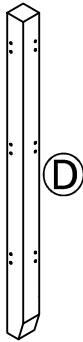
FRONT PANEL 1PC



LEFT SIDE PANEL 1PC



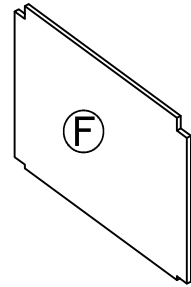
RIGHT SIDE PANEL 1PC



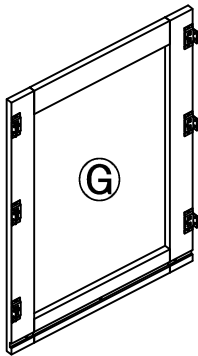
LEFT LEG 1PC



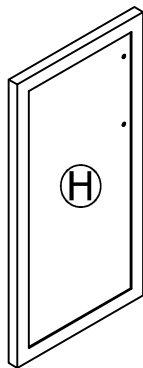
RIGHT LEG 1PC



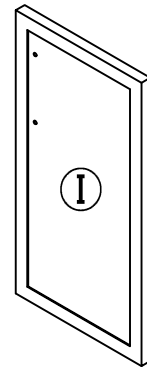
BOTTOM PANEL 1PC



BACK PANEL 1PC

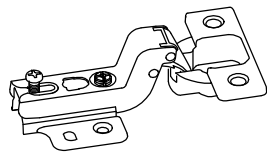


LEFT DOOR 1PC



RIGHT DOOR 1PC

# HARDWARE LIST



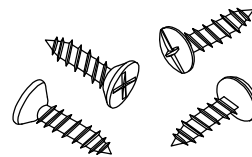
a. Door Hinge2



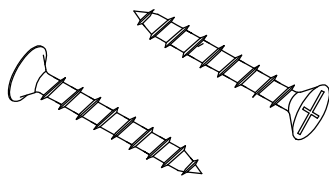
b. DOOR HANDLE 2PCS



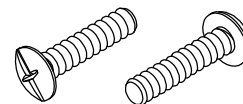
c. RUBBER BUMPER 4PCS



d. 1/2" FLAT (ROUND) HEAD SCREW 36PCS ROUND HEAD SCREW FOR ESPRESSO METAL CLIP ONLY



e. 1-1/8" 3 PCS FOR ATTACHING THE BACK PANEL TO THE BOTTOM PANEL

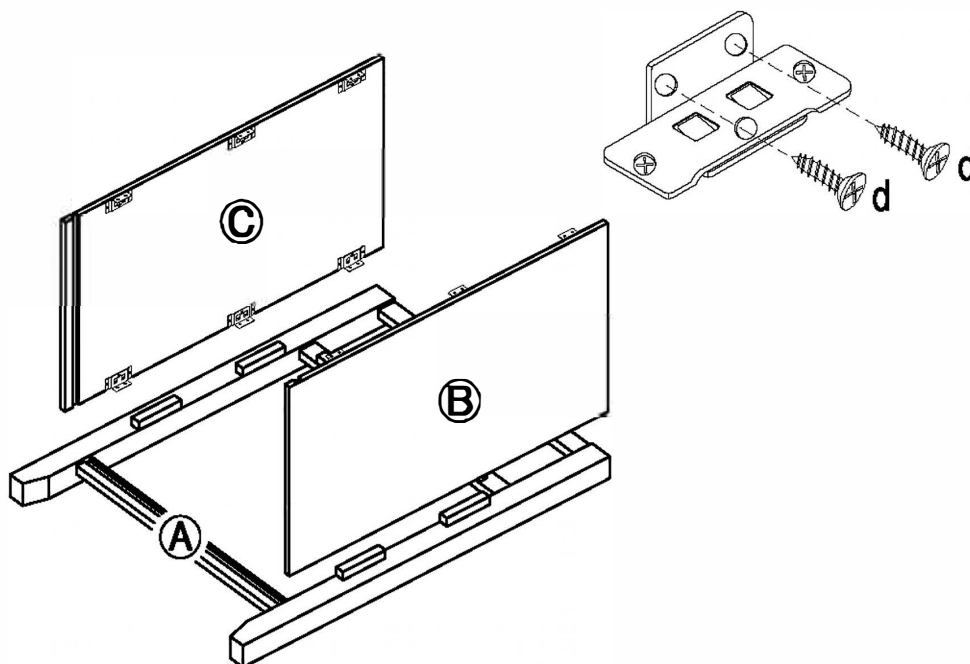


f. KNOB SCREW FOR DOOR 1" 2PCS

## STEP 1

Slide the Right side panel (C) into the groove of the face frame, and mount the male clip to the face frame with the screwdriver. Each male clip will need 2 small screws (d).

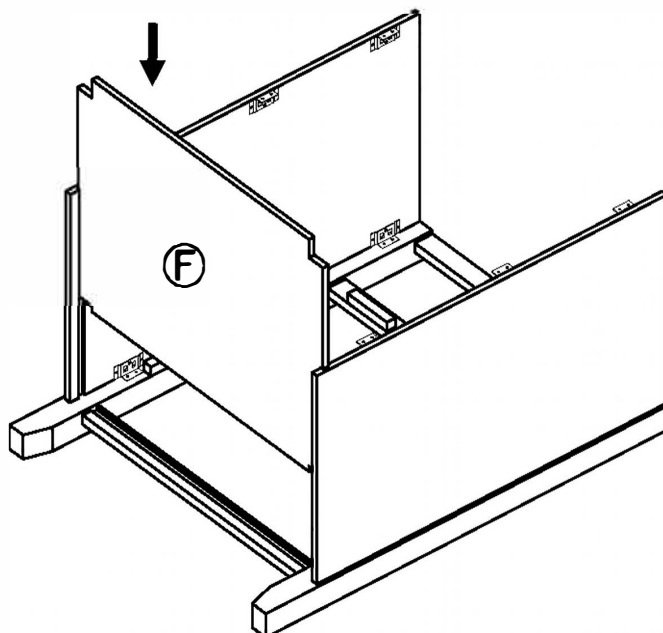
Slide the Left side panel (B) into the Left groove of the face frame, and mount the male clip to the face frame with a screwdriver. Each male clip will need 2 small screws (d).



★ Clips covered with black cap for shipping to prevent damage.

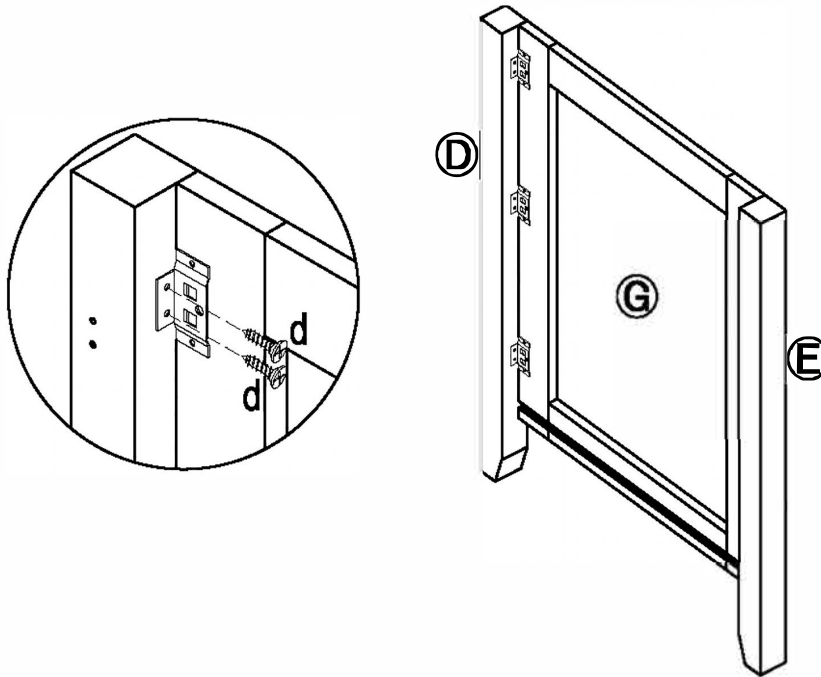
## STEP 2

Slide bottom panel (F) into the groove of the right and left side panels.



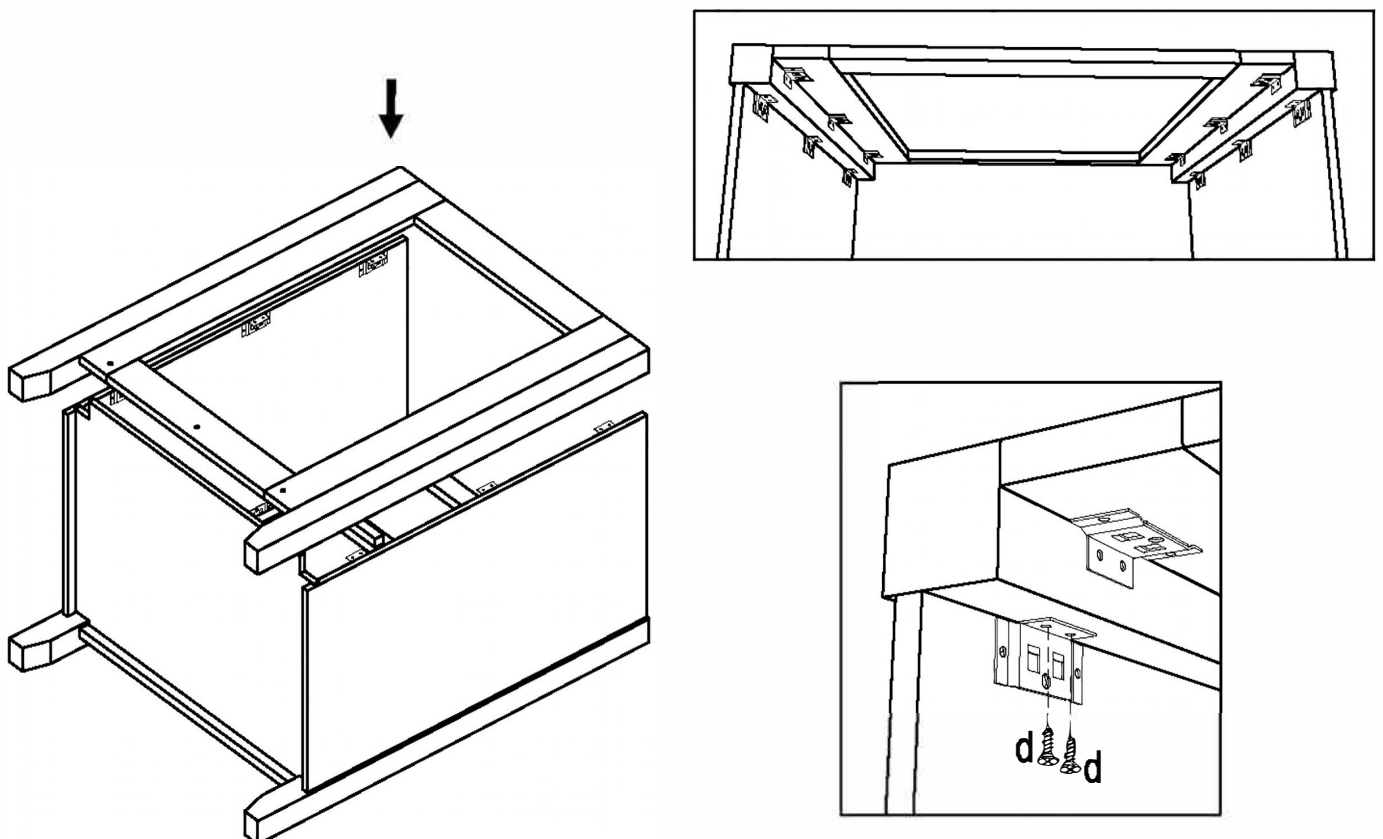
### STEP 3

Attach the two wooden legs (D) and (E) to the back panel (G) with screw "d".



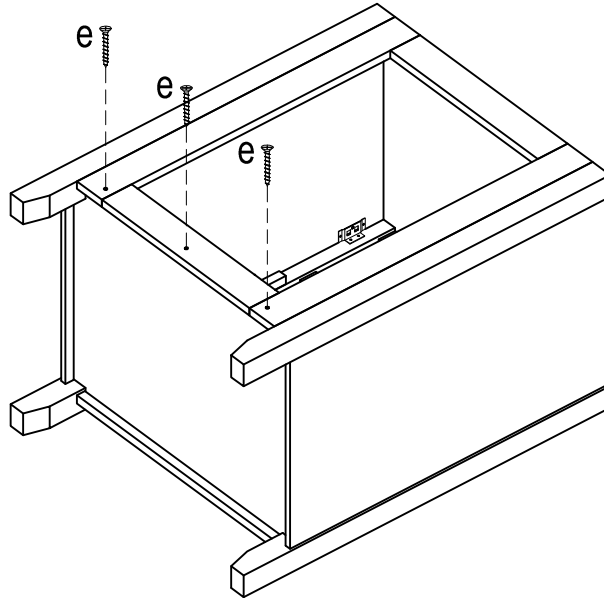
### STEP 4

Attach the whole back panel to the side panels with screw "d"



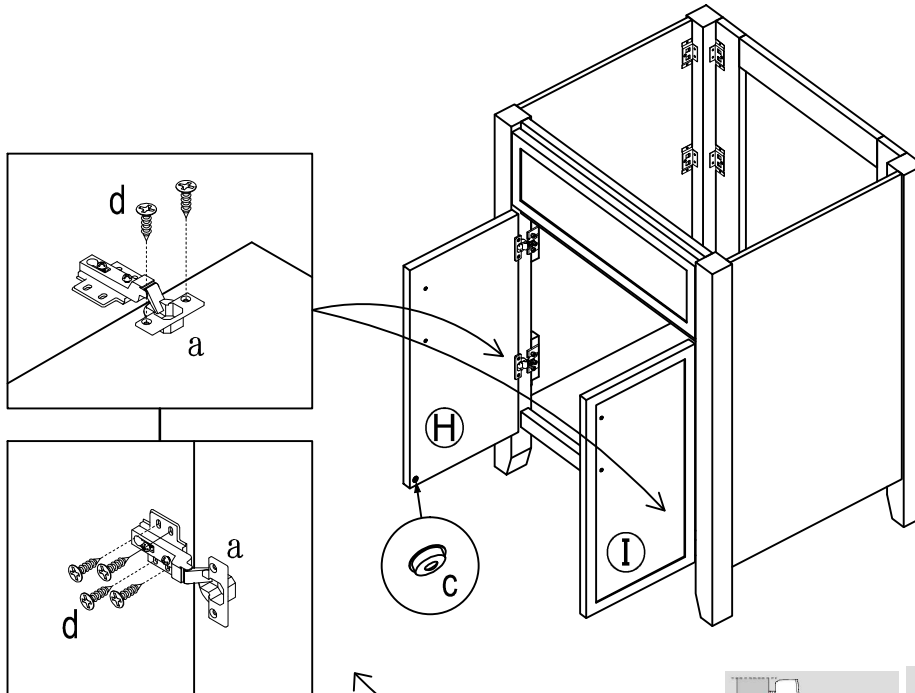
## STEP 5

Use the long screws (e) , to fix the back panel to the edges of the bottom panels.

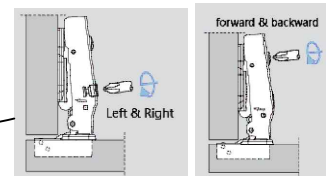


## STEP 6

Attach the door (H) (I) to face frame with framed hinge (a) & screw (d).

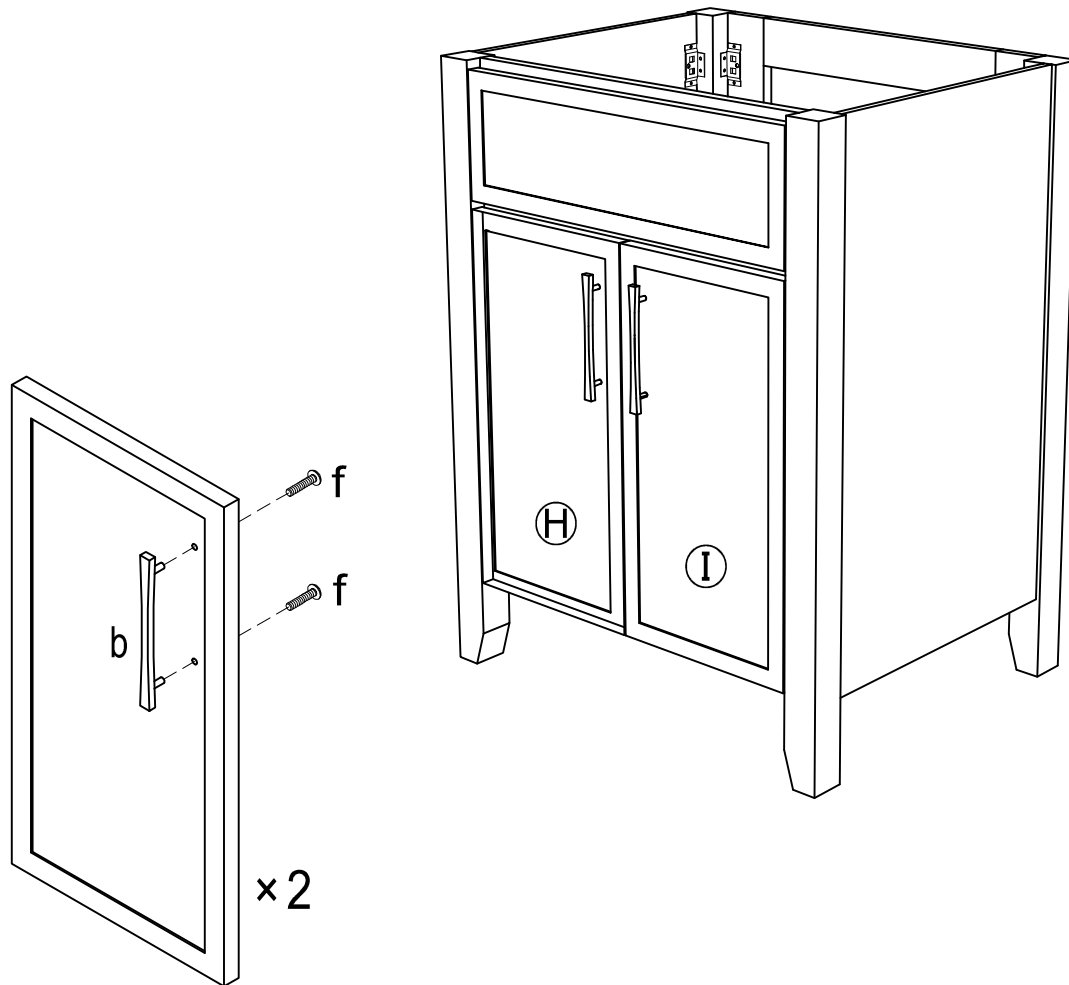


★ Pro tip for adjusting doors



## STEP 7

Install the handle (b) with screw (f) on doors .



## STEP 8

Enjoy your new Dawson Vanity