

Features

- 36" minimum base cabinet width
- Single bowl
- 9" (229 mm) depth provides generous workspace
- Rear drain increases workspace in the sink and allows for more storage space underneath the sink
- Box includes: Sink, sink rack, installation hardware, cutout template
- Rounded 10mm corners are easy to clean

Material

- Premium 16-gauge stainless steel

Installation

- Undermount

Required Products/Accessories

K-8801 Sink drain and strainer with tailpiece

or

K-8799 Sink drain and strainer basket

or

K-11352 Disposal Flange with Stopper

Recommended Products/Accessories

K-23726 Drain treatment

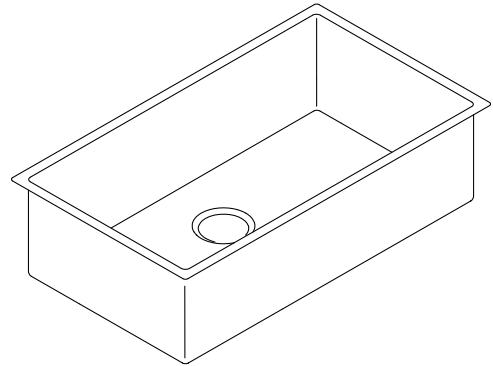
K-23729 Stainless steel cleaner

Optional Products/Accessories

K-6667 Wood Cutting Board

Included Components

K-6644 Sink rack for Vault™ and Strive® kitchen sinks

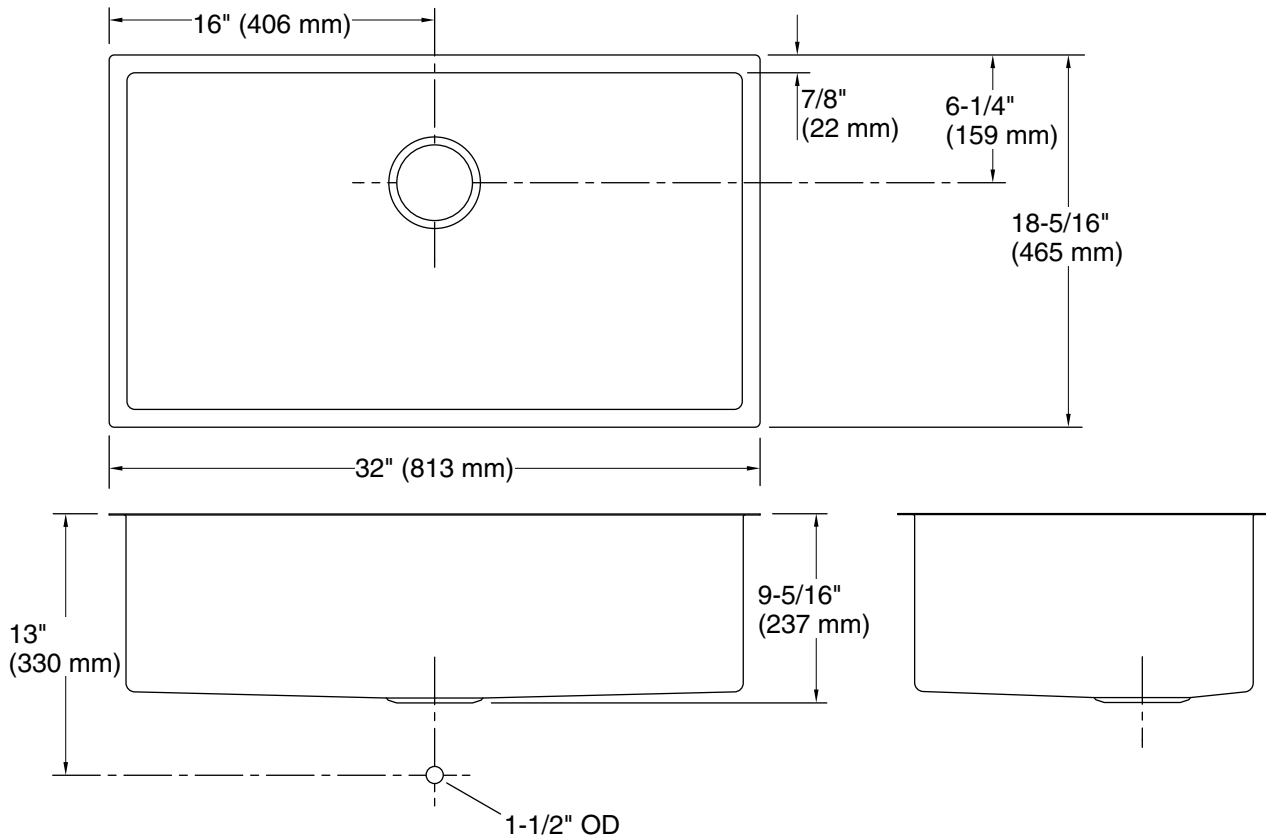


Codes/Standards

ASME A112.19.3/CSA B45.4

KOHLER® Stainless Steel Sinks Lifetime Limited Warranty

See website for detailed warranty information.



Technical Information

All product dimensions are nominal.

Basin configuration: Single Bowl
 Min. base cabinet width: 36" (914 mm)

Bowl area (Basin #1):
 Length: 30-1/4" (768 mm)
 Width: 16-9/16" (421 mm)
 Bowl depth: 9" (229 mm)
 Water depth: 9" (229 mm)

Drain hole: 3-3/4" (95 mm)

Template: 1207216-7, required, included

Notes

Install this product according to the installation instructions.