

# Alissa (#231)

64.625" x 33.5" x 21.625"

**GENERAL SPECIFICATIONS:**

Material - SculptureStone®

Installation - Freestanding - cannot be undermounted  
Not recommended as a tub / shower combination.

Soaker Weight - 260 lbs / 118 kg

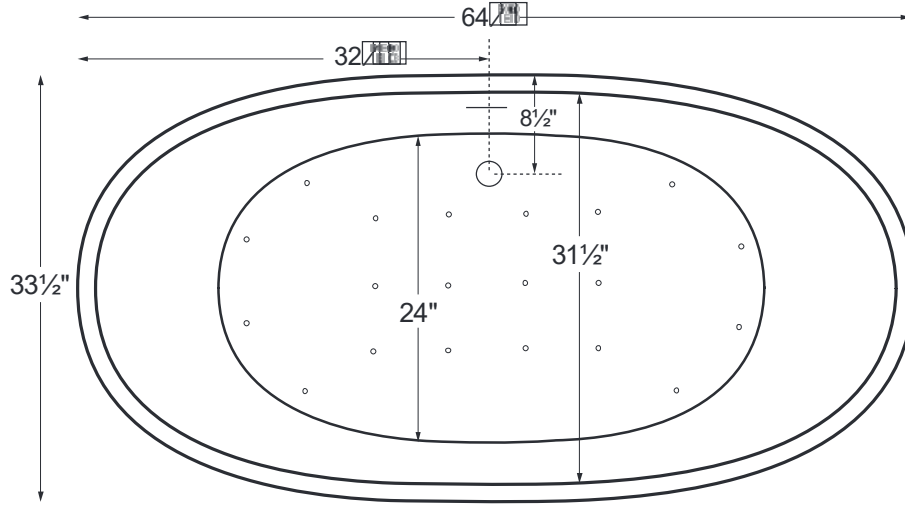
Air Bath Weight - 280 lbs / 127 kg

Maximum Fill - 90 gal to overflow

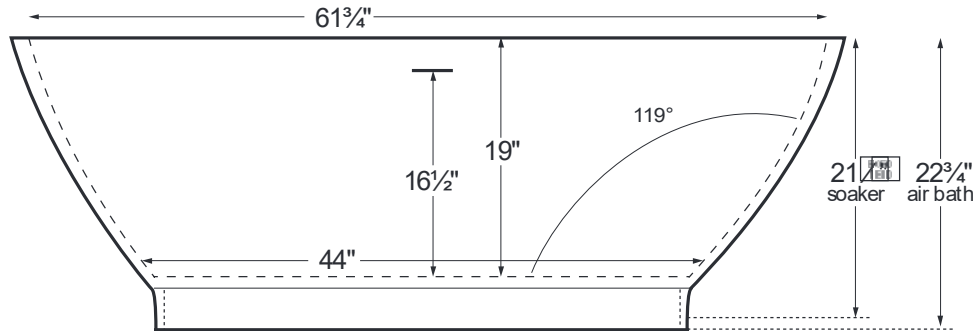
NOTE: Filling this tub to the maximum may require an above average size or dedicated water heater.



Alissa features an integrated slotted overflow.



Shown above as an Air Bath.



**ELECTRICAL SPECIFICATIONS**

Required Electrical Service - 110 Volt

Air Bath	1-15 amp GFCI
----------	---------------

CSA Certified C/US; ANSI Z124.1

**IMPORTANT ORDERING & INSTALLATION INFORMATION:**

- Includes an integrated slotted overflow, which only requires drain installation. May also be specified without an overflow (see local codes).
- Air baths require job site preparations for remote mounting the blower and required check valve. Check valve must be installed higher than the rim of the tub. The keypad is shipped loose and may be mounted on a nearby wall or decking. A waterproof remote control is also included. Please read installation manual prior to ordering.
- Requires use of a wall-mounted or freestanding tub filler.
- Measurements are ± 1/2" and are subject to change without notice.
- Options and accessories are packaged inside the tub crate for delivery.
- Data herein supersedes all prior to publication date shown below.

See the "Boutique Collection Tubs Installation & Operation Manual" included with tub delivery or go to: [mtibaths.com/support/installation](http://mtibaths.com/support/installation) for all the information necessary to install and operate the tub.

MTI's Customer Service Department is available Monday-Friday 8am-6pm EST at 800-783-8827 or [customerservice@mtibaths.com](mailto:customerservice@mtibaths.com) to answer any questions pertaining to ordering or installation.

