

## Features

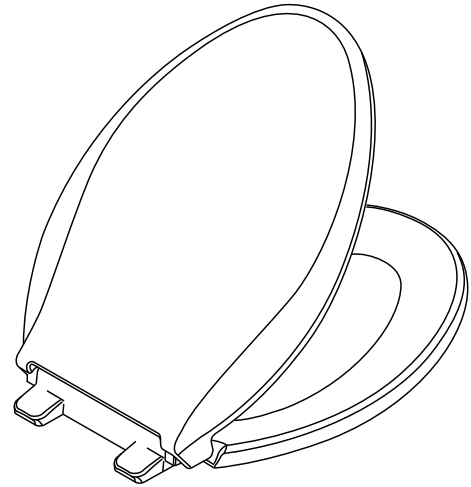
- Grip-Tight bumpers hold seat firmly in place
- Quick-Release™ functionality allows seat to be removed easily from toilet for convenient cleaning
- Quick-Attach® hardware for fast and secure installation
- Color-matched plastic hinges
- Fits most elongated toilets

## Material

- Plastic construction

## Installation

- For nonresidential application, K-7671, K-20110, or K-20112 is recommended



## Codes/Standards

None Applicable



## KOHLER® One-Year Limited Warranty

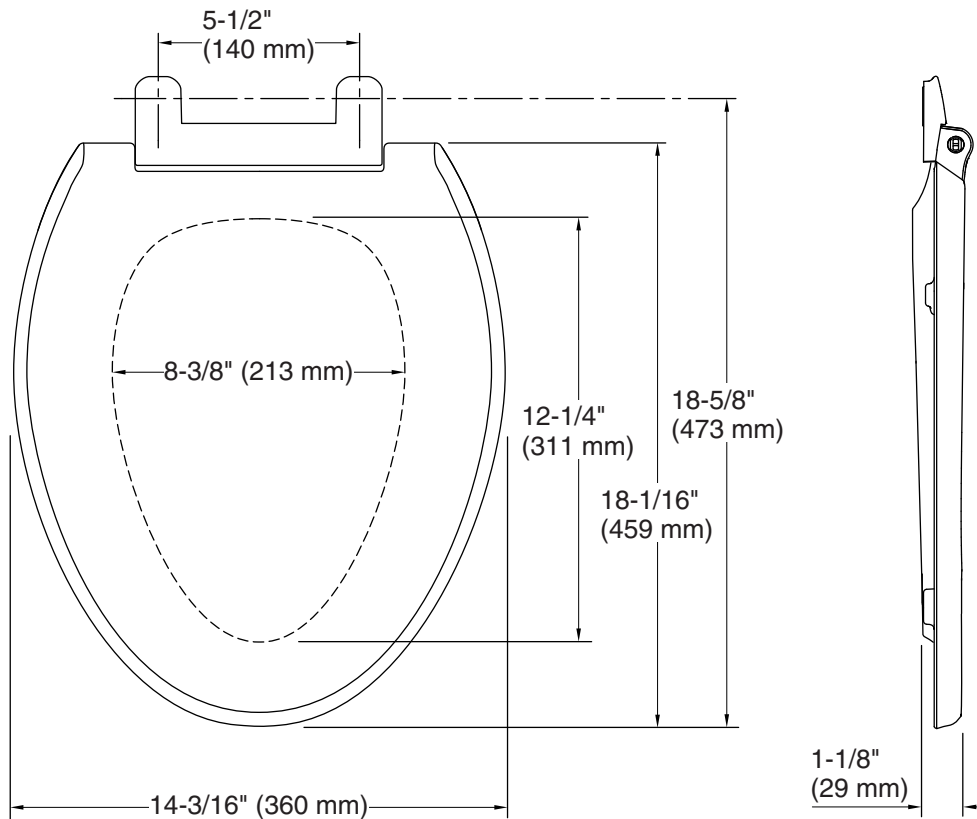
See website for detailed warranty information.

## Available Colors/Finishes

*Color tiles intended for reference only.*

Color	Code	Description
-------	------	-------------

	0	White
	96	Biscuit



### Technical Information

All product dimensions are nominal.

Seat shape type: Elongated  
 Seat front type: Closed-front  
 Seat-mounting holes: 5-1/2" (140 mm)

### Pressure/fixture Supply Requirements

### Notes

Install this product according to the installation instructions.