

*For Residential and Commercial Applications*

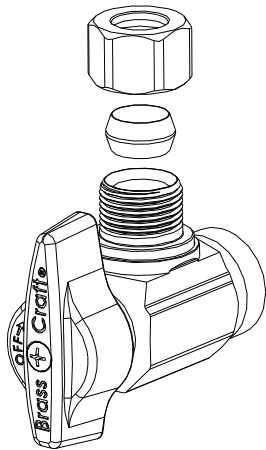
Job Name:	Engineer/Architect:
Job Location:	Wholesaler:
Submittal Date:	Contractor:

## KTR09X / KTR19X 1/4 Turn Angle Ball Stop - Sweat x Compression

**Use:** For use in potable water distribution systems in accessible locations only.

**Design Features:**

- **Machined brass ball** is specially engineered and mated with PTFE seats to provide smooth operation.
- **Two high-performance o-rings** withstand high temperatures and corrosion.
- **Machined, one-piece brass body** provides strength, durability and long-lasting performance.
- **Brass stem** is assembled from the inside out with two o-rings to ensure safe, reliable performance.
- **Plated stem** provides corrosion resistance and prevents o-ring damage.
- **Metal handle** is designed for durability, corrosion resistance and a sleek appearance.
- **Easy-to-remove handle** with screw attachment protects accidental stop operation during rough-ins.
- **100% leak tested.**
- **No-lead brass material** meets compliance for safe drinking.



**Operating Specifications:**

**Temperature:** 40°- 180°F  
**Pressure:** 125 PSI maximum

STOP MATERIAL SPECIFICATIONS	
<b>Body</b>	<i>Brass, plated</i>
<b>Stem</b>	<i>Brass, plated</i>
<b>Seat</b>	<i>PTFE</i>
<b>Ball</b>	<i>Brass, plated</i>
<b>Stem o-ring</b>	<i>Rubber</i>
<b>Handle</b>	<i>Zinc die cast, plated</i>
<b>Handle Screw</b>	<i>Steel, zinc plated</i>
<b>Compression Sleeve</b>	<i>Brass</i>
<b>Compression Nut</b>	<i>Brass, plated</i>

*This specification and all information contained herein is the confidential and exclusive property of BrassCraft Manufacturing Company and shall not be disclosed to others without the written consent of BrassCraft. This specification must be returned to BrassCraft if requested.*

*\*Products shown may differ from those available in the Canadian market.*

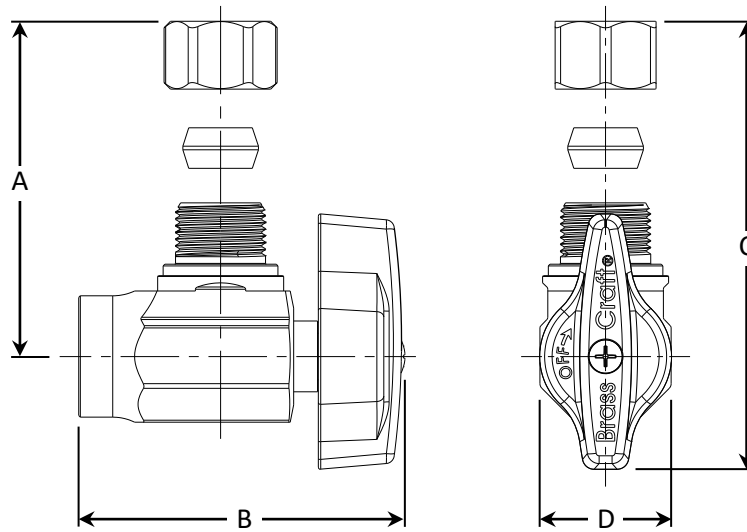


# KTR09X / KTR19X 1/4 Turn Angle Ball Stop - Sweat x Compression

**Part Listing:**

- KTR09X C 1/2" Nom Sweat x 1/4" OD Compression, Chrome Plated
- KTR09X CM 1/2" Nom Sweat x 1/4" OD Compression, Chrome Plated, Contractor 5 Pack
- KTR19X C 1/2" Nom Sweat x 3/8" OD Compression, Chrome Plated
- KTR19X C1 1/2" Nom Sweat x 3/8" OD Compression, Chrome Plated, Window Tray
- KTR19X CM 1/2" Nom Sweat x 3/8" OD Compression, Chrome Plated, Contractor 5 Pack
- KTR19L1X CB 1/2" Nom Sweat x 3/8" OD Compression, Less Nut, Chrome Plated, Bulk
- KTR19X R 1/2" Nom Sweat x 3/8" OD Compression, Rough Brass
- KTR19X RM 1/2" Nom Sweat x 3/8" OD Compression, Rough Brass, Contractor 5 Pack

PART DIMENSIONS (Inches)				
Model	DIM. A	DIM. B	DIM. C	DIM. D
KTR09X	1.16	2.02	1.86	.91
KTR19X	1.22	2.02	1.92	.91



**Listings & Certifications:**

- IAPMO listed to ASME A112.18.1 / CSA B125.1 (includes NSF/ANSI 372 and NSF/ANSI/CAN 61)



*This specification and all information contained herein is the confidential and exclusive property of BrassCraft Manufacturing Company and shall not be disclosed to others without the written consent of BrassCraft. This specification must be returned to BrassCraft if requested.*

*\*Products shown may differ from those available in the Canadian market.*