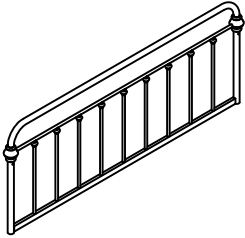


# ASSEMBLY INSTRUCTION

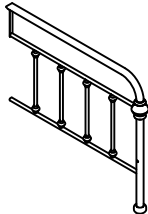
## MATTE WHITE DAYBED

**A** BACK PANEL



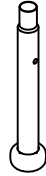
1pc

**B** SIDE PANEL



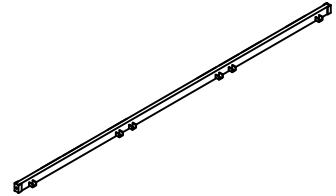
2pcs

**C** EXTENSION LEG



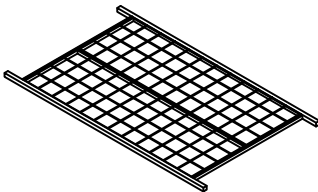
2pcs

**D** RAIL



1pc

**E** MATTRESS FRAME



3pcs

**F** BOLT  
5/16",57MM



2pcs

**G** BOLT  
1/4",57MM



4pcs

**H** BOLT  
1/4",16MM



12pcs

**I** FLAT WASHER



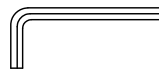
12pcs

**J** WASHER



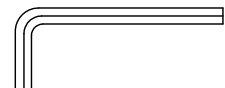
2pcs

**K** ALLEN WASHER  
4x4MM

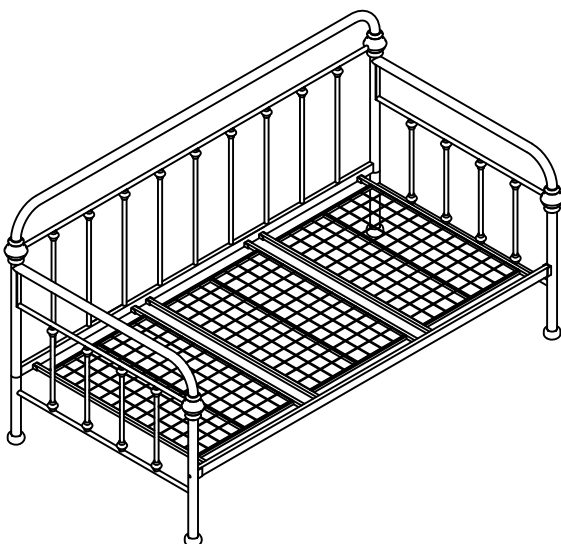


1pc

**L** ALLEN WASHER  
5x5MM

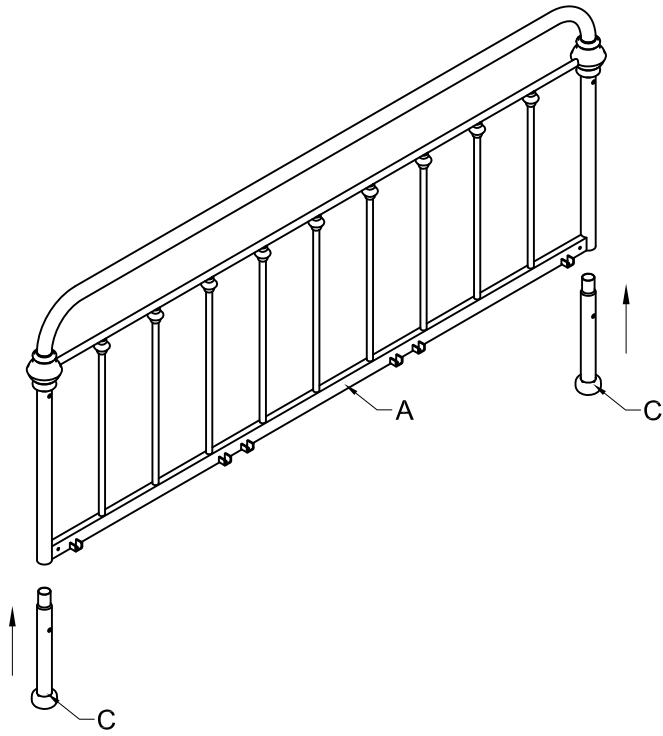


1pc

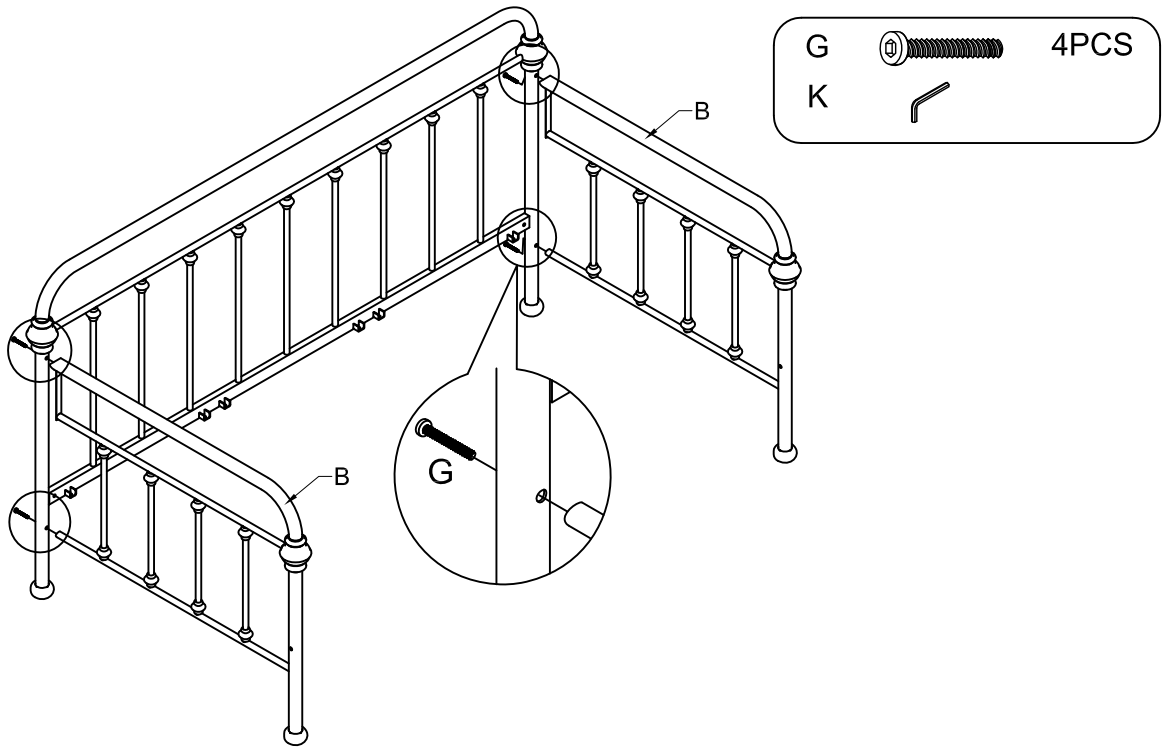


This page lists all the contents included in the box. Please take the time to identify the hardware as well as the individual components to this product. As you unpack and prepare for assembly, place the contents on a carpeted or padded area to protect them from damage.

**1** Assemble the back panel (A) to the extension leg (C).

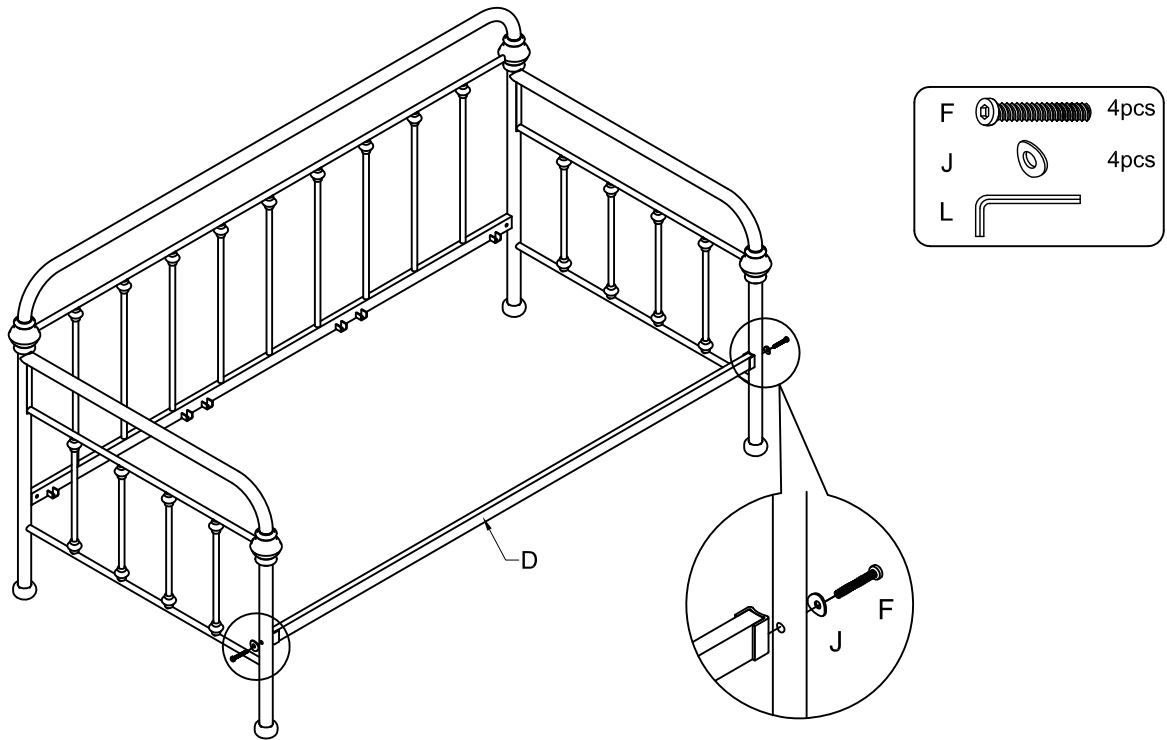


**2** Assemble the back panel (A) to the side panel (B) with 6 pcs Bolt (G) and fastened using allen wrench (K).

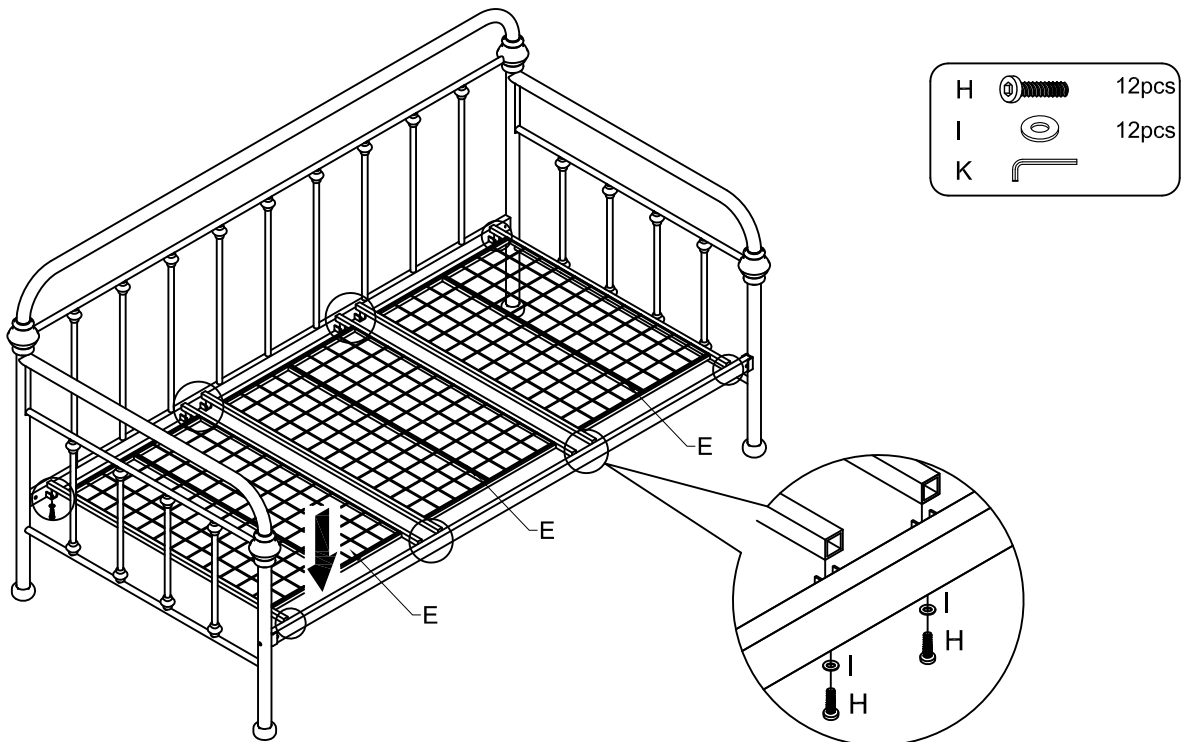


**3**

Assemble the rail (D) to the side panel (B) with 2 pcs bolt (F), and 2 pcs flat washer (J) then fastened using allen wrench (L).

**4**

Assemble the mattress frame (E) with 12 pcs bolt (H) and 12 pcs flat washer (I) then fastened using allen wrench (K).



#### Cleaning & Care

Treat surface with care. Surface is resistant to scratches but is not scratch resistant. Clean surfaces with a dry or damp soft cloth. Do not use abrasive cleaners. Hardware may loosen over time. Periodically check that all connections are tight.