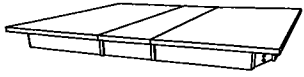


ASSEMBLY INSTRUCTION

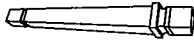
SQUARE BAR HEIGHT TABLE WITH 18" EXTENSION LEAF

A TABLE TOP



1 PC

B TABLE LEG



4 PCS

C ALLEN WRENCH M5



1 PC

D JCBC M8 x 80mm



8 PCS

E SPRING WASHER M8

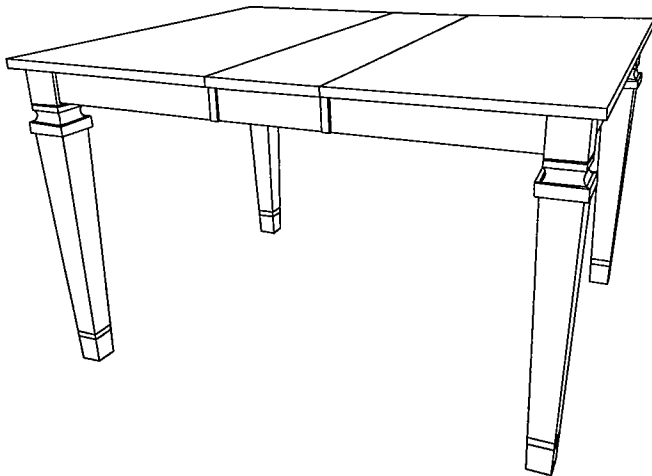


8 PCS

F FLAT WASHER M8 x 2mm



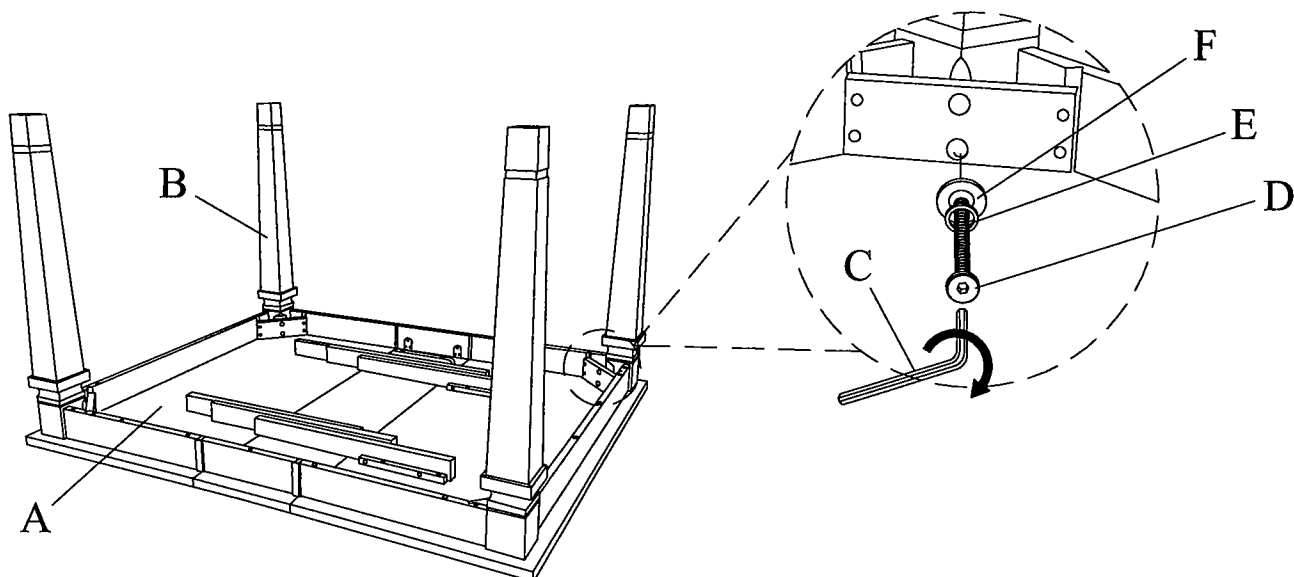
8 PCS



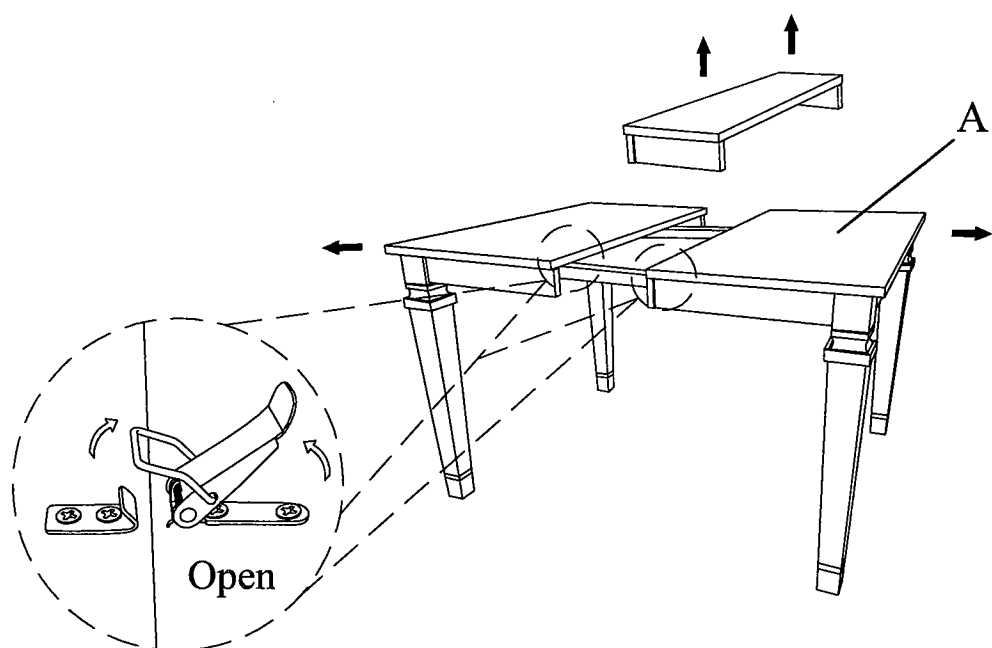
This Page lists all the contents included in the box . Please take the time to identify the hardware as well as the individual components to this product . As you unpack and prepare for assembly , place the contents on a carpeted or padded area to protect them from damage .

1 Place table top(A) upside down on soft surface. Align and fasten all legs(B) to table top(A) using bolt(D), spring washer(E) and flat washer(F) and tighten with Allen wrench(C).

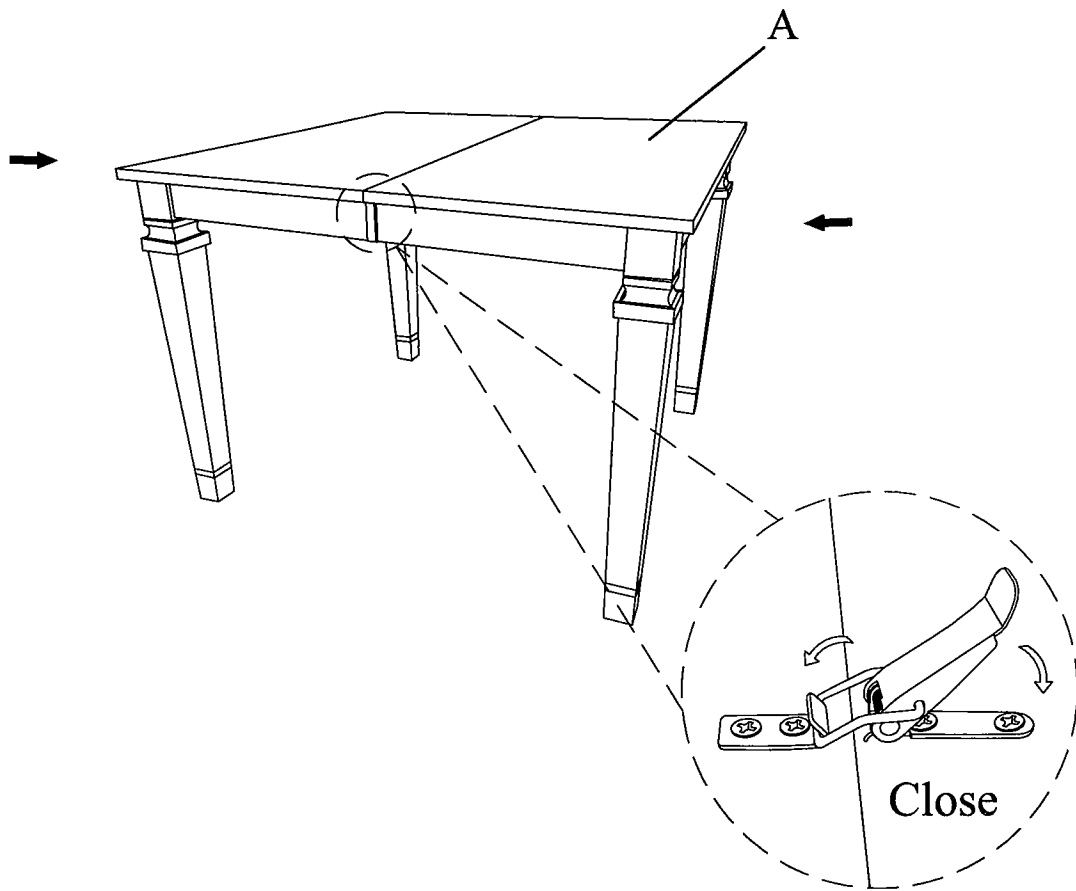
***Do not fully tighten the nut or bolt until all nuts and bolts are attached.



2 Flip table over using two people to lift and flip the table. Unlock the latches underneath table top(A). Pull apart the table top(A) at both ends and take out the center leaf.



3 Push both ends together and make sure pin line up. Close the table top(A) tightly and lock all latches on the underneath of the table.



Cleaning & Care

Treat Surface with care. Surface is resistant to scratches but is not scratch resistant. Clean surface with a dry or damp soft cloth. Do not use abrasive cleaners. Hardware may loosen over time. Periodically check that all connections are tight.