



# Mariposa®

66" x 36" alcove bath with alcove and right-hand drain  
**K-1229-R**

## Features

- 66"L x 35-7/8"W x 20"H
- Extra length and width enhance bathing comfort
- Includes integral flange to simplify installation and prevent the possibility of water damage behind the wall
- Textured bottom surface

## Material

- Acrylic

## Installation

- Alcove

## Required Products/Accessories

K-T37391 Rotary-turn bath drain trim

K-T37392 Rotary-turn bath drain trim

or

K-37383 Rough-in cable bath drain, PVC, 30" cable with tubing

K-78438 30" cable bath drain

or

K-37385 rough-in cable drain, PVC, 45" cable

K-78439 45" cable bath drain

## Recommended Products/Accessories

K-1491 Bath/Whirlpool Pillow

K-1601 Bath/whirlpool footstop, removable

K-7213 27" Cable Bath Drain

K-7214 27" Cable Bath Drain

K-7259 Brass toe tap bath drain

K-23726 Drain treatment

K-7265 Brass toe tap bath drain



## Codes/Standards

CSA B45.5/IAPMO Z124

ASTM E162

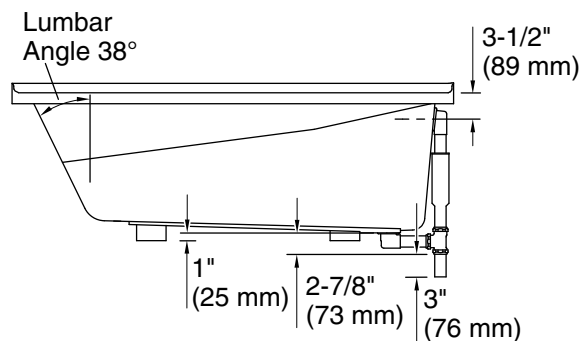
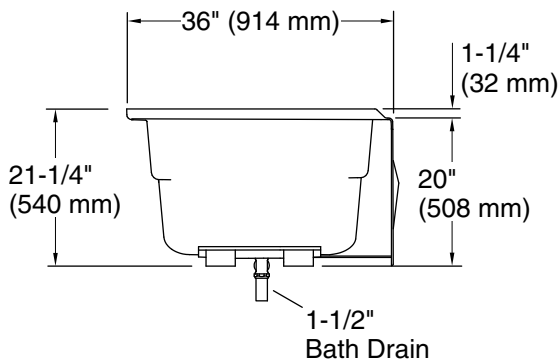
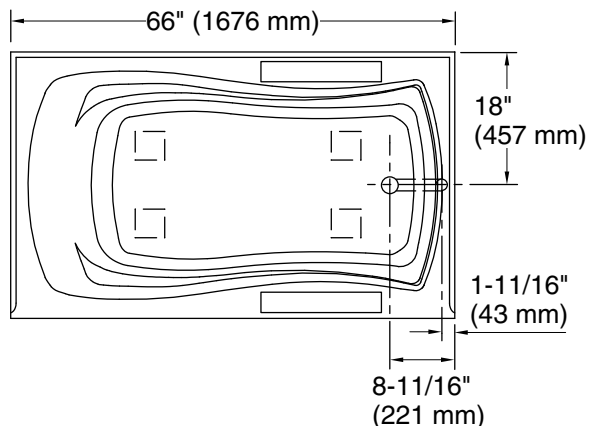
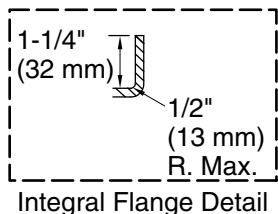
ASTM E662

## KOHLER® Plastic Baths and Shower Bases Lifetime Limited Warranty

See website for detailed warranty information.

No change in measurements if connected with drain illustrated. (K-7161-AF)

□ Recommended Faucet Location



### Technical Information

All product dimensions are nominal.

Drain location:	Right
Basin area, bottom:	48" x 24" (1219 mm x 610 mm)
Basin area, top:	59" x 30" (1499 mm x 762 mm)
Weight:	65 lbs (29.5 kg)
Minimum floor load:	39 lbs/ft <sup>2</sup> (190.4 kg/m <sup>2</sup> )
Water depth:	14" (356 mm)
Water capacity:	67 gal (253.6 L)
Minimum flat for door:	1-15/16" (49 mm)

### Notes

Measure your actual product for rough-in details.

Install this product according to the installation instructions.

The hot water supply should be 70% of the capacity of the bath or greater. Installations will vary.

If installing a rim-mount faucet, make sure there is no interference above or below the deck before drilling any holes.