



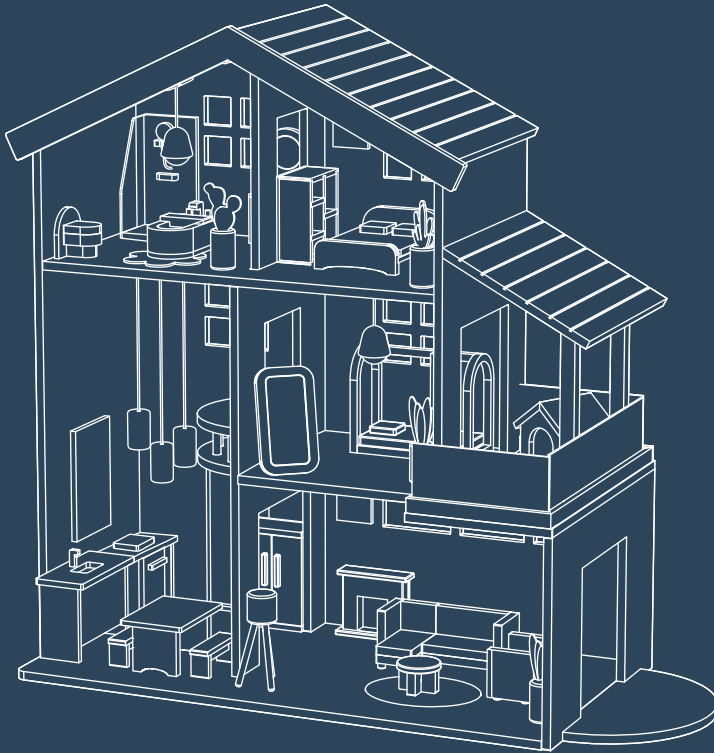
BEST CHOICE
PRODUCTS

⚠ WARNING

ADULT ASSEMBLY REQUIRED

⚠ WARNING

CHOKING HAZARD - Small parts.
Not for children under 3 years old.



INSTRUCTION MANUAL

Modern Wooden Dollhouse

! NOTICE | Please retain these instructions for future reference.

- Product is intended for indoor use only.
- Do not stand on or use any part of this product as a step ladder.
- Firmly secure all bolts, screws and knobs before use.
- Reconfirm that all bolts, screws, and knobs are secure every 90 days.
- If any parts are missing, broken, damaged, or worn, stop using this item until repairs are made and/or factory replacement parts are installed.
- Do not use this item in a way inconsistent with the manufacturer's instructions as this could void the product warranty.
- To clean, wipe down product with a damp cloth, then wipe it down once more with a dry cloth.
- This product is intended for residential use only.

TOOLS REQUIRED



PHILLIPS
SCREWDRIVER



3 YEARS
OLD & UP

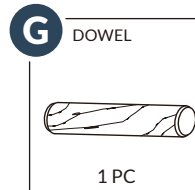
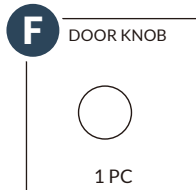
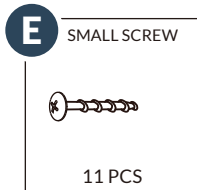
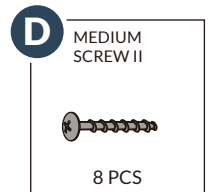
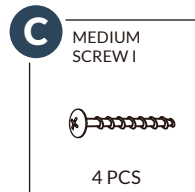
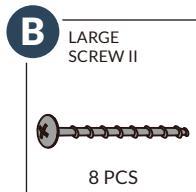
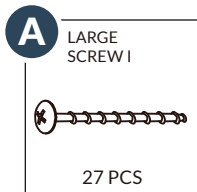


1 PERSON
ASSEMBLY

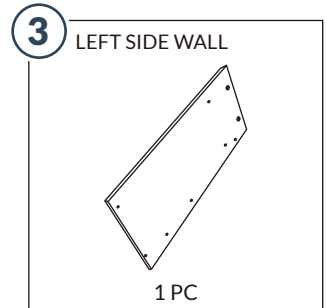
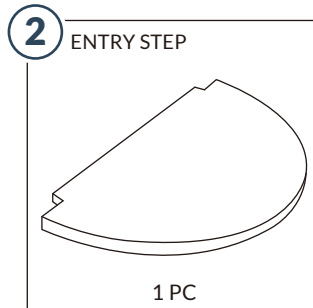
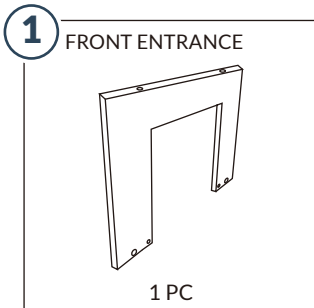


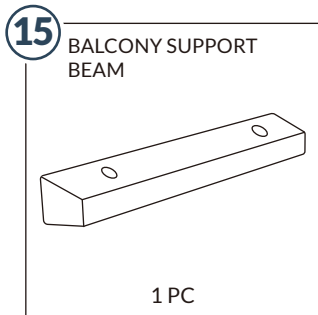
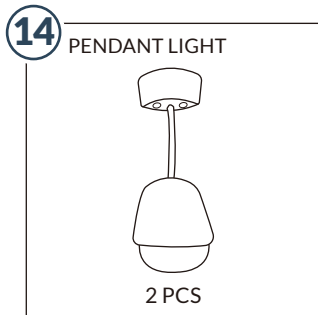
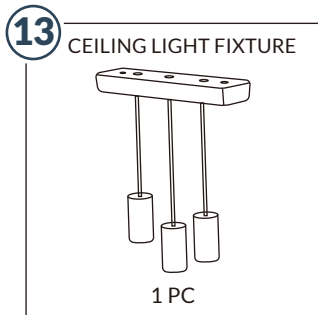
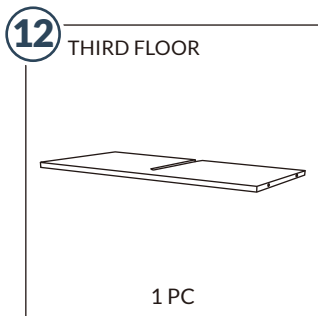
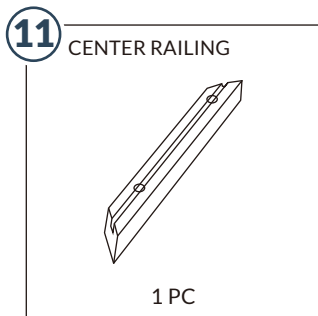
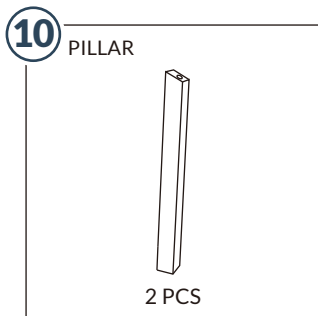
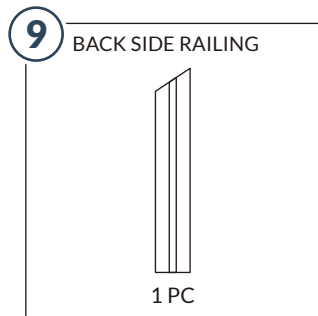
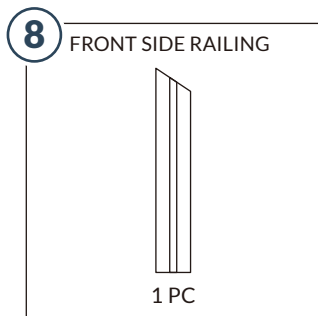
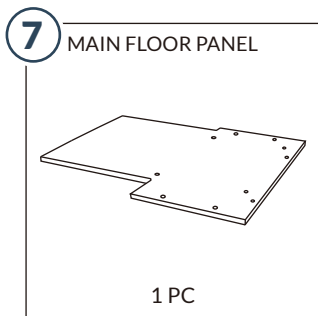
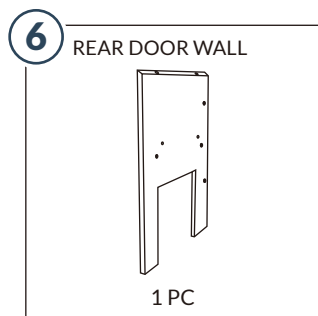
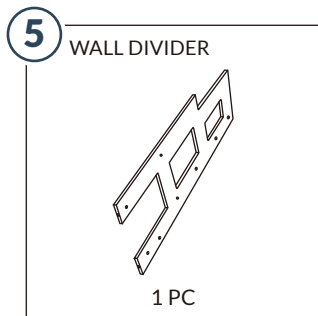
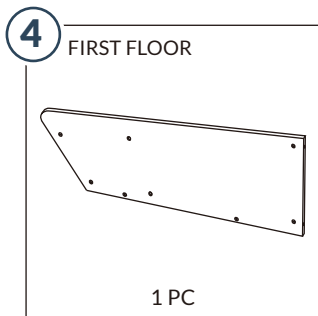
UP TO 60 MIN.
ASSEMBLY

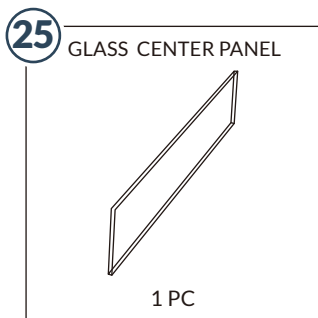
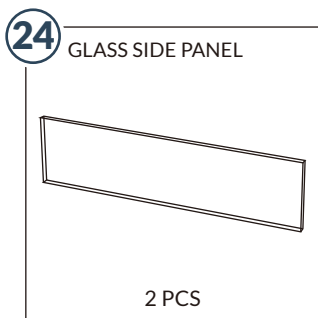
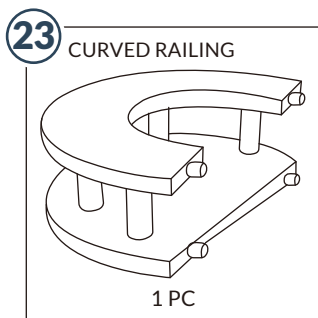
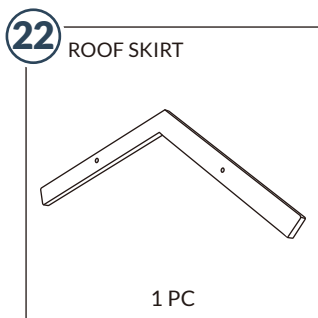
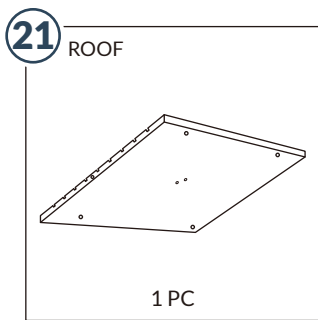
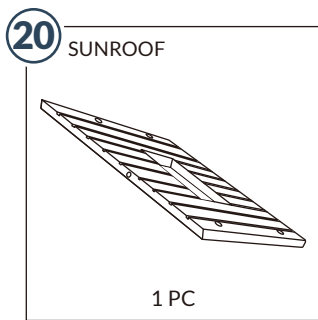
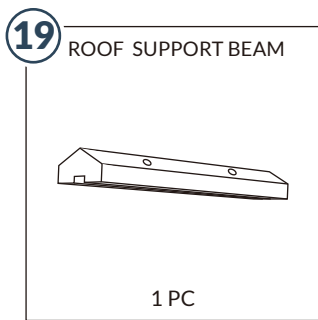
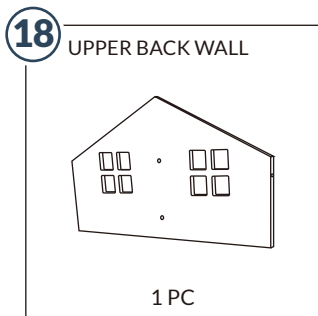
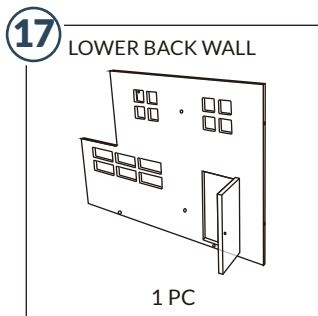
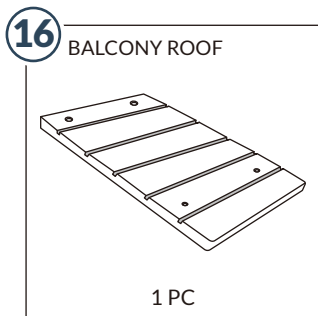
HARDWARE



PARTS

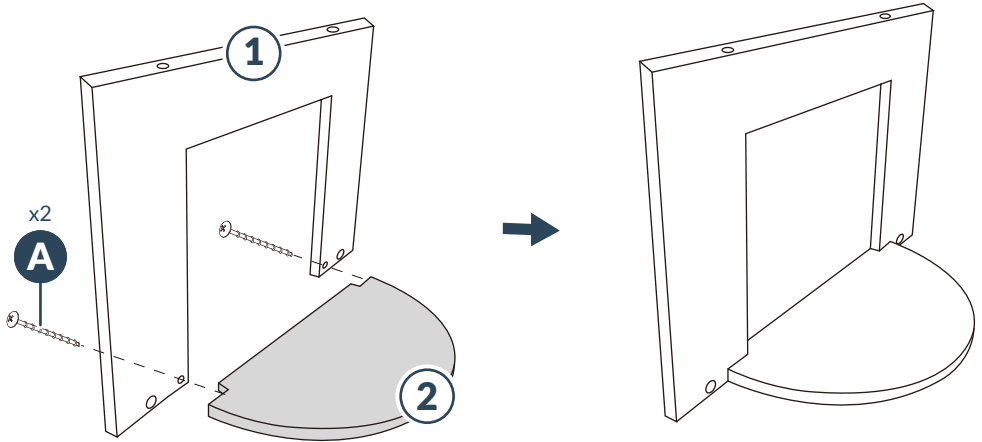




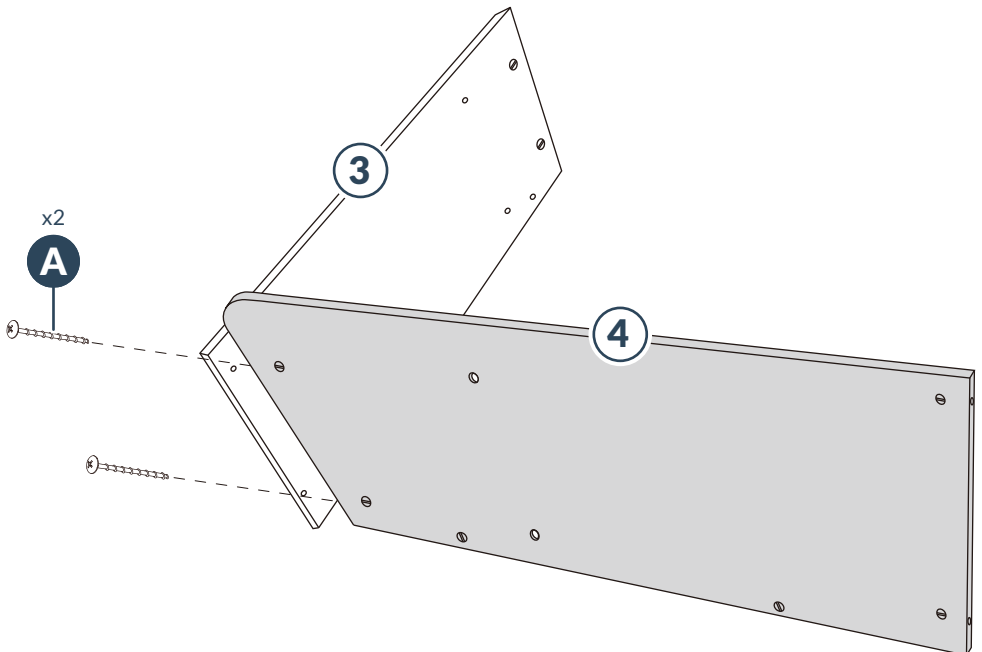


PRODUCT ASSEMBLY - TABLE

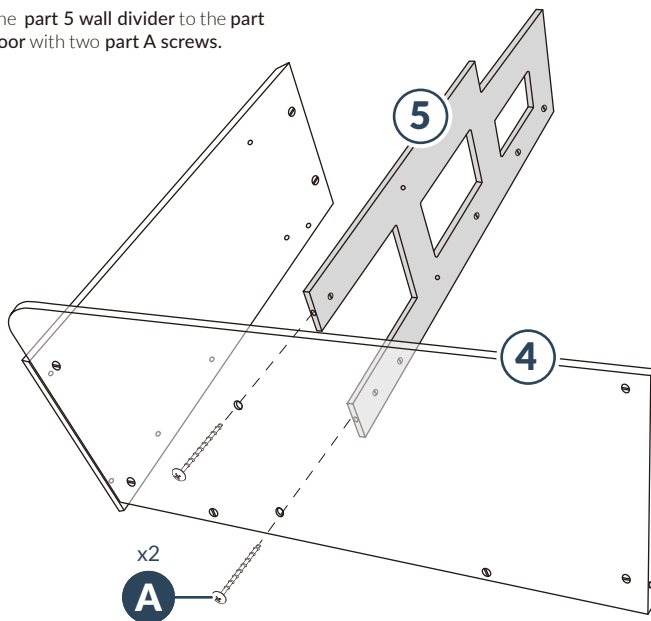
- 1** | Attach the **part 2 entry step** to the **part 1 front entrance** with two **part A screw**.



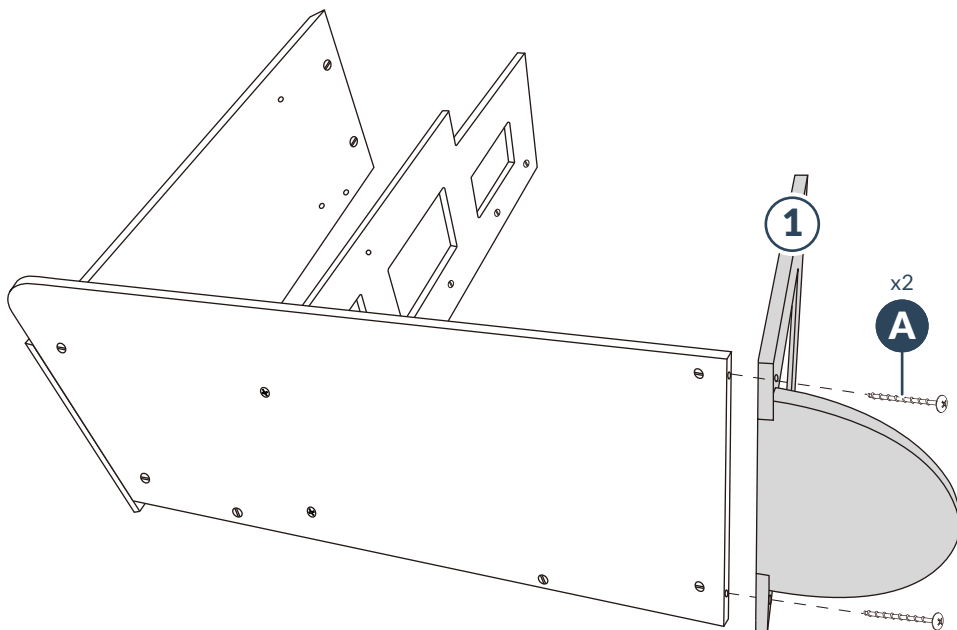
- 2** | Attach the **part 4 first floor** to the **part 3 left side wall** with two **part A screws**.



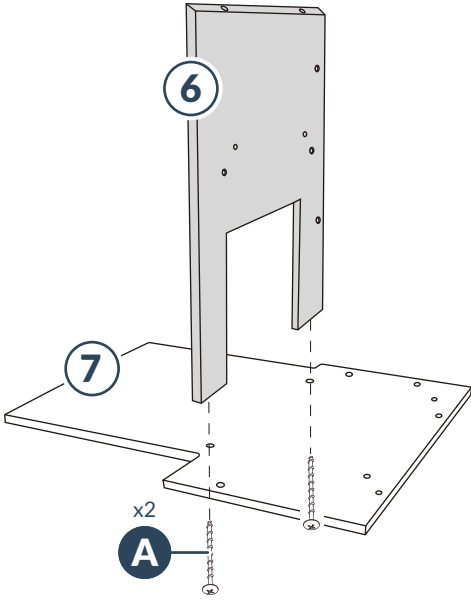
- 3** | Attach the **part 5 wall divider** to the **part 4 first floor** with two **part A** screws.



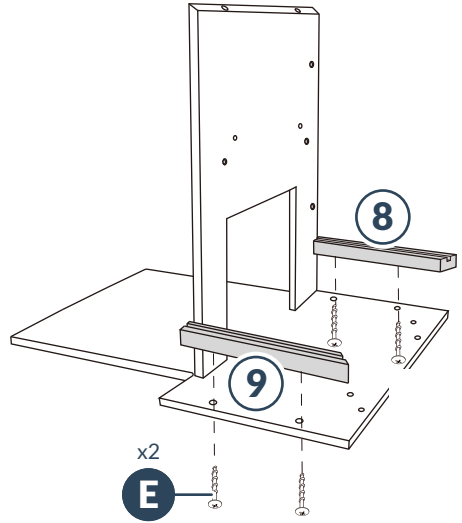
- 4** | Attach the assembled **part 1 front entrance** to the **part 4 first floor** with two **part A** screws.



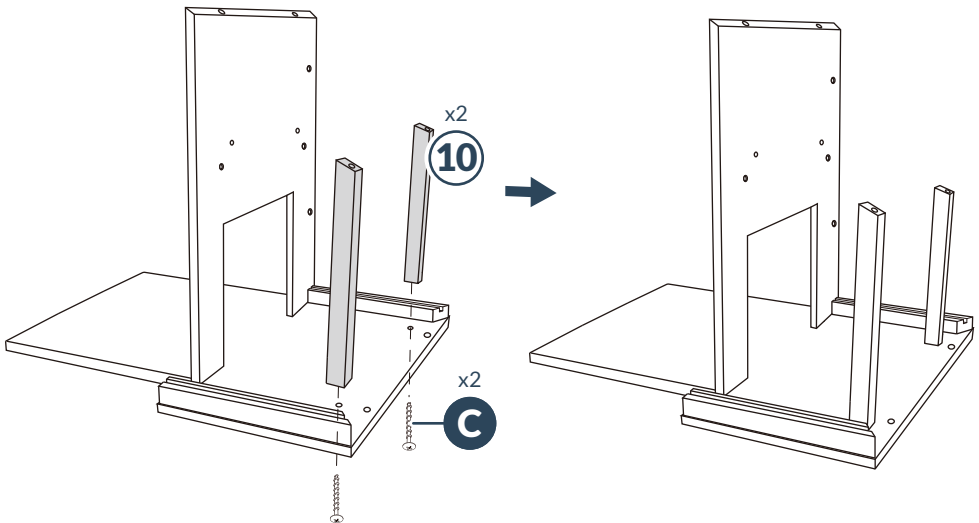
5 | Attach the **part 6** balcony entrance to the **part 7** second floor with two **part A** screws.



6 | Attach the **part 8 & 9** side railings to the **part 7** second floor with two **part E** screws.



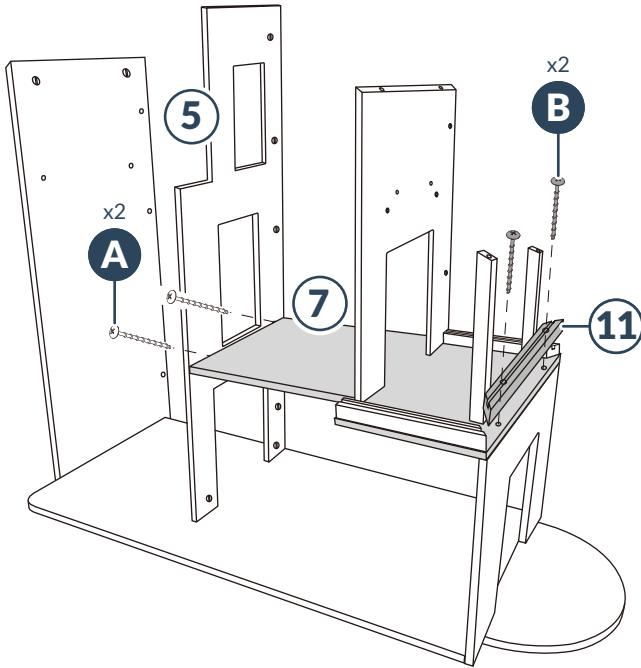
7 | Attach two **part 10** pillars to the **part 7** second floor with two **part C** screws.



8

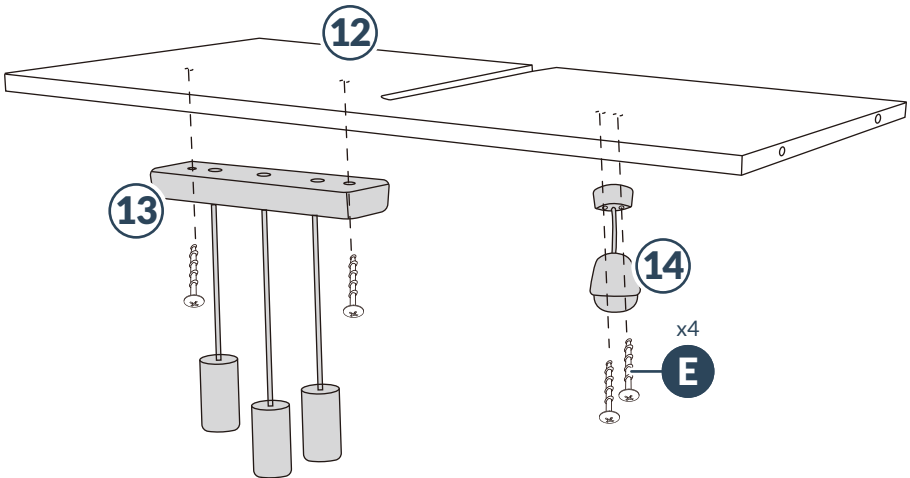
Attach the **part 11 center railing** to the **part 7 second floor** with two **part B screws**.

Attach the second floor assembly to the **part 5 wall divider** with **part A screws**.

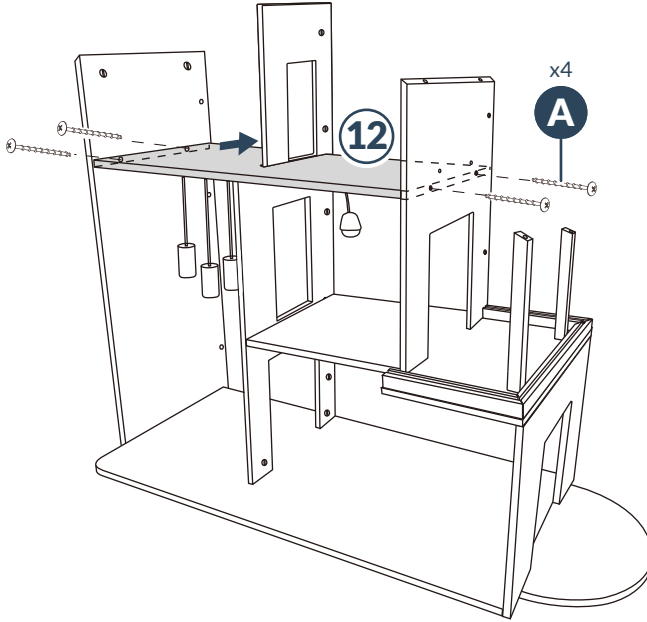


9

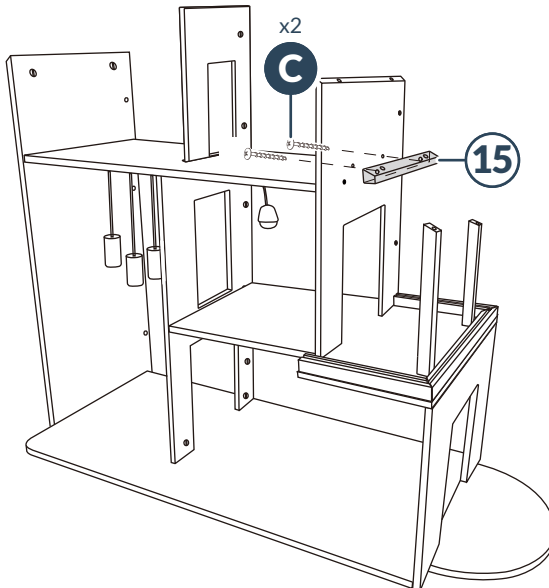
Attach the **part 13 ceiling light fixture** and one **part 14 pendant light** to the **part 12 third floor** with four **part E screws**, two per light fixture.



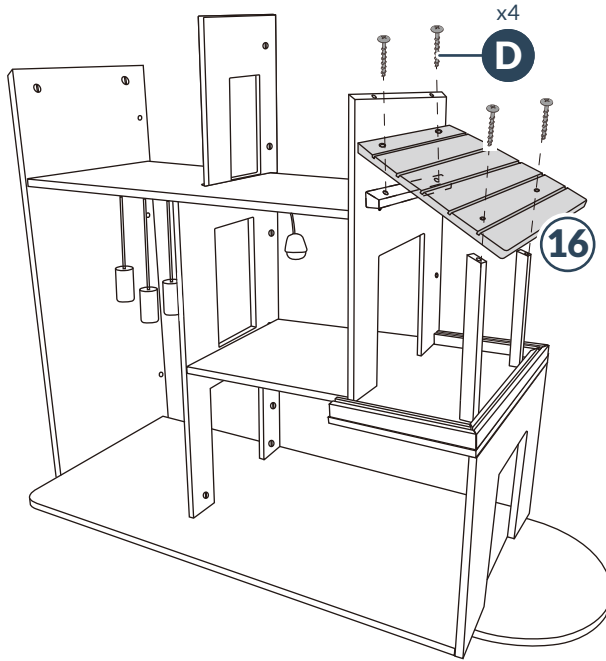
10 | Slide the **part 12 third floor** onto the wall divider and secure the floor with four **part A** screws.



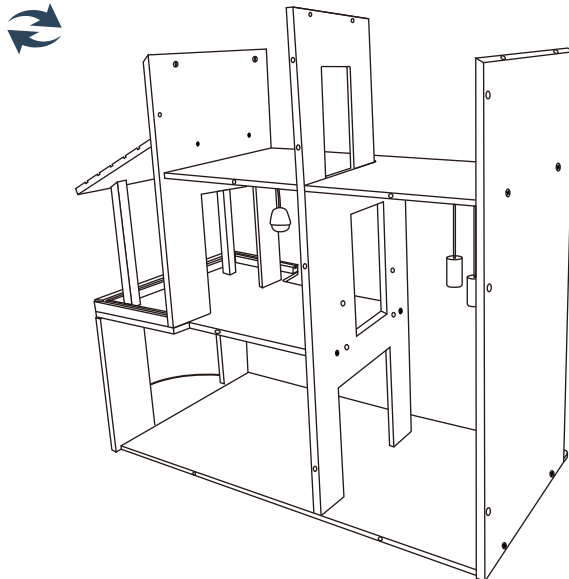
11 | Attach the **part 15 balcony support beam** to the **part 6 balcony entrance** with two **part C** screws.



12 | Attach the **part 16 balcony roof** to the **part 15 balcony support beam** and **part 10 pillars** with four **part D screws**.

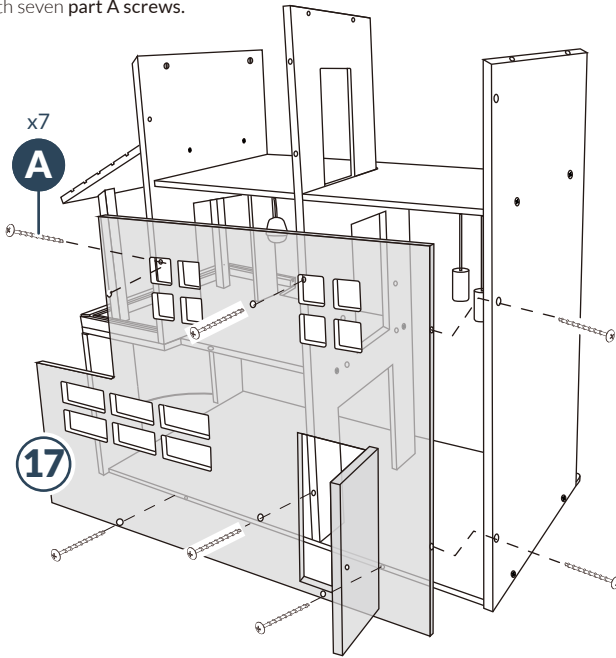


13 | Turn the doll house. (back view)



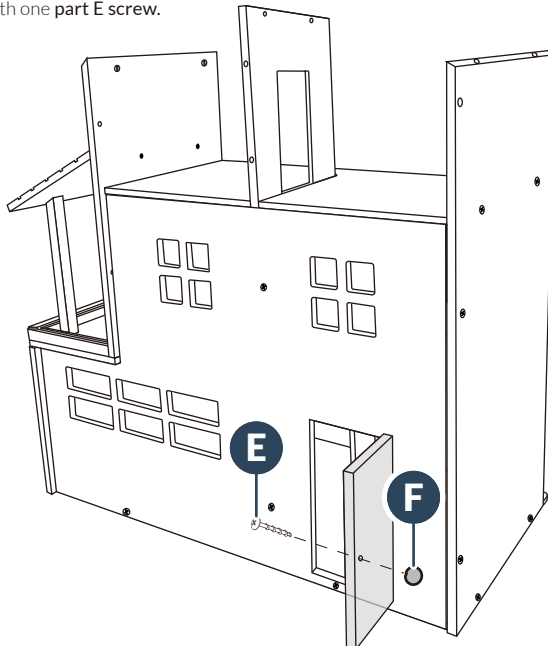
14

Attach the **part 17** lower back wall with seven **part A** screws.

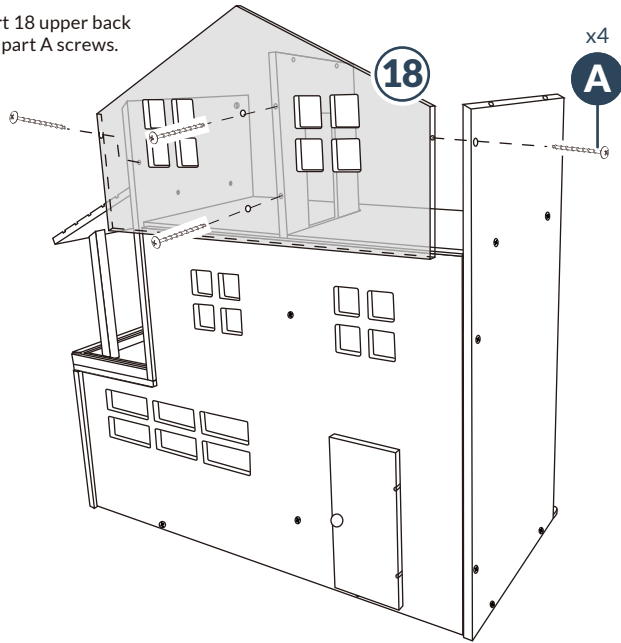


15

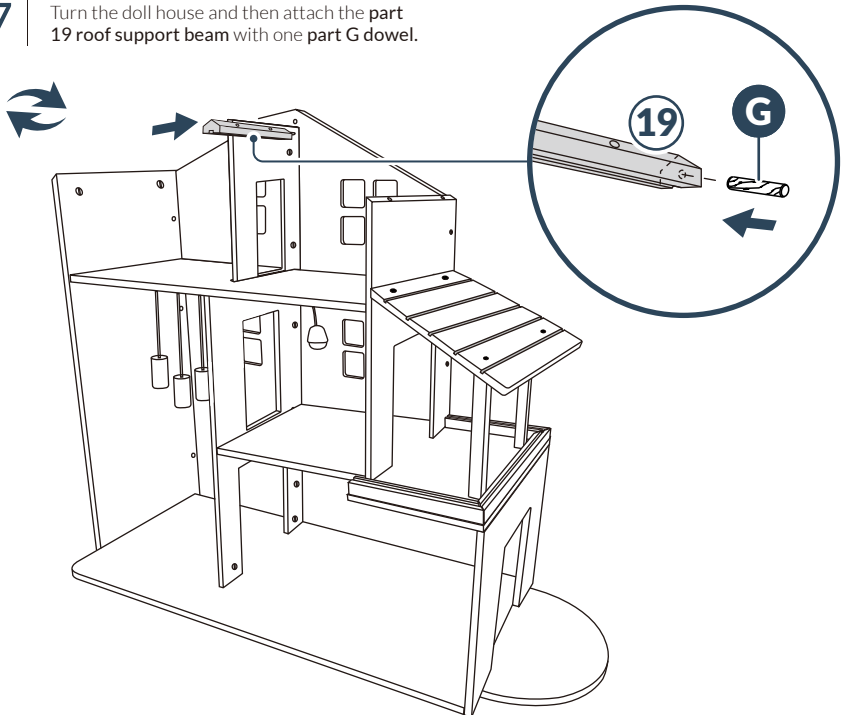
Attach the **part F** door knob to the back door with one **part E** screw.



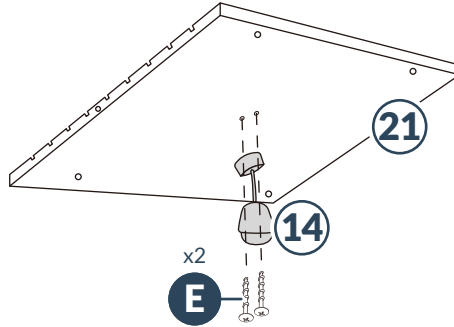
16 | Attach the **part 18** upper back wall with four **part A** screws.



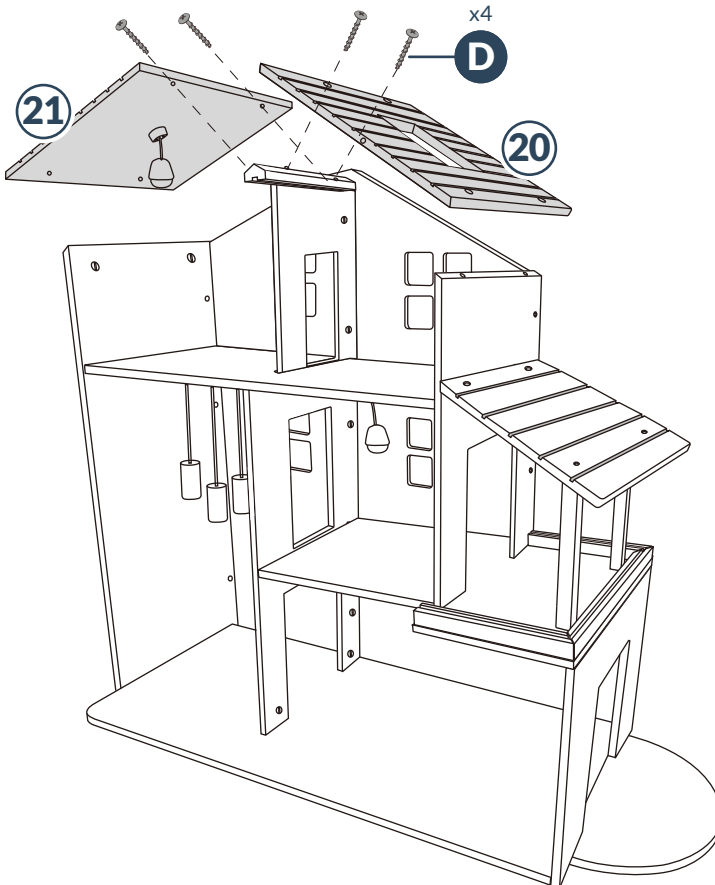
17 | Turn the doll house and then attach the **part 19** roof support beam with one **part G** dowel.



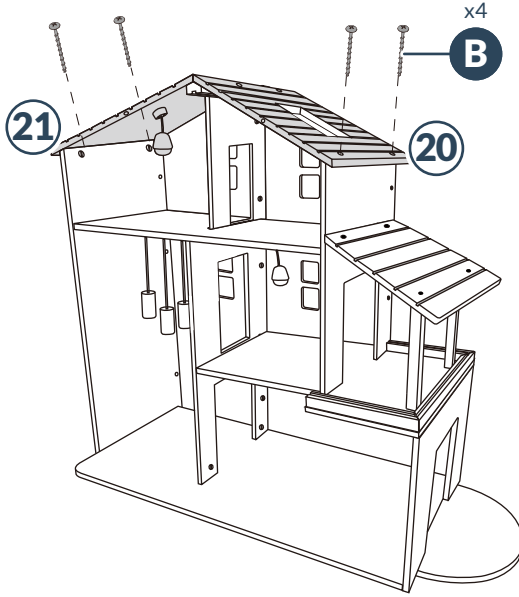
18 | Attach one **part 14** pendant light to the **part 21** roof with two **part E** screws.



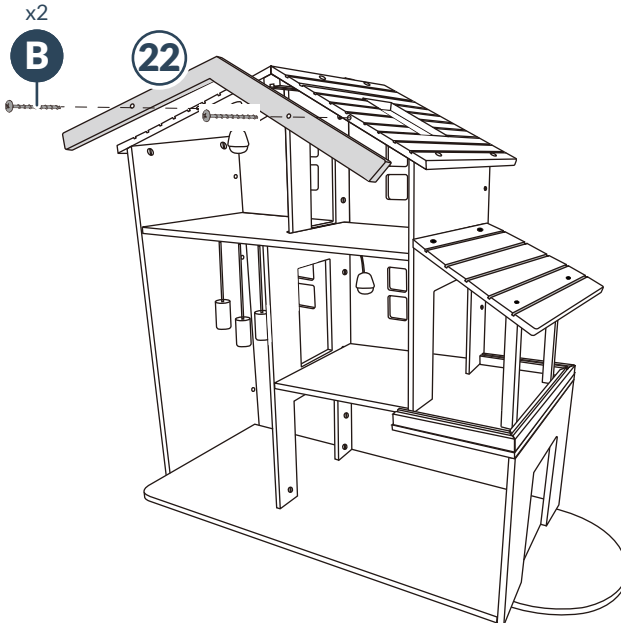
19 | Attach the **part 20 & 21** roofs to the roof support beam with 4 **part D** screws.



20 | Secure the **part 20 & 21** roofs to the walls with 4 **part B** screws.

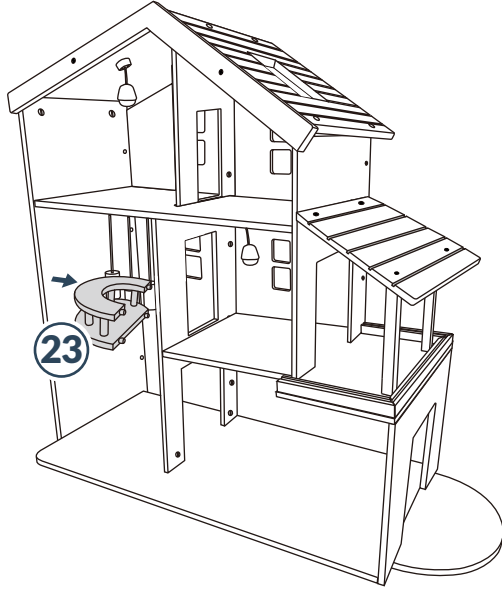


21 | Attach the **part 22** roof skirt to the roofs with two **part B** screws.



22

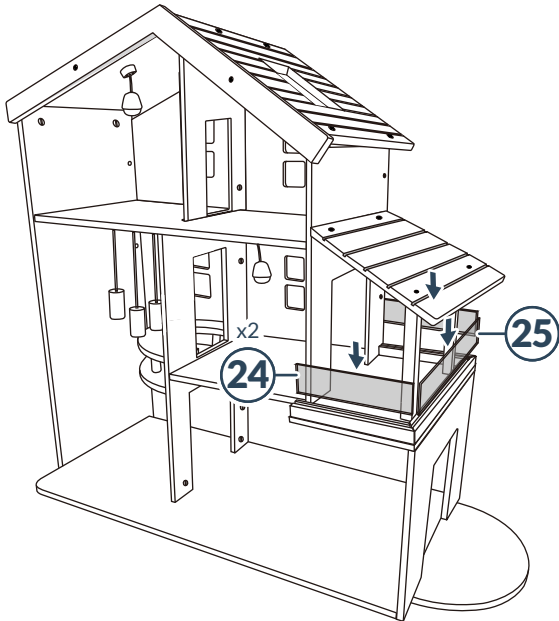
Attach the **part 23 curved railing** to the wall divider on the second floor.



23

Attach the **part 24 & 25 glass panels** to the railings on the balcony.

ACCESSORIES: Use the included accessories to decorate the rooms of the dollhouse to your liking.





HELP CENTER

Question about your product? We're here to help. Visit us at:

bestchoiceproducts.com/pages/help



Chat Support



Product Inquiry



Orders FAQ



Product Assembly



Returns & Refunds

PRODUCT WARRANTY INFORMATION

All items can be returned for any reason within 60 days of the receipt and will receive a full refund as long as the item is returned in its original product packaging and all accessories from its original shipment are included. All returned items will receive a full refund back to the original payment method. All returned items will not be charged a re-stocking fee.

All returned items require an RA (Return Authorization) number, which can only be provided by a Best Choice Products Customer Service Representative when the return request is submitted. Items received without an RA may not be accepted or may increase your return processing time. Once an item has been received by Best Choice Products, refunds or replacements will be processed within 5 business days.

All returns must be shipped back to the Best Choice Products Return Center at the customer's expense. If the reason for return is a result of an error by Best Choice Products then Best Choice Products will provide a pre-paid shipping label via email. Boxes for return shipping will not be provided by Best Choice Products, and is the customer's responsibility to either use the original shipping boxes or purchase new boxes.

Pictures may be required for some returns to ensure an item is not damaged prior to its return. Items returned are not considered undamaged until they are received by Best Choice Products and verified as such. All damages to items are the customer's responsibility until the item has been received by and acknowledge by Best Choice Products as undamaged.

© Best Choice Products, Inc. All rights reserved. Distributed by Best Choice Products, Inc. Newport Beach, CA 92660

WARNING

Manufacturer and seller expressly disclaim any and all liability for personal injury, property damage or loss, whether direct, indirect, or incidental, resulting from the incorrect attachment, improper use, inadequate maintenance, unapproved modification, or neglect of this product.