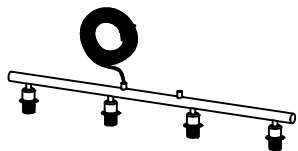


ASSEMBLY INSTRUCTION

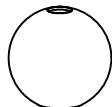
4-GLASS GLOBE PENDENT LIGHT

A Light Body



1pc

B Glass Shade
Ø110*101mm



4pcs

C Tube



6pcs

D Ring
Ø42*8mm



4pcs

E Nut Cap
Ø9*10mm



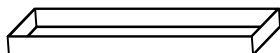
2pcs

F Flat Washer
Ø5/32"*12mm



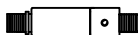
2pcs

G Ceiling Base



1pc

H Assist Connector
Ø16*60mm



2pcs

I Screw
38*17mm



2pcs

J Bolt
Ø5/32"*25mm



2pcs

K Wire Connector
Ø9.9*17.7mm



2pcs

L Wire Connector
Ø8.6*15.2mm



1pc

M BULB(Not provided)
E12



4pcs

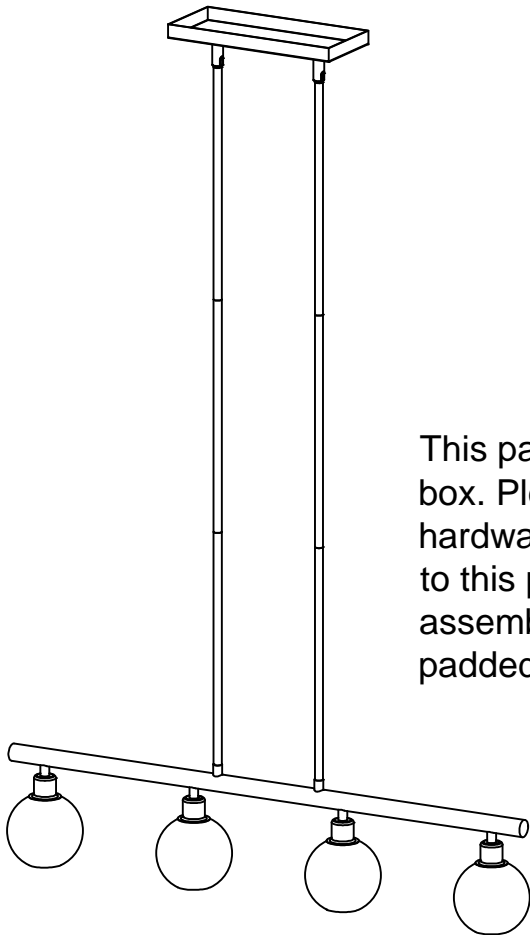
N Helping Tool



1pc

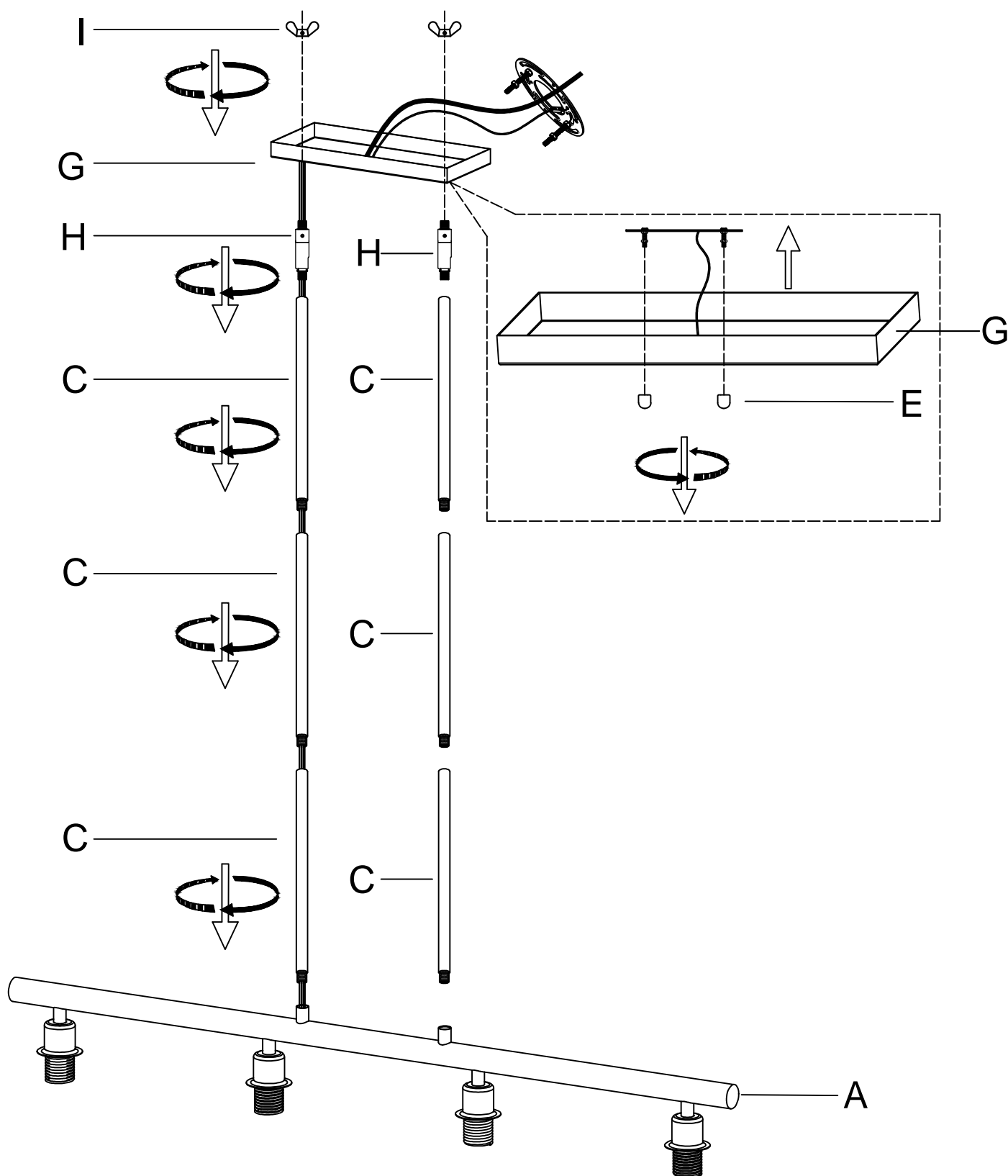
IMPORTANT SAFETY INSTRUCTIONS

THIS PENDANT LAMP HAS A POLARIZED PLUG (ONE BLADE IS WIDER THAN THE OTHER) AS A SAFETY FEATURE TO REDUCE THE RISK OF ELECTRIC SHOCK. THIS PLUG WILL FIT IN A POLARIZED OUTLET ONLY ONE WAY. IF THE PLUG DOES NOT FIT FULLY IN THE OUTLET, REVERSE THE PLUG. IF IT STILL DOES NOT FIT, CONTACT A QUALIFIED ELECTRICIAN. NEVER USE WITH AN EXTENSION CORD UNLESS PLUG CAN BE FULLY INSERTED. DO NOT ALTER THE PLUG.



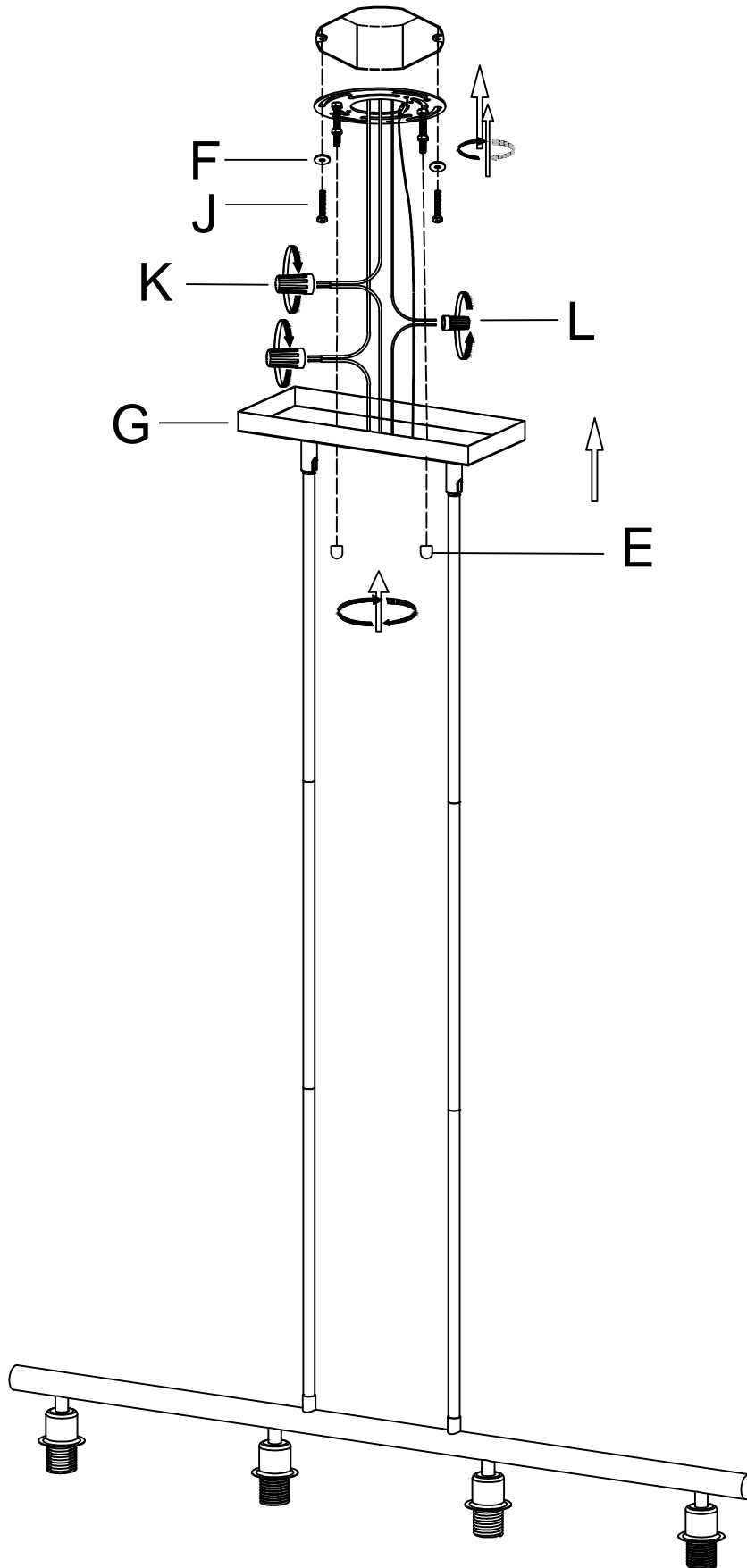
This page lists all the contents included in the box. Please take the time to identify the hardware as well as the individual components to this product. As you unpack and prepare for assembly, place the contents on a carpeted or padded area to protect them from damage.

1 Remove Nut Cap (E) from Ceiling Base (G), and pull out the bracket from Ceiling Base (G). Pull out the cable from Light Body (A) to through all Tube (C) & Ceiling Base (G), then rotate all Tube (C), next assemble Tube (C) with Light Body (A) & Assist Connector (H). Finally assemble Assist Connector (H) to Ceiling Base (G) by Screw (I) to fix tightly.



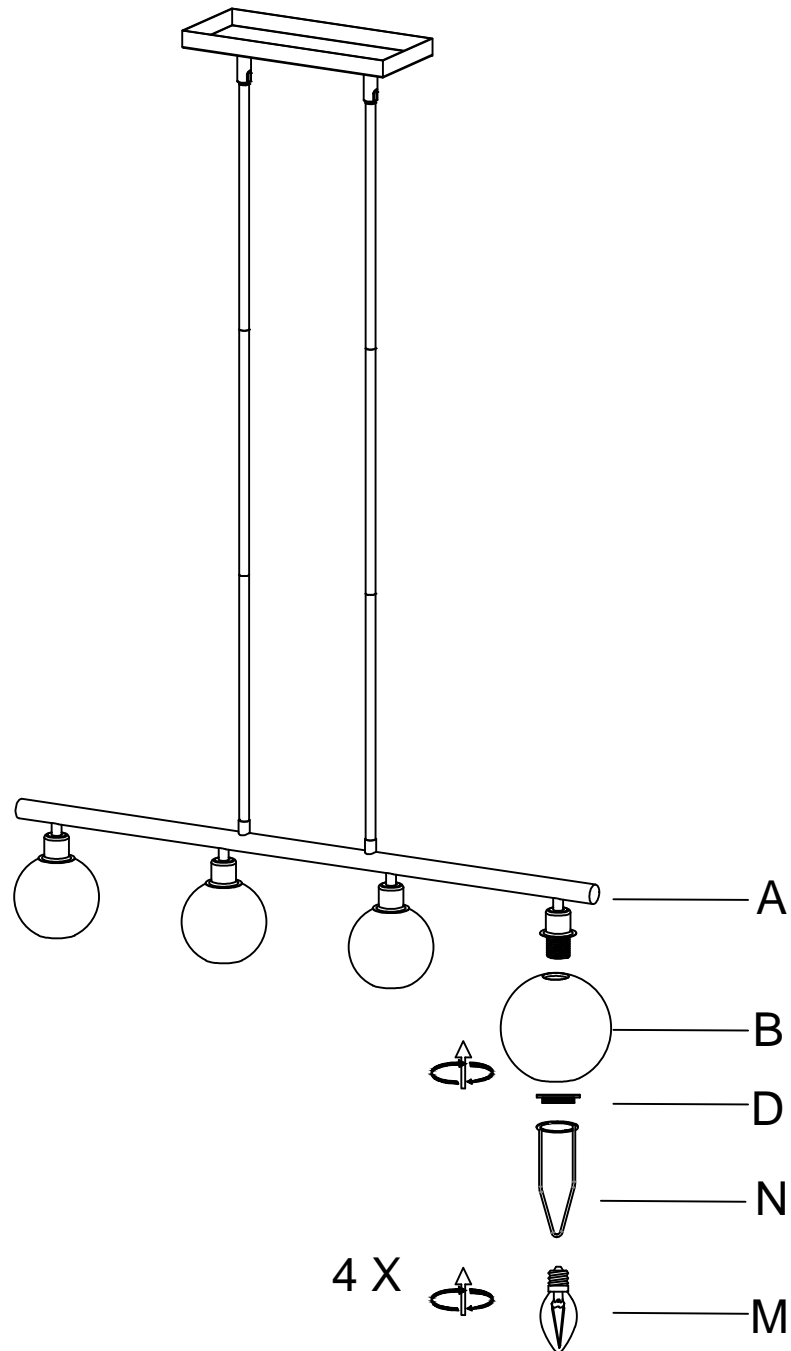
2

Firstly, connect the Wire Connection (K) & Wire Connection (L) together with wire and then fix the bracket on the ceiling with Bolt (J) and Flat Washer (F) by serewdriver. Secondly, put the Ceiling Base (G) back to cover the bracket and using Nut Cap (E) to fix them.



3

Put the Glass Shade (B) to the Light Body (A) using Ring (D) to tight by Helping Tool (N). Then, assemble the Bulb (M) to the lamp holder in the Glass Shade (B).



Cleaning & Care

Treat surface with care. Surface is resistant to scratches but is not scratch resistant. Clean surfaces with a dry or damp soft cloth. Do not use abrasive cleaners. Hardware may loosen over time. Periodically check that all connections are tight.