

HEKMAN®

A HOWARD MILLER COMPANY
Grand Rapids, Michigan

INSTALLATION INSTRUCTIONS









Pattern Description 23722/24922/26022 armchair

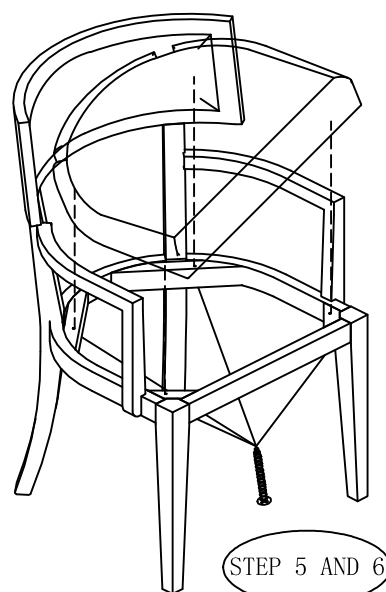
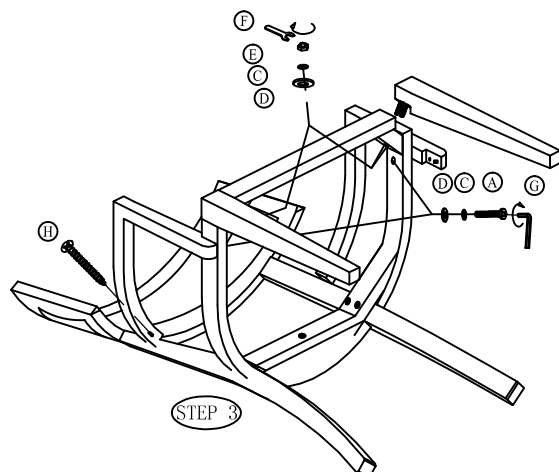
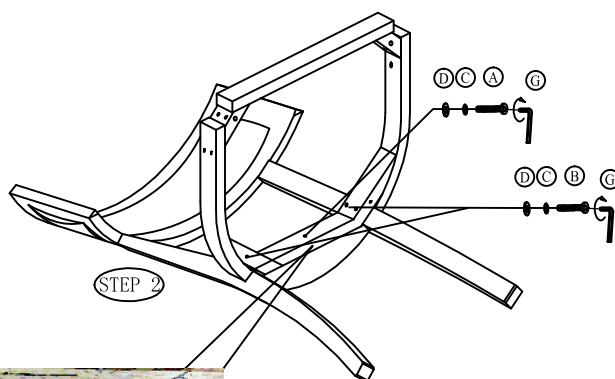
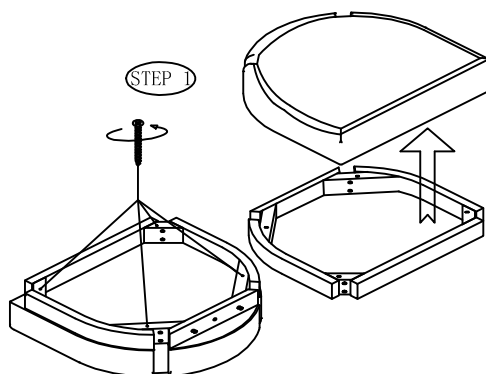
DO NOT SCALE SKETCHES
COPYRIGHT 1997 HEKMAN FURNITURE COMPANY

Pattern Number(s)
23722/24922/26022

Drawn By Amy

Date 3/14/22

PARTS			Q' TY
A		5/16*2"	3
B		5/16*3"	4
C		5/16 "	11
D		5/16 "	11
E		5/16 "	4
F		13MM	1
G		5MM	1
H		8*1-1/2"	2



TO ASSEMBLE: (Two people required)

Step 1: Remove the upholstered seat cushion from the seat frame and keep the four screws (which will be used in step 5).

Step 2: Place the Chair Back on a padded surface, and assemble the Chair Seat frame to the Chair Back (as shown in Step 1), using one short bolts (A) and four long bolts (B) with five lock washers (C) and five flat washers (D) tighten with the wrench (G). Do not fully tighten any bolts until after chair has been completely assembled.

Step 3: Attach both front legs to the seat frame using four nuts (E), and four lock washers (C) and four flat washer (D) Tighten with the wrench (F).

Attach the arms to the seat frame using two short bolts (A) with two lock washer (C) and flat washer (D) with the wrench (G).

Attach both the top of the arm to the back of the chair using two wood screw (H) from the inside.

Step 4: Set the chair upright on a flat surface adjust the front legs so all four chair legs touch the floor.

Step 5: Tighten the nuts on the front legs first. Tighten all Bolts and Screw in chair frame.

Step 6: Put the seat cushion in and fasten the cushion to the seat frame with four screws.