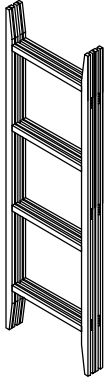


ASSEMBLY INSTRUCTION

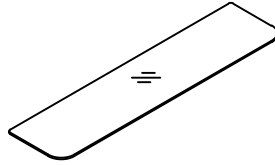
BOOKCASE WITH CLEAR TEMPERED GLASS SHELVES

A Frame



1pc

B Glass



4pcs

C Glass Pad
Ø12x2mm



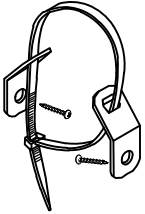
24pcs

D Leveler
Ø1/4"x16mm



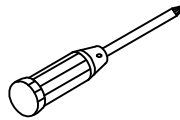
8pcs

E Anti-Tipping Kit

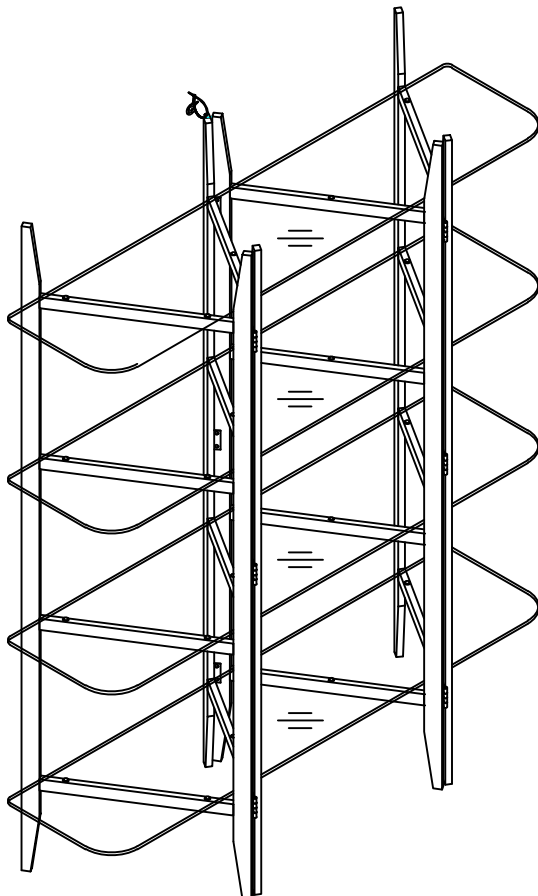


1set

F Screwdriver
(Not Provided)




1pc

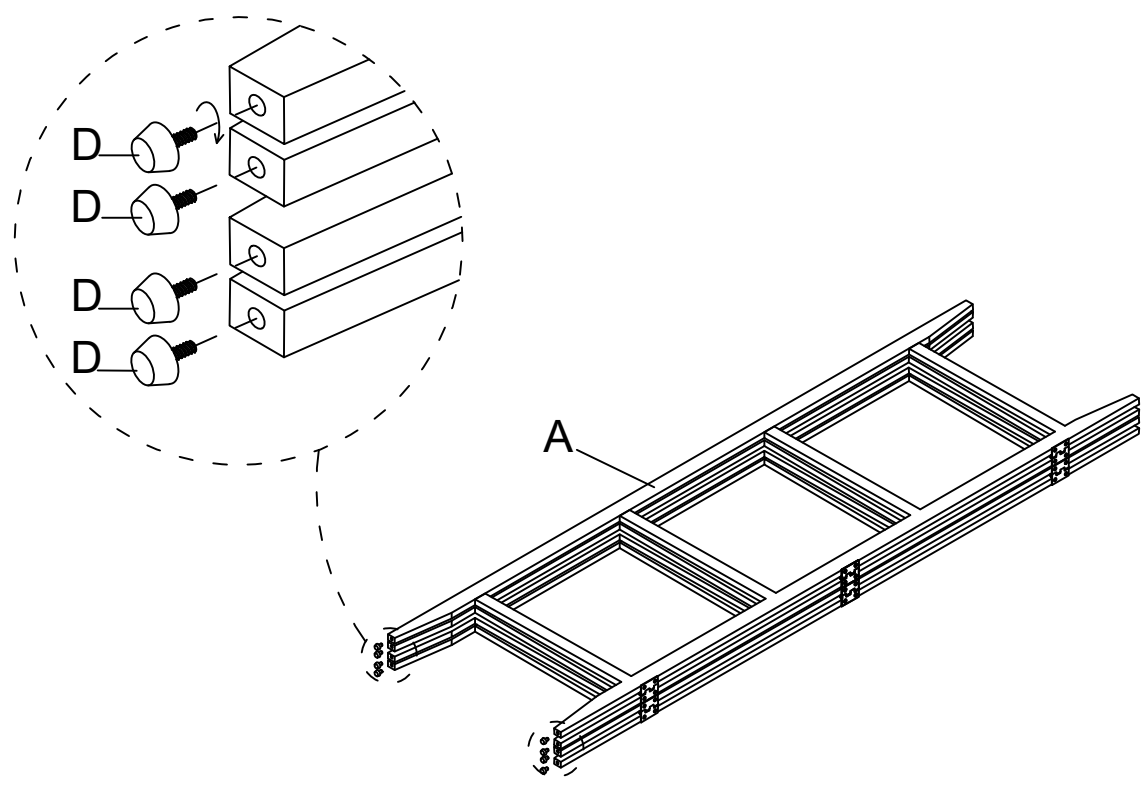


This page lists all the contents included in the box. Please take the time to identify the hardware as well as the individual components to this product.

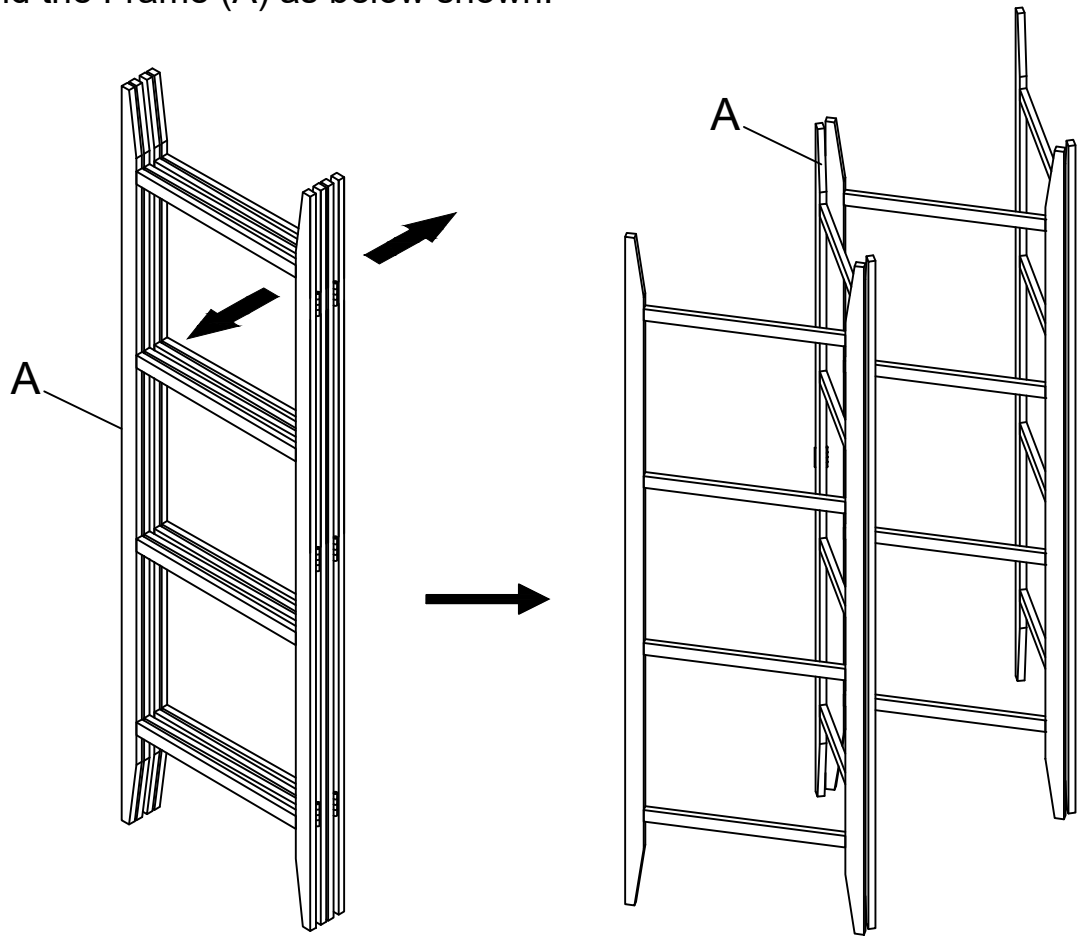
As you unpack and prepare for assembly, place the contents on a carpeted or padded area to protect them from damage.

1 Assemble Leveler (D) to the bottom of Frame (A) as below shown.

D  8pcs

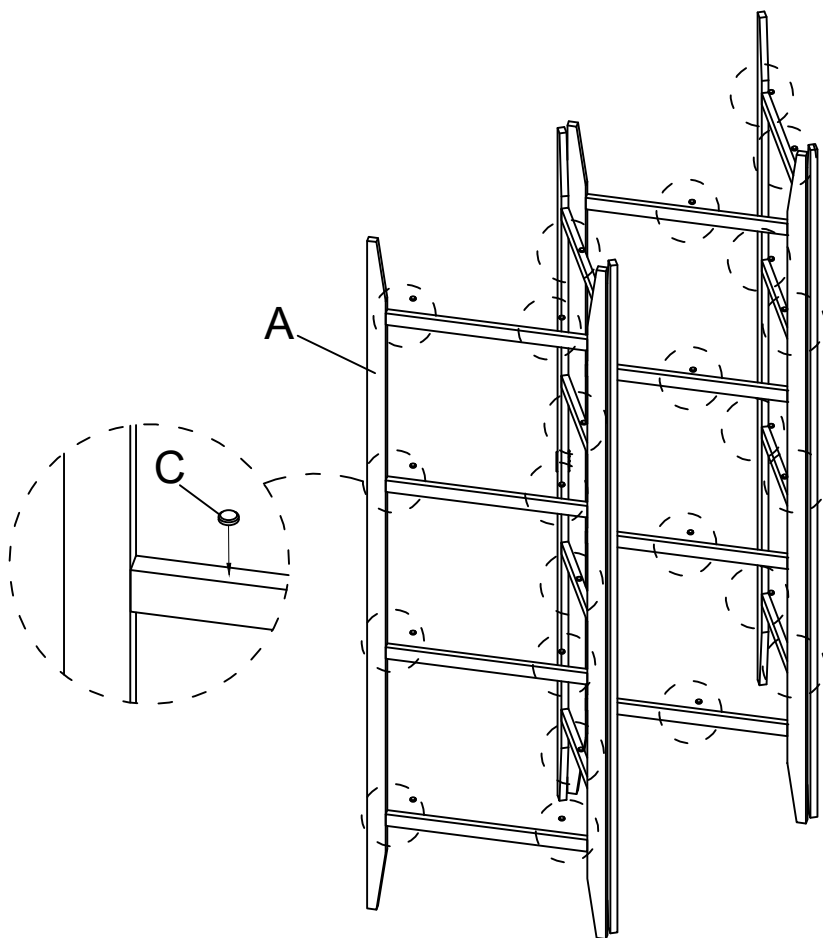


2 Unfold the Frame (A) as below shown.

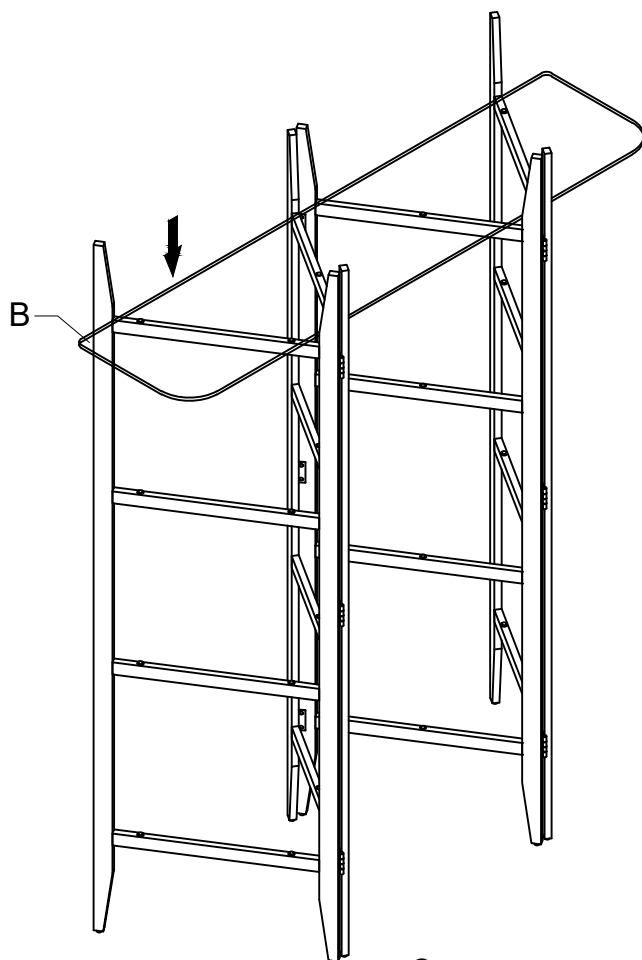


3 Assemble Glass Pad (C) to each cross bar of Frame (A) as below shown.

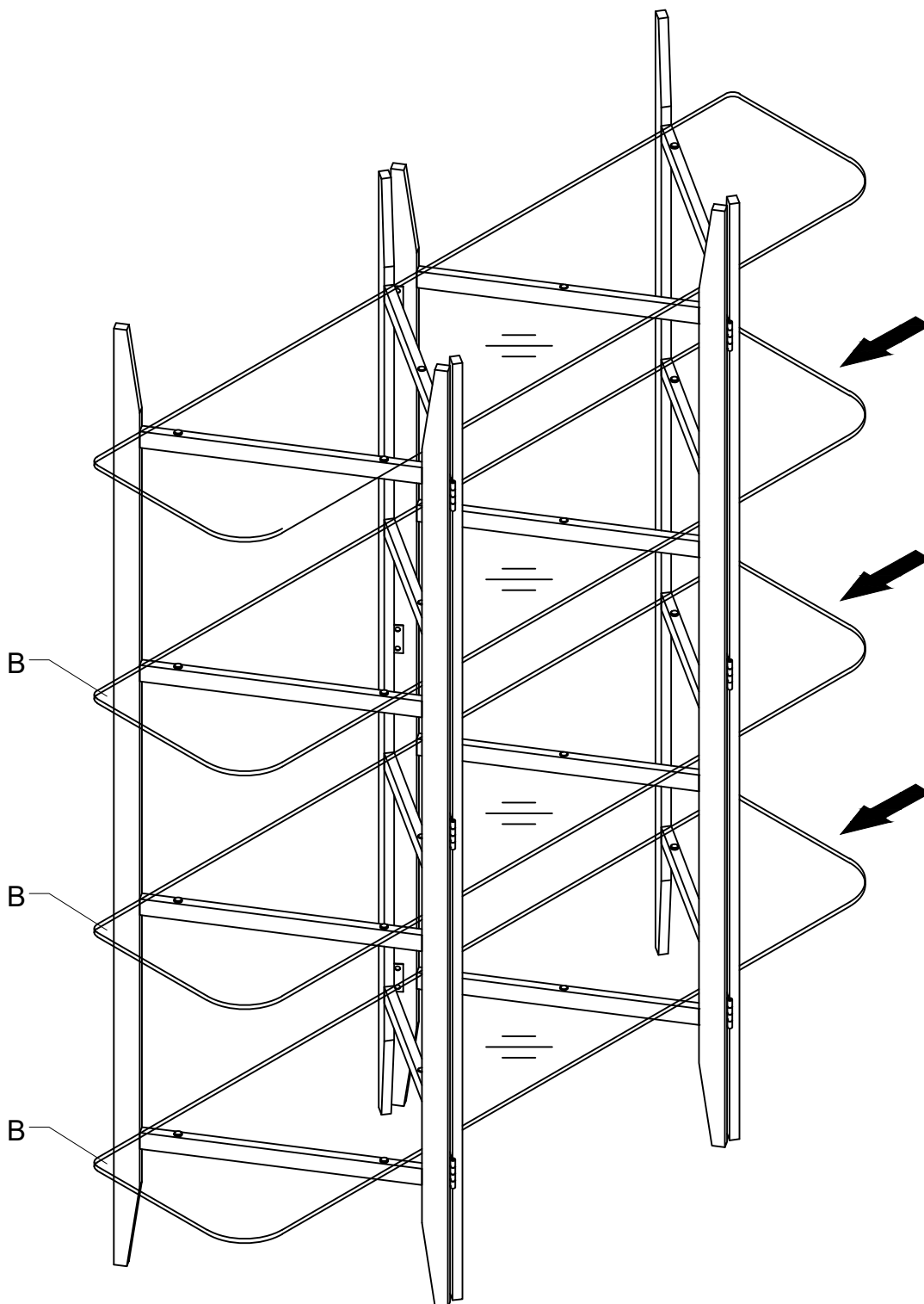
C  24pcs



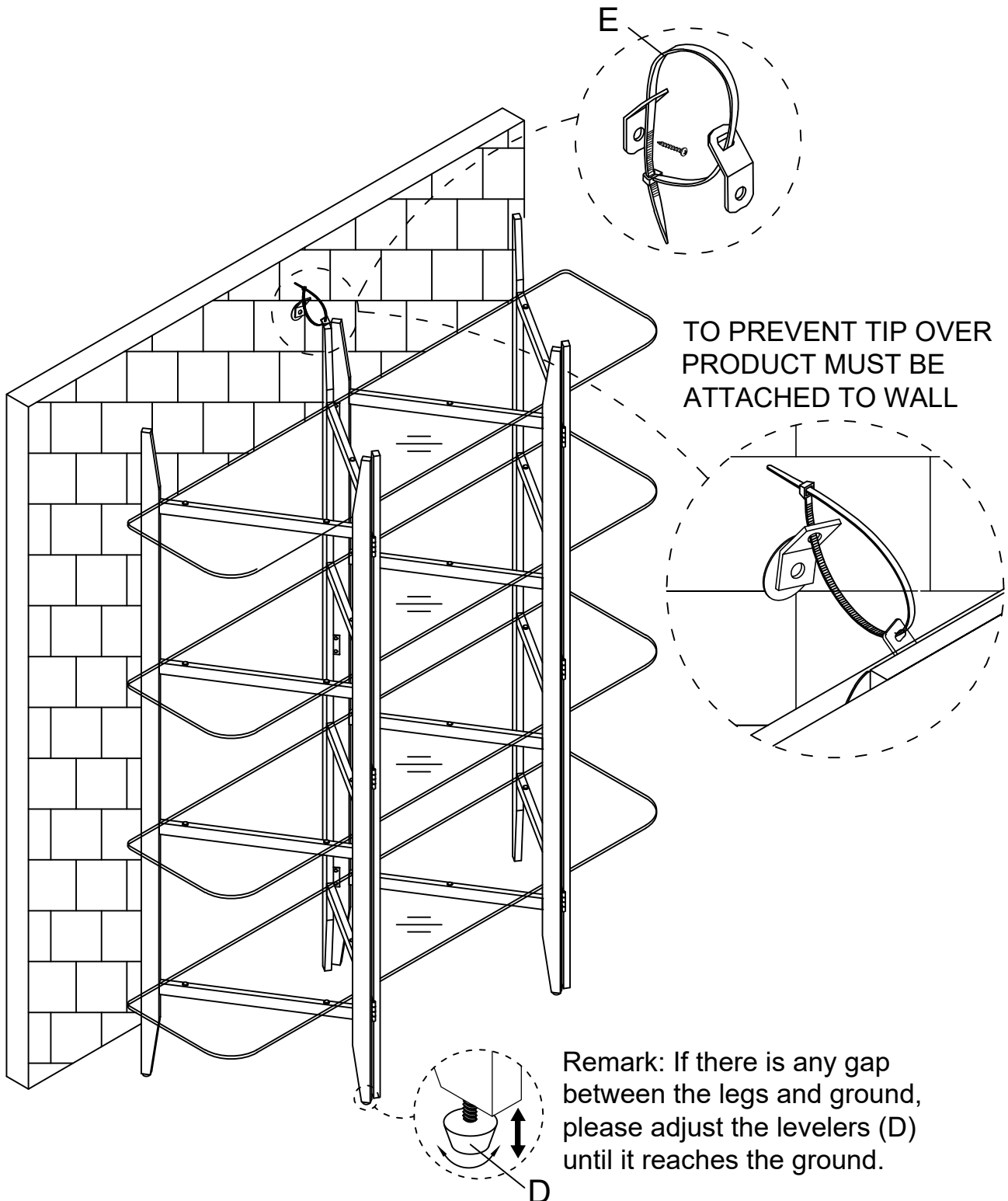
4 Put all of Shelf Board (B) to the Glass Pad (D) on Frame (A) as below shown.



5 Put all of Shelf Board (B) to the Glass Pad (D) on Frame (A) as below shown.



6 Remark: there is a tip restraint kit provided on the back of this product. Please read the instruction thoroughly and install immediately when placed in home. To prevent tip over, the product must be attached to wall.



Adjust any parts out of alignment and tighten all bolts and screws from steps 1 through 6.

Cleaning & Care

Treat surface with care. Surface is resistant to scratches but is not scratch resistant. Clean surfaces with a dry or damp soft cloth. Do not use abrasive cleaners. Hardware may loosen over time. Periodically check that all connections are tight.