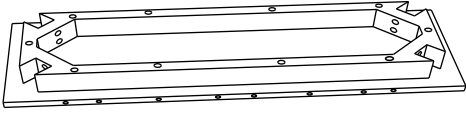
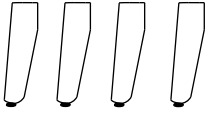
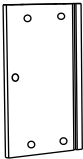
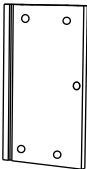

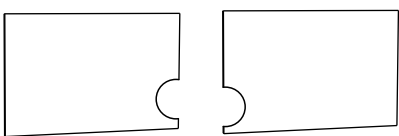
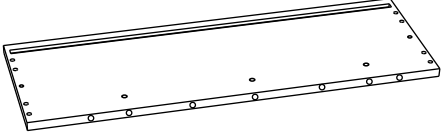
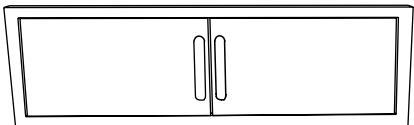






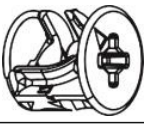

ASSEMBLY INSTRUCTIONS

McCutcheon 2- Door Low Media Cabinet

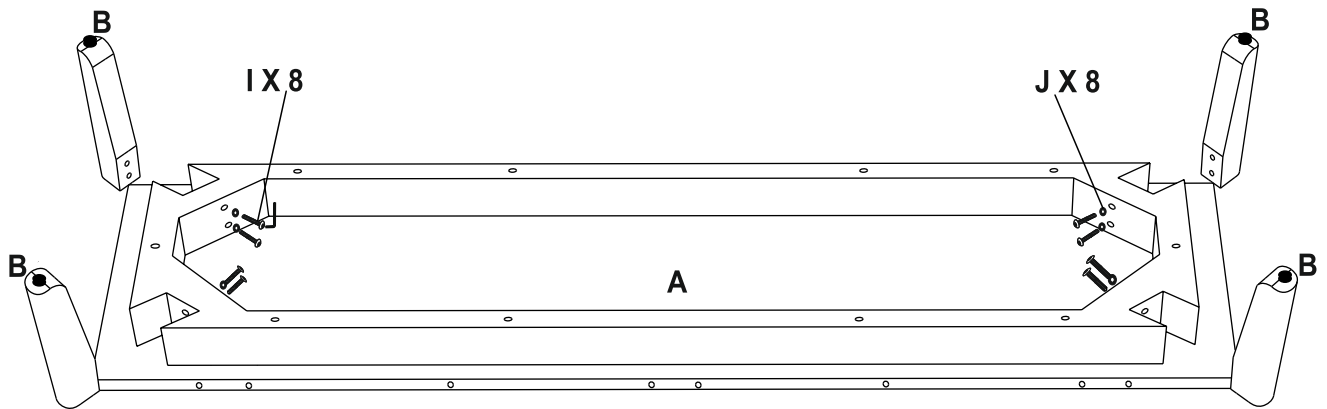
PART LIST :-

NO.	DESCRIPTION	IMAGE	QTY
A	BOTTOM		1
B	LEGS		4
C	LEFT SIDE PANNEL		1
D	RIGHT SIDE PANNEL		1
E	CENTER PANNEL		1
F	BACK		2
G	TOP		1
H	FRAME WITH PRE-ATTACHED DOOR		1

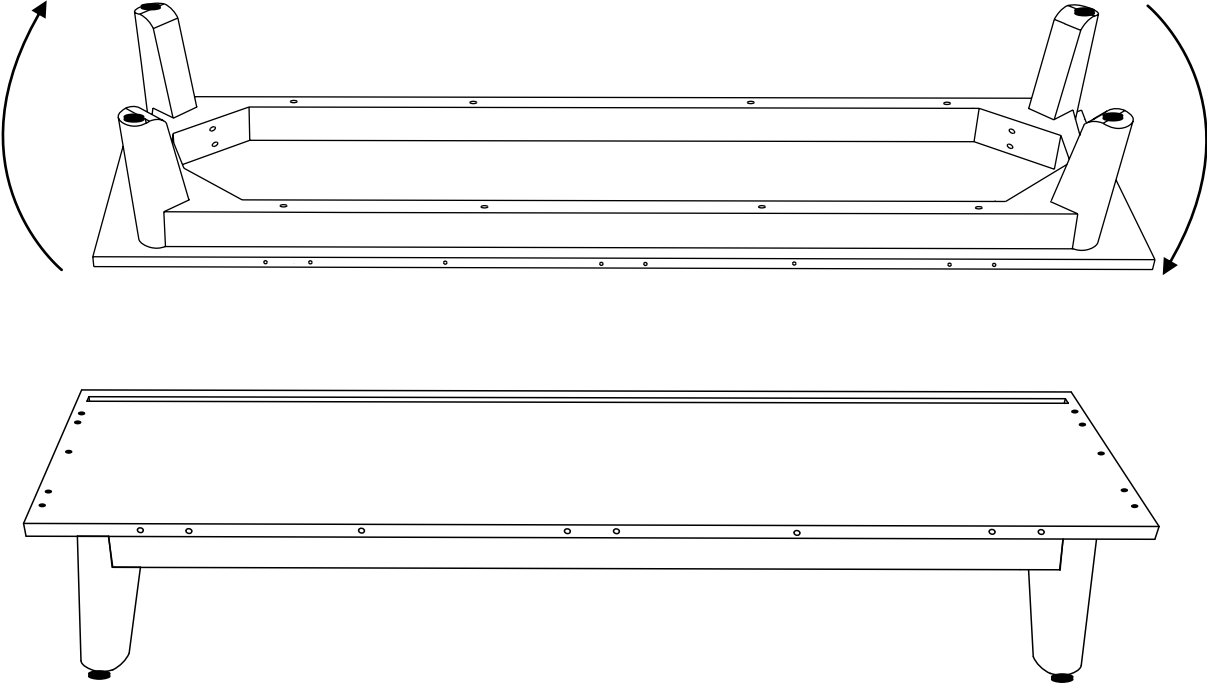
HARDWARE LIST :-

NO.	DESCRIPTION	IMAGE	QTY
I	ALLEN SCREWS	 M6x50	8
J	WASHER	 M6x16	8
K	DOWEL	 8x40mm	32
L	MINIFIX	 10x40mm	20
M	CAMLOCK	 12x15mm	20
N	ALLEN KEY		1

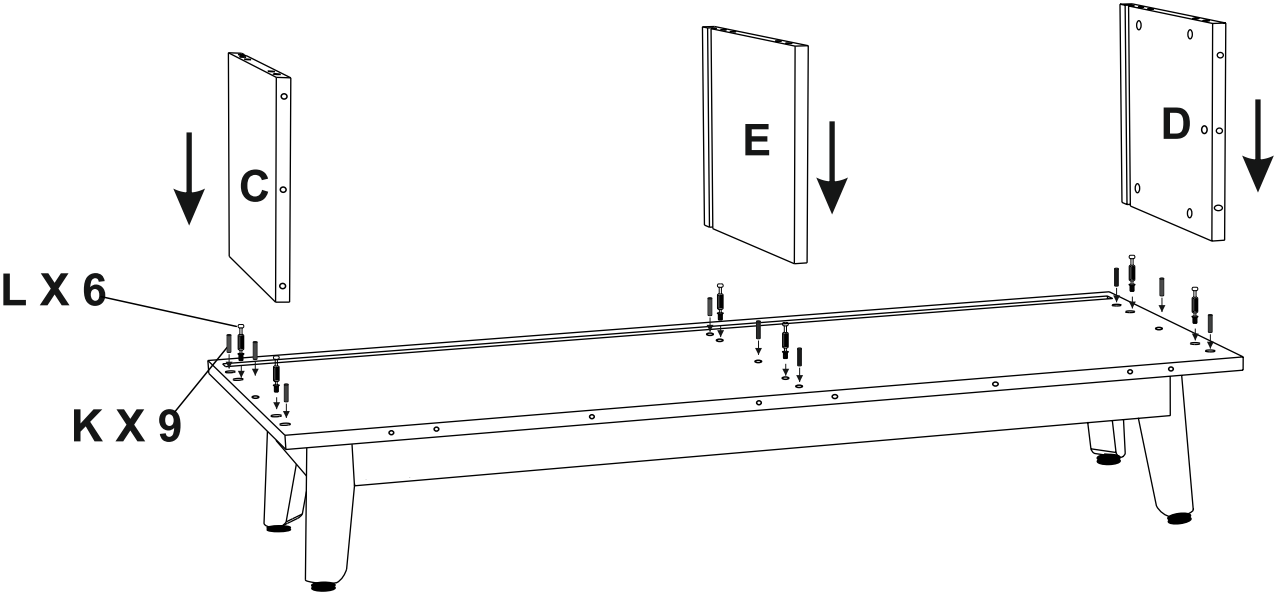
STEP:- 1



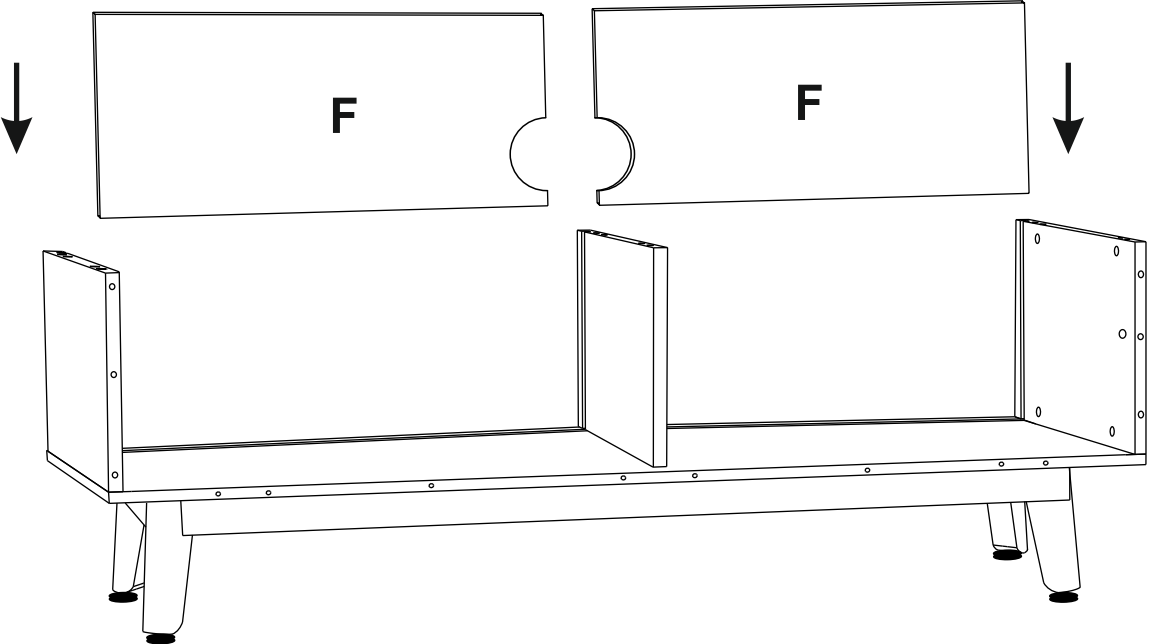
STEP:- 2



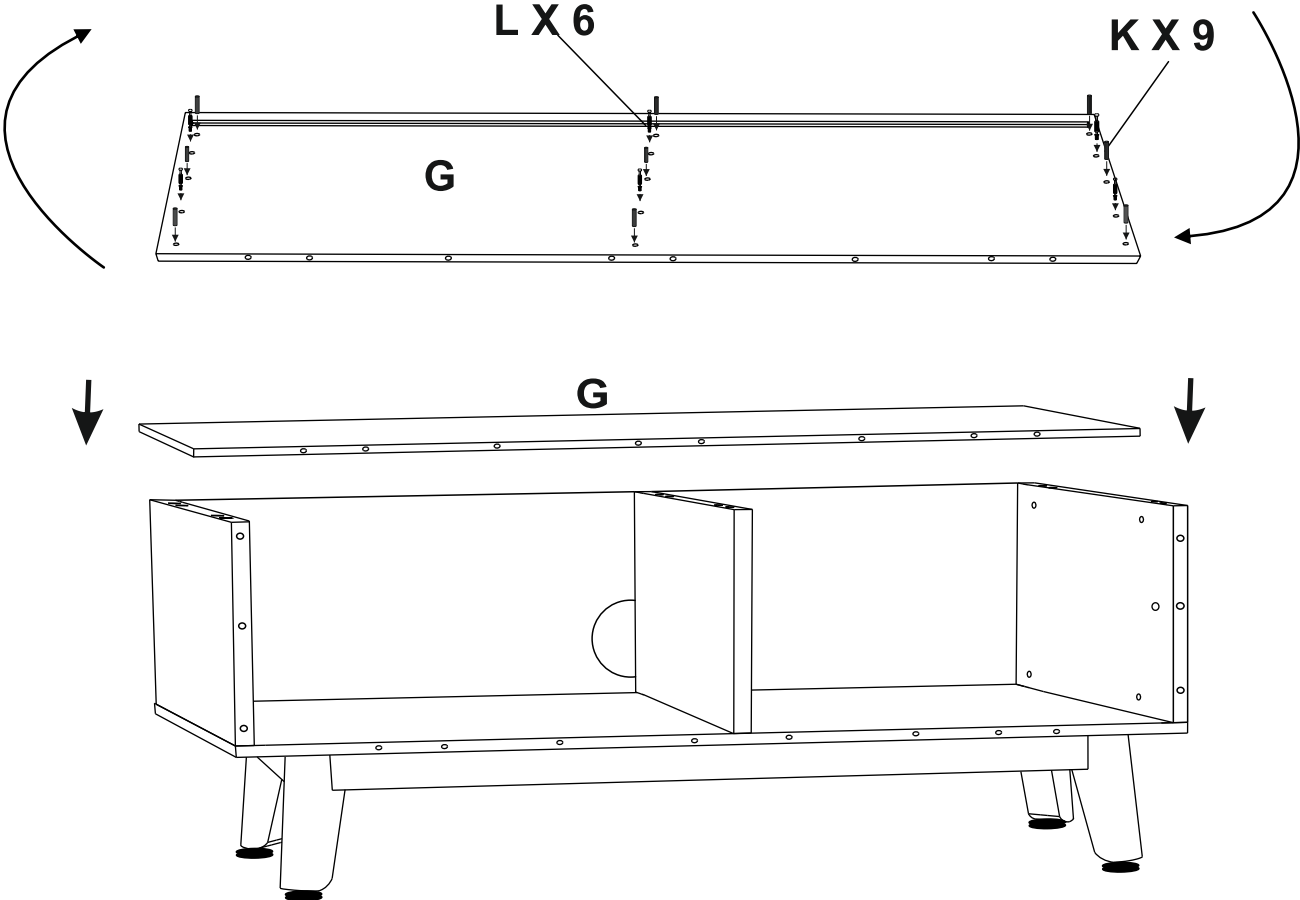
STEP:- 3



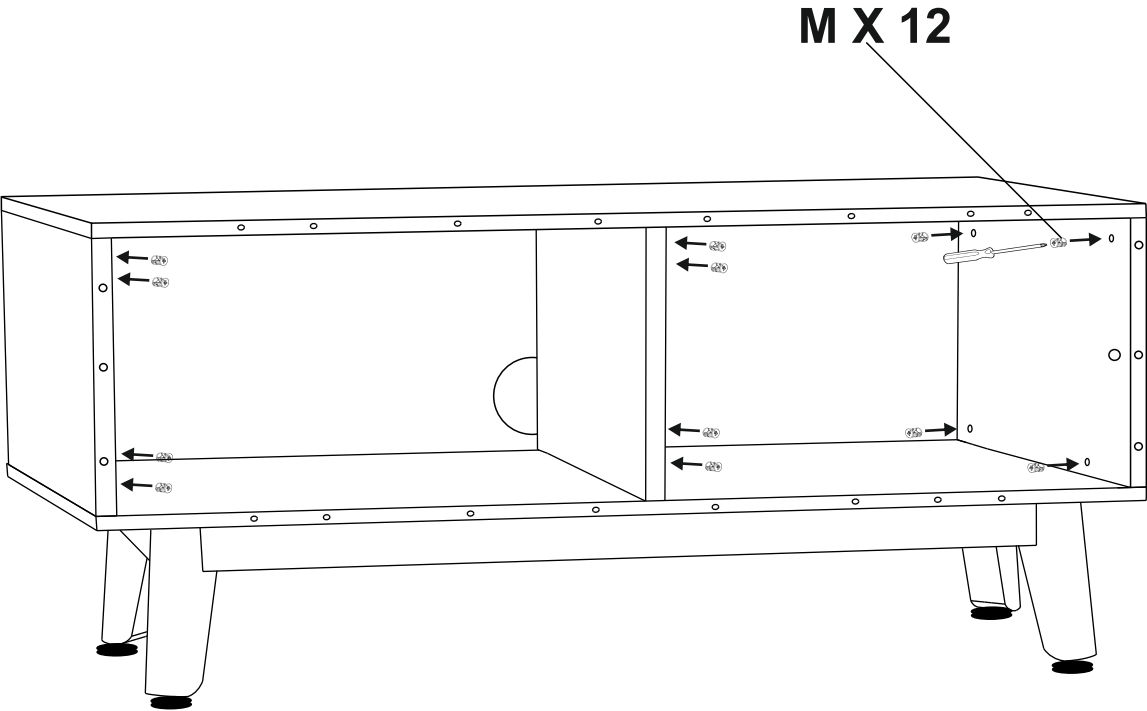
STEP:- 4



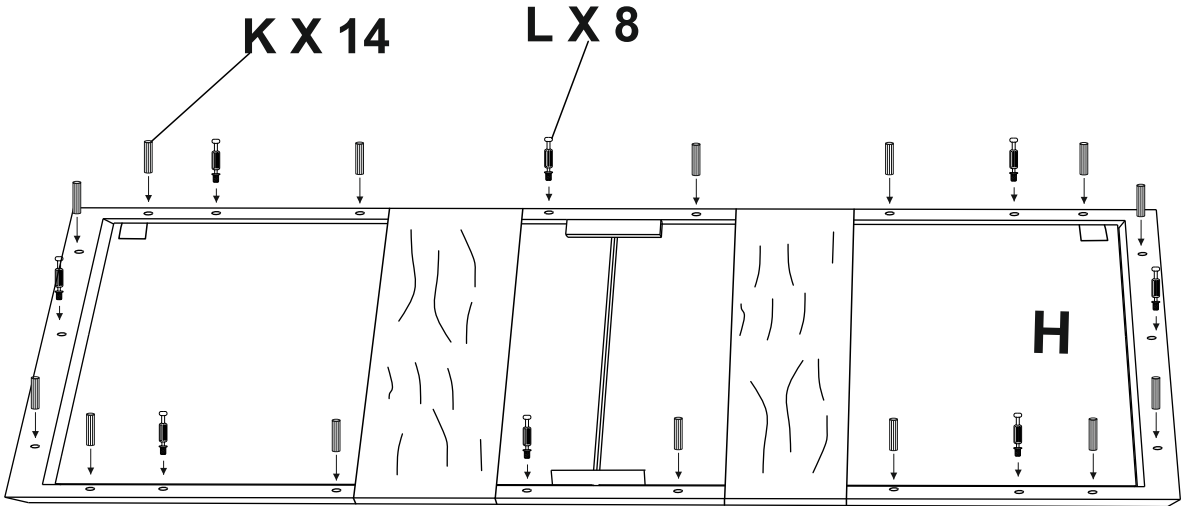
STEP:- 5



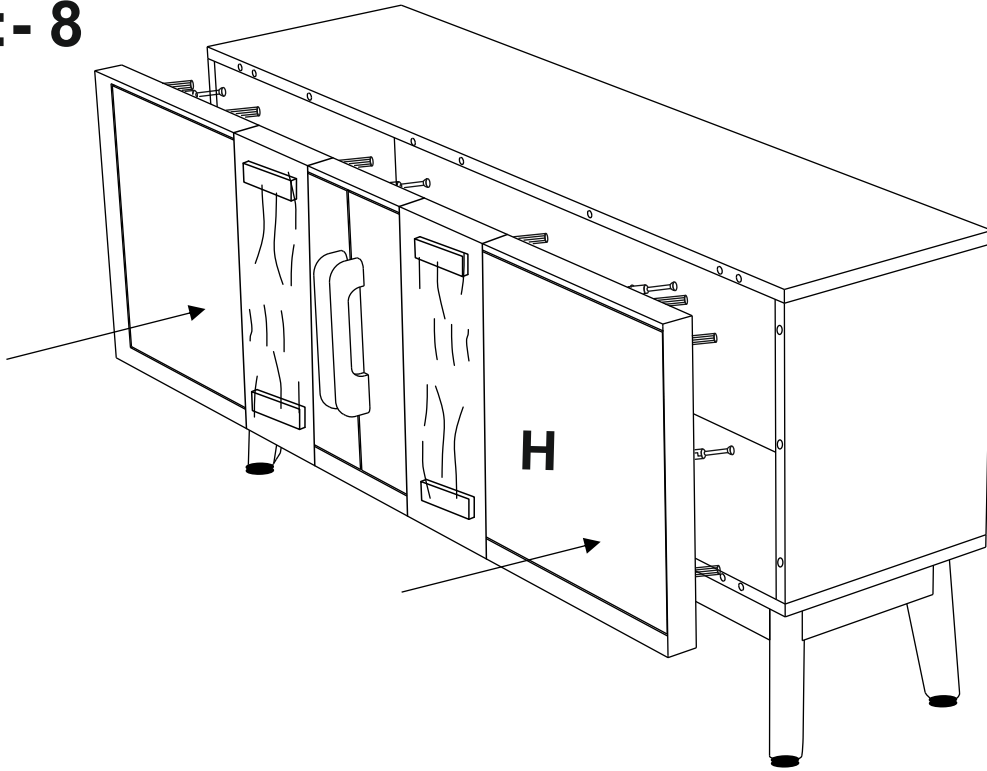
STEP:- 6



STEP:- 7

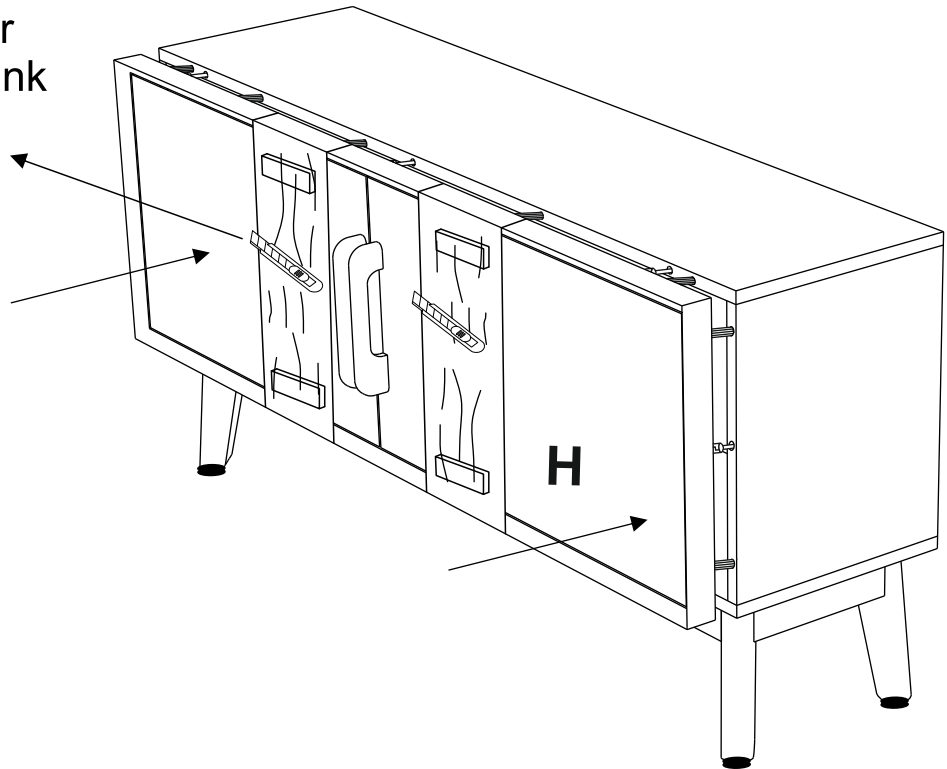


STEP:- 8

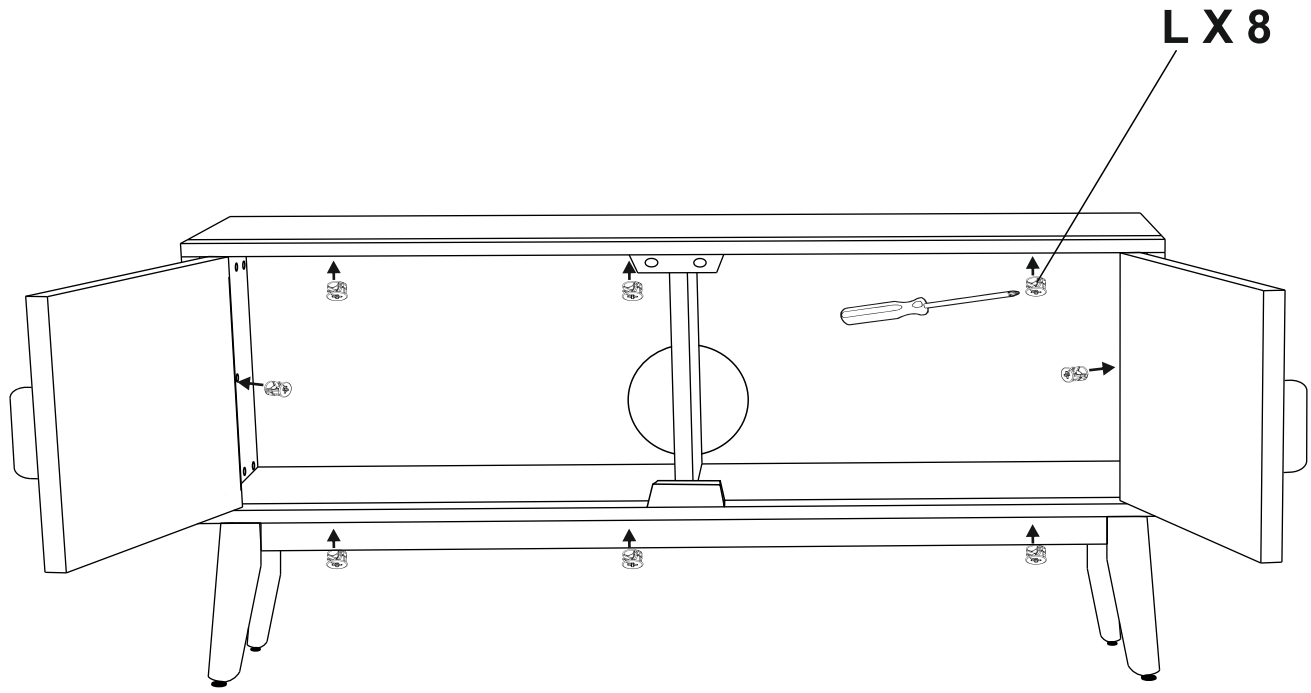


STEP:- 9

Use Paper Cutter
for removing shrink
wrap before final
door assmebly.



STEP:- 10



STEP:- 11

