



**Features**

- 18-3/4" (476 mm) apron
- 3" (76 mm) drain-to-floor clearance for above-floor drain installation
- Suitable for tile-down applications
- Integral apron for quick installation

**Material**

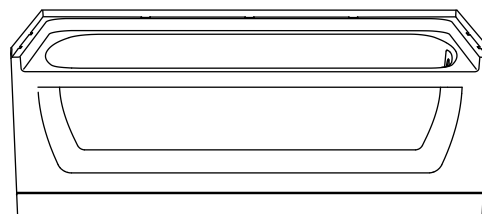
- Made from solid Vikrell® material for strength, durability, and lasting beauty

**Installation**

- Alcove
- Right drain
- Above-floor-drain (AFD) rough-in

**Recommended Products/Accessories**

- 71374100 60" x 30" Vikrell® bath/shower wall set
- 71474100 60" x 30" Vikrell® bath/shower wall set
- 71574100 60" x 30" Vikrell® bath/shower wall set



**ADA** **OBC**

**Codes/Standards**

- CSA B45.5/IAPMO Z124
- ASTM E162
- ASTM E662
- ADA
- ICC/ANSI A117.1
- OBC
- HUD, UM Bulletin 73

**STERLING® Vikrell® or Acrylic Baths and Shower Bases Ten-Year Limited Warranty**

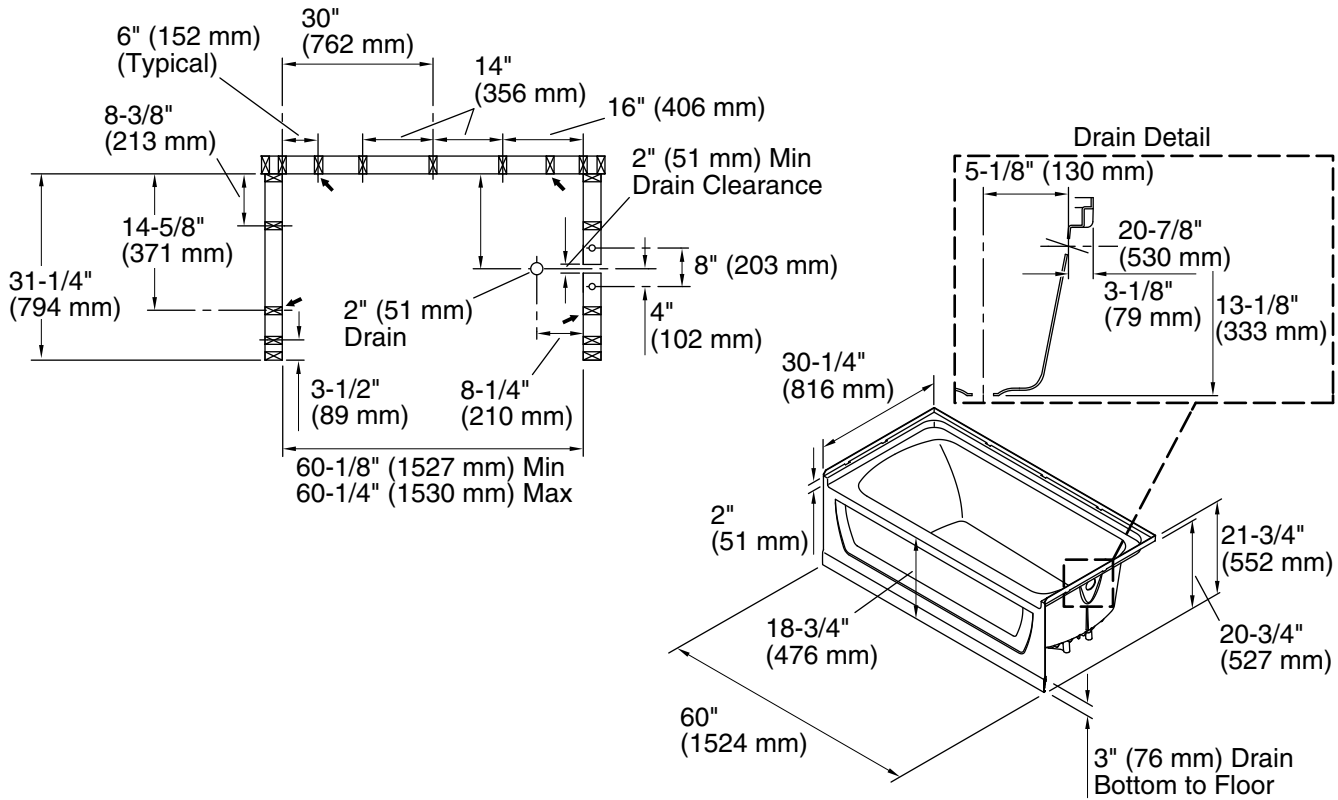
See website for detailed warranty information.

**Available Colors/Finishes**

*Color tiles intended for reference only.*

**Color Code Description**

	0	White
--	---	-------



**Technical Information**

All product dimensions are nominal.

Drain location:	Right
Basin area, bottom:	45" x 20" (1143 mm x 508 mm)
Basin area, top:	53" x 23" (1346 mm x 584 mm)
Water depth:	11-1/4" (286 mm)
Water capacity:	44 gal (166.6 L)
Minimum flat for door:	2-3/4" (70 mm)
Maximum door width:	57-11/16" (1465 mm)

**Notes**

- Install this product according to the installation instructions.
- Studs should be positioned roughly as shown. Double studding is recommended for pivot shower door installations.
- Felt pad not required for installation.
- ADA, OBC compliant when installed to the specific requirements of these regulations.