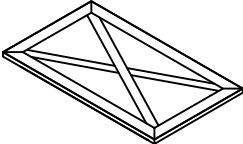
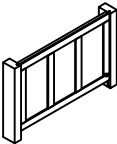
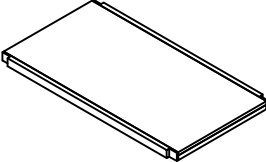
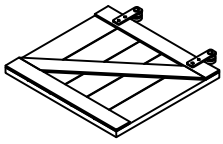
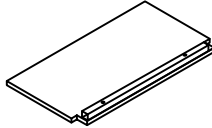

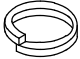





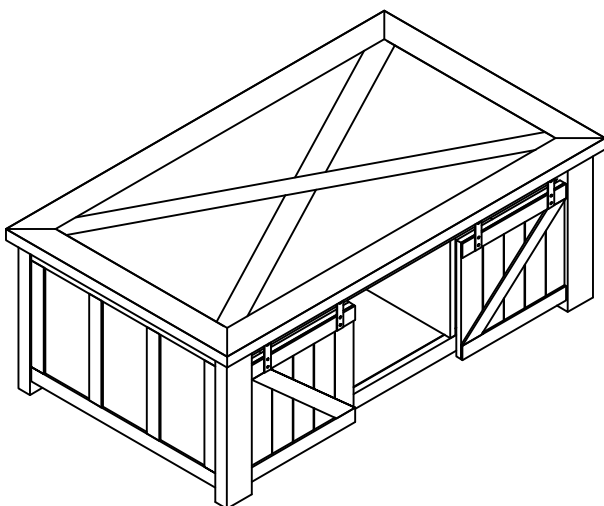


ASSEMBLY INSTRUCTION

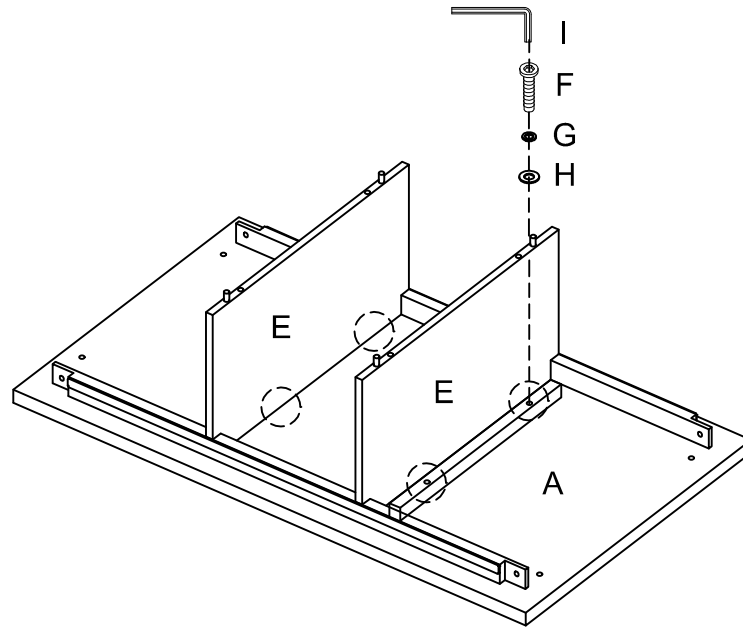
COFFEE TABLE

A Top Panel  1PC	B Leg  2PCS	C Bottom Panel  1PC	D Door Panel  4PCS
E Vertical Panel  2PCS	F Bolt 1/4"x1-1/2"  24PCS	G Lock Washer 1/4"  24PCS	H Flat Washer 1/4"x16mm  24PCS
I Allen Key 4mm  1PC	J Caster 2"  4PCS	K Screw #8x5/8"  24PCS	L Metal Plate 45x30x10mm  4PCS

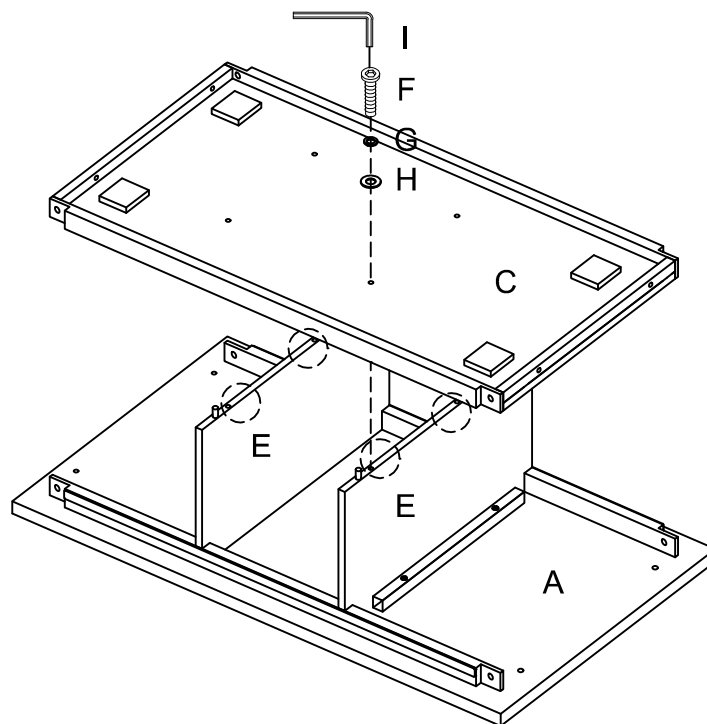


This page lists all the contents included in the box. Please take the time to identify the hardware as well as the individual components to this product. As you unpack and prepare for assembly, place the contents on a carpeted or padded area to protect them from damage.

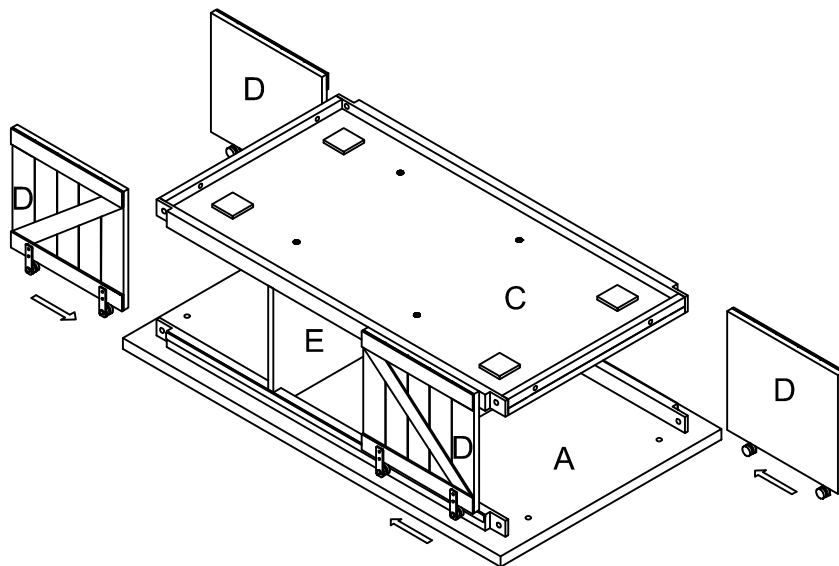
-
- 1** Attach 2pcs Vertical Panel (E) to Top Panel (A) by using Bolt (F), Lock Washer (G) and Flat Washer (H) with Allen Key (I).



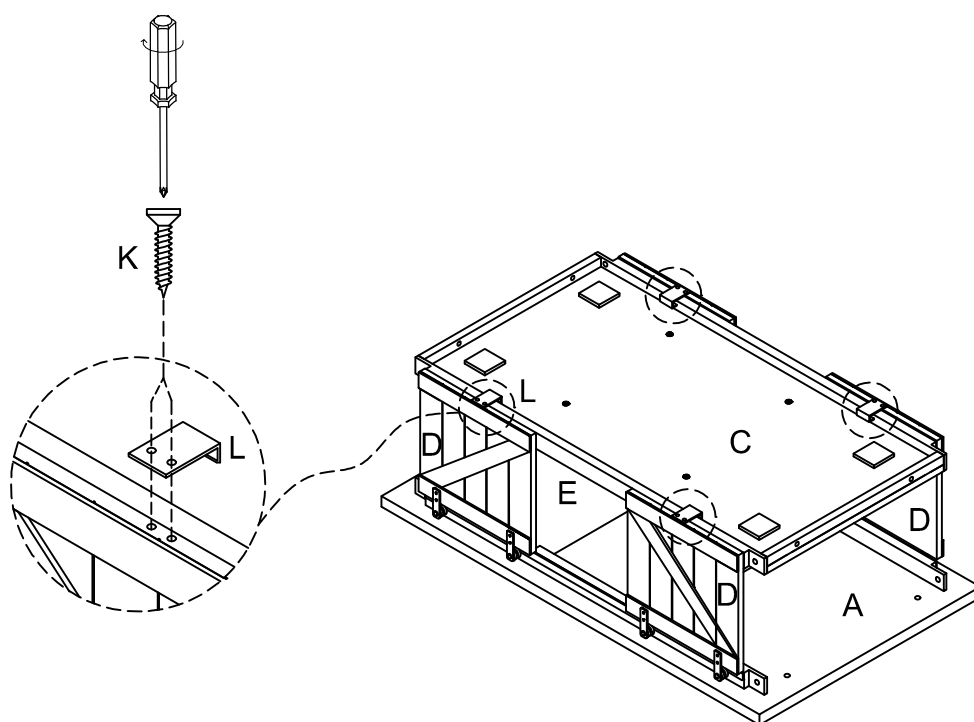
-
- 2** Attach Bottom Panel (C) to Vertical Panel (E) by using Bolt (F), Lock Washer (G) and Flat Washer (H) with Allen Key (I).



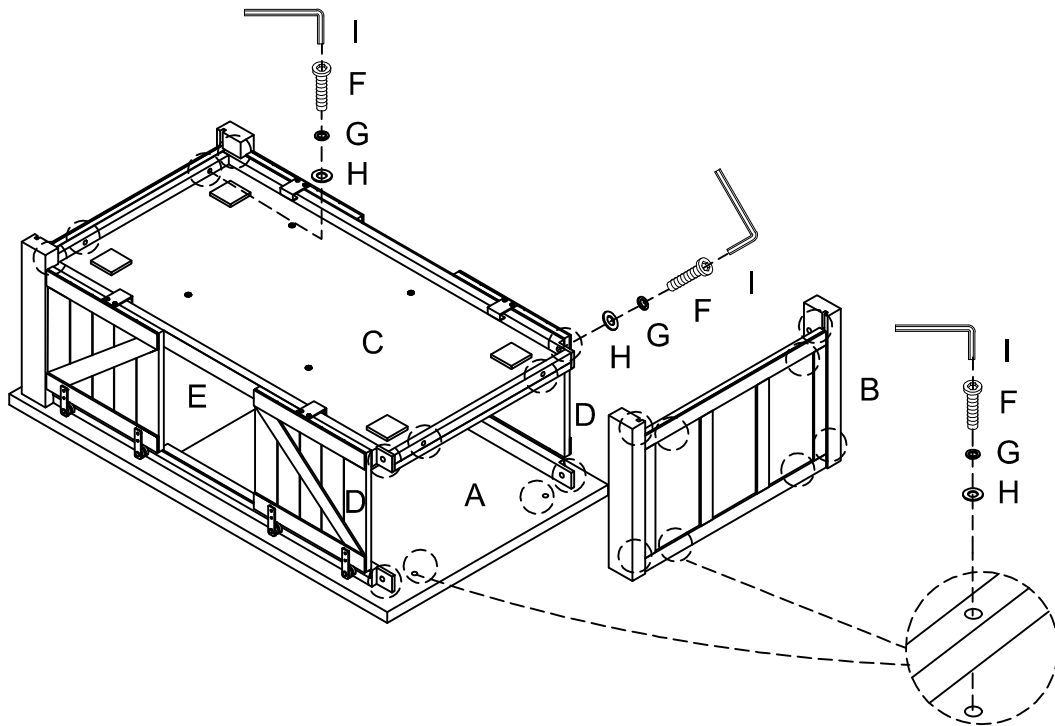
- 3** Insert 4pcs Door Panel (D) to Top Panel (A) and Bottom Panel (C) as shown below.



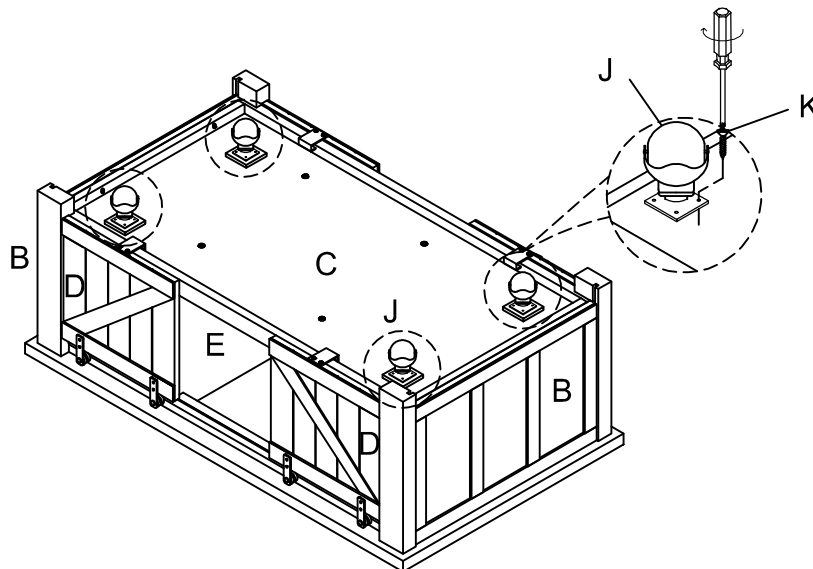
- 4** Attach Metal Plate (L) to Bottom Panel (C) by using Screw (K) with Screwdriver (not provided) as shown below.



- 5** Attach 2pcs Leg (B) to Top Panel (A) and Bottom Panel (C) by using Bolt (F), Lock Washer (G) and Flat Washer (H) with Allen Key (I).



- 6** Attach 4pcs Caster (J) to Bottom Panel (C) by using Screw (K) with Screwdriver (not provided).



Cleaning & Care

Treat surfaces with care. Surfaces are resistant to scratches but are not scratch resistant. Clean surfaces with a dry or damp soft cloth. Do not use abrasive cleaners. Hardware may loosen over time. Periodically check that all connections are tight.