

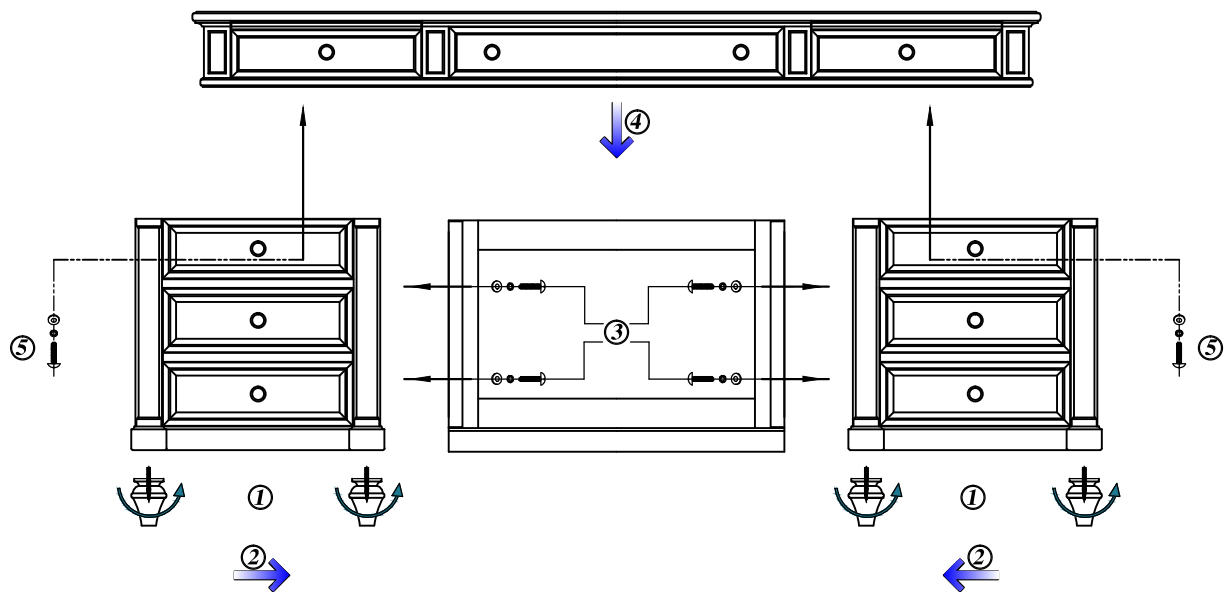
HEKMAN

X A HOWARD MILLER COMPANY

ASSEMBLY INSTRUCTIONS

7-9100 EXECUTIVE DESK

NO.	五金目录	数量
A	 Bolt 5/16"*1-25/32"L	12
B	 Lock Washer 5/16"Dia	12
C	 FIAT Washer 5/16"Dia	12



1. Lay pedestals on their side or back to attach feet. Rotate the bun feet clockwise, tightened by hand.
2. Assemble pedestals with modesty panel using bolts, washers, & lock washers provided.
3. Remove top drawer from each pedestal. Pull drawer to full out position, press levers in center of drawer slide (one up, one down) to remove drawer.
4. Place top assembly on pedestals and align hardware holes.
5. Attach top assembly using bolts, washers, and lock washers provided.
6. Install drawers into pedestals. Align drawer members and slide drawer in, the first time closing the drawer the bearings have to slide and not roll so the drawer will go in hard at first.