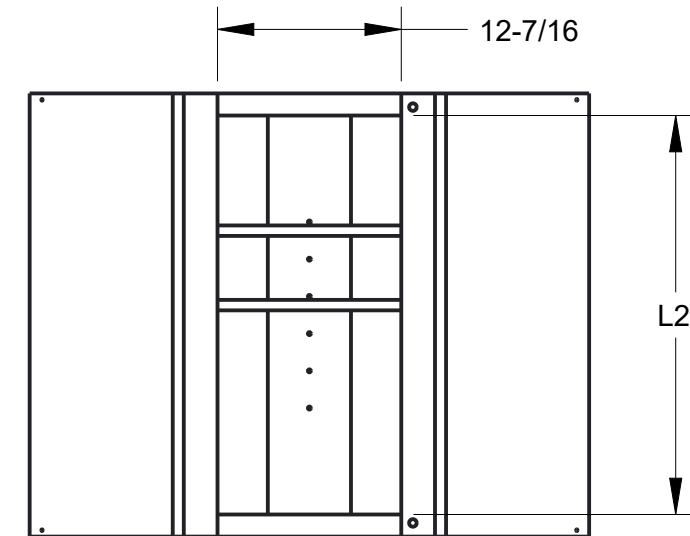
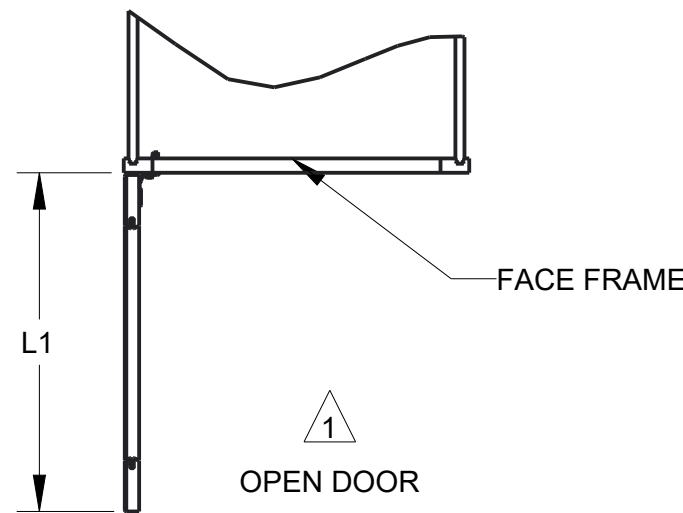
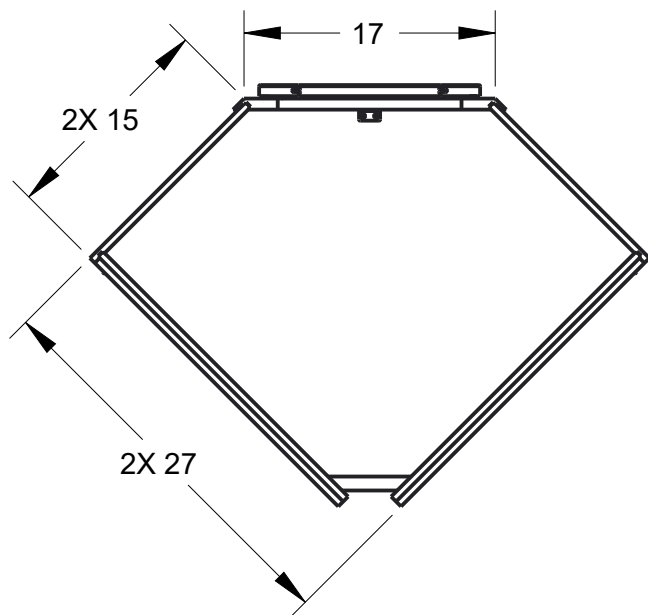
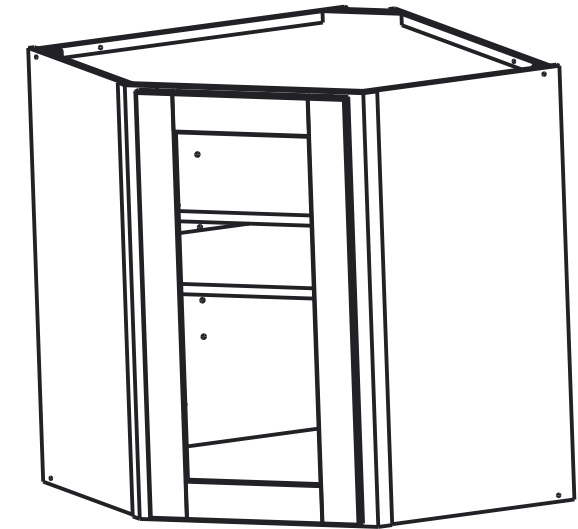
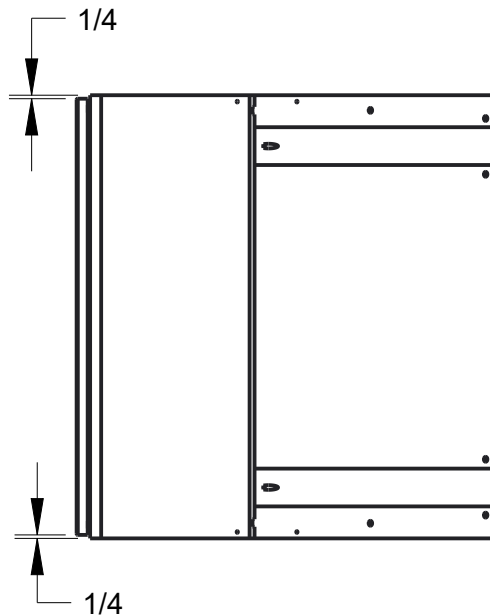
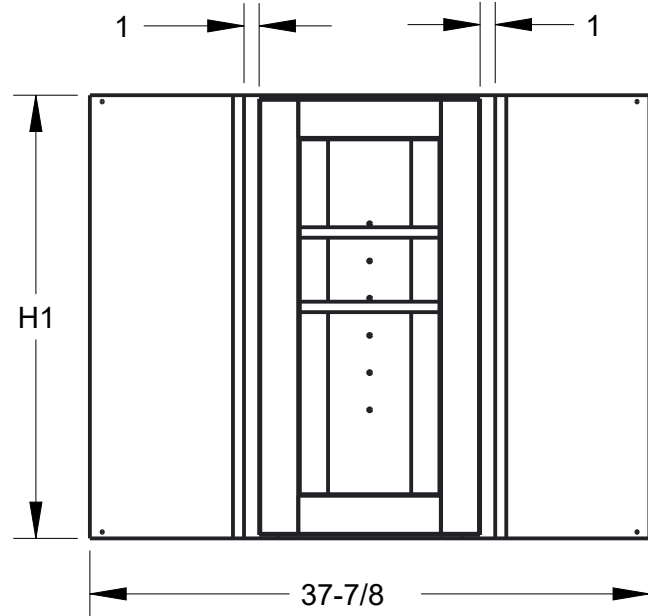


NOTE:

1 OPEN DOOR VIEW INCLUDES HINGE SPACE OFFSET.

PRODUCT	H1	L1	L2	DOOR SIZE	
				ROUNDED TO THE NEAREST 1/32	
WDC273015MI	30"	15 1/8"	27"	14 31/32" X 29 17/32"	
WDC273615MI	36"	15 1/8"	33"	14 31/32" X 35 1/2"	
WDC274215MI	42"	15 1/8"	39"	14 31/32" X 41 17/32"	

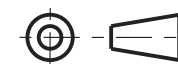


CABINET DOOR OPENING

PRODUCT SHOWN W273015MI

DOCUMENT STATUS Released

THIRD ANGLE PROJECTION



MATERIAL

FINISH

N/A

N/A

DRAWN BY
ANDY BROWN

DATE
26MAR2021

DESIGNED BY
NORTHPOINT

DATE

APPROVED BY
DENNIS MCGREGOR

DATE
26MAR2021

**hardware
resources**

DESCRIPTION

WDC273015MI, WDC273615MI,
WDC274215MI FULL OVERLAY

DRAWING NUMBER
WDC273015MI-273615-274215_FULL

REV
A

SIZE
A3

SCALE
0.077

SHEET
1 / 1

HARDWARE RESOURCES RESERVES THE RIGHT TO CHANGE SPECIFICATIONS WITHOUT NOTICE.
IN CASE OF A DISCREPANCY, ACTUAL PART GEOMETRY SUPERSEDES THIS DOCUMENT.

THE INFORMATION CONTAINED WITHIN THIS DRAWING IS THE SOLE PROPERTY OF HARDWARE RESOURCES INC. ANY
REPRODUCTION IN PART OR WHOLE WITHOUT WRITTEN PERMISSION OF HARDWARE RESOURCES INC. IS PROHIBITED.