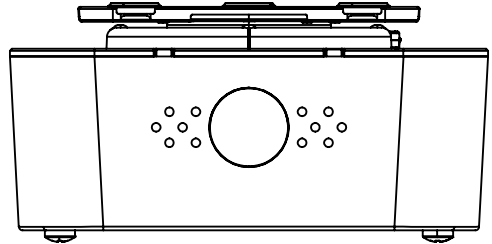
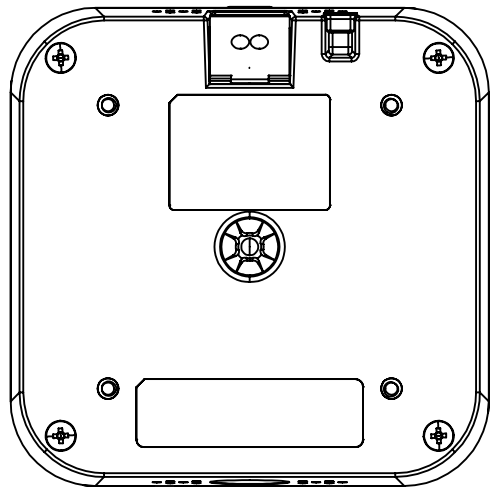
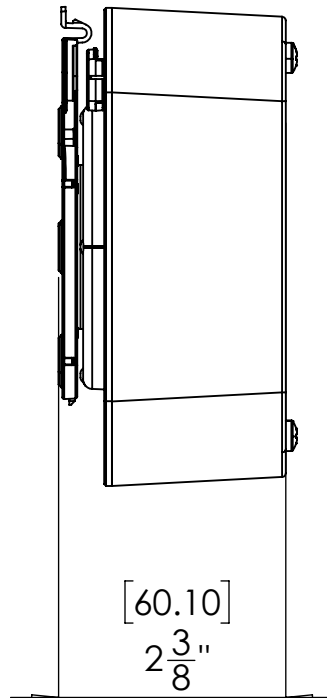
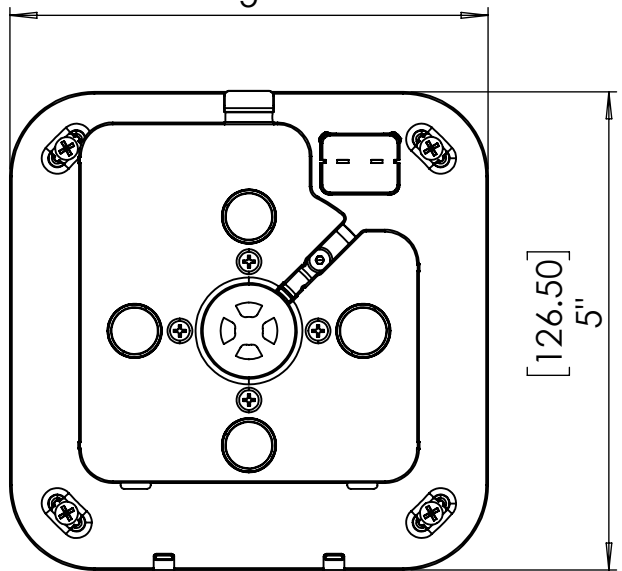
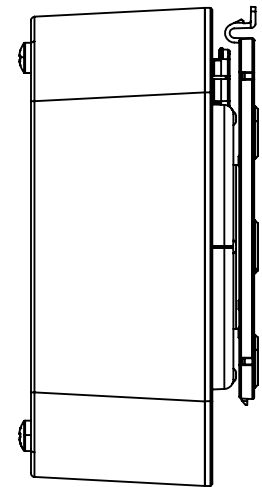
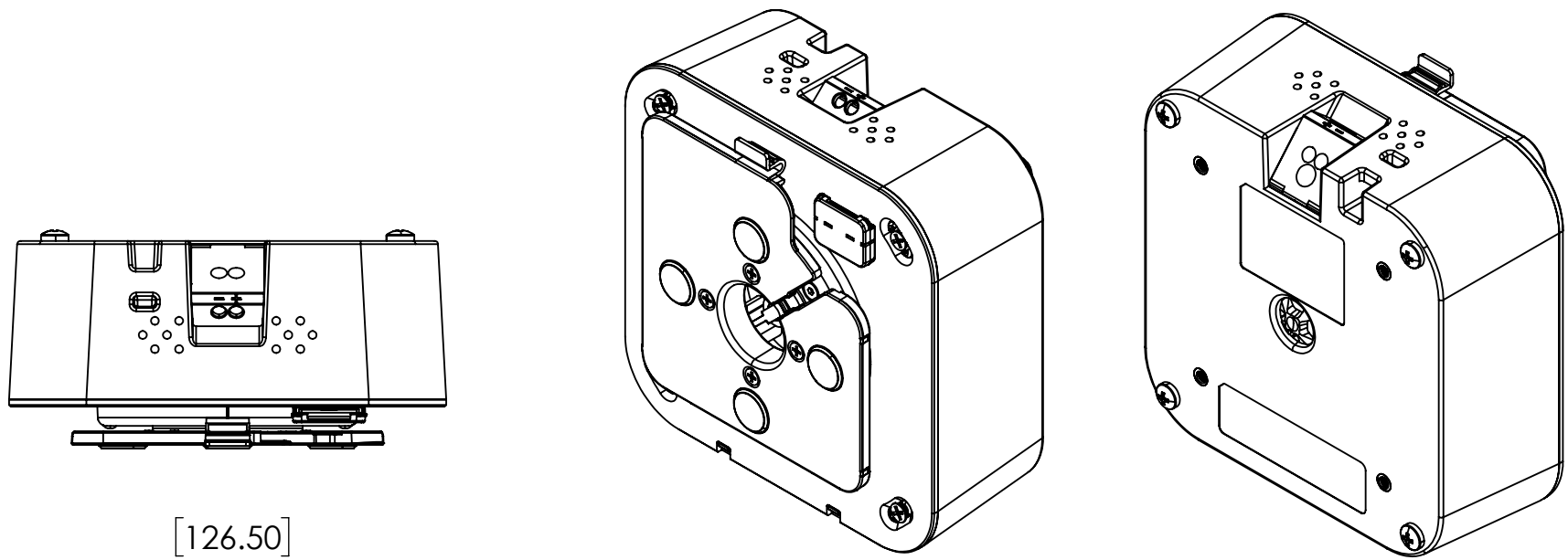


8 7 6 5 4 3 2 1

D  
C  
B  
A

D  
C  
B  
A



**PROPRIETARY AND CONFIDENTIAL**  
 THE INFORMATION CONTAINED IN THIS DRAWING IS THE SOLE PROPERTY OF DANA INNOVATIONS. ANY REPRODUCTION IN PART OR AS A WHOLE WITHOUT THE WRITTEN PERMISSION OF DANA INNOVATIONS IS PROHIBITED.

UNLESS OTHERWISE SPECIFIED:		NAME	DATE
DIMENSIONS ARE IN INCHES [MM]			
TOLERANCES:			
FRACTIONAL ±			
ANGULAR ±			
TWO PLACE DECIMAL ±			
THREE PLACE DECIMAL ±			
INTERPRET GEOMETRIC TOLERANCING PER:		COMMENTS:	
MATERIAL:			
FINISH:			
DO NOT SCALE DRAWING		RELEASED ON:	

		<b>DANA INNOVATIONS</b>	
<b>TITLE: 72393 CONNECT MOUNT VESA</b>			
SIZE	DWG. NO.	REV	
<b>B</b>		<b>A</b>	
SCALE: 1:2	WT:	SHEET 1 OF 1	

8 7 6 5 4 3 2 1