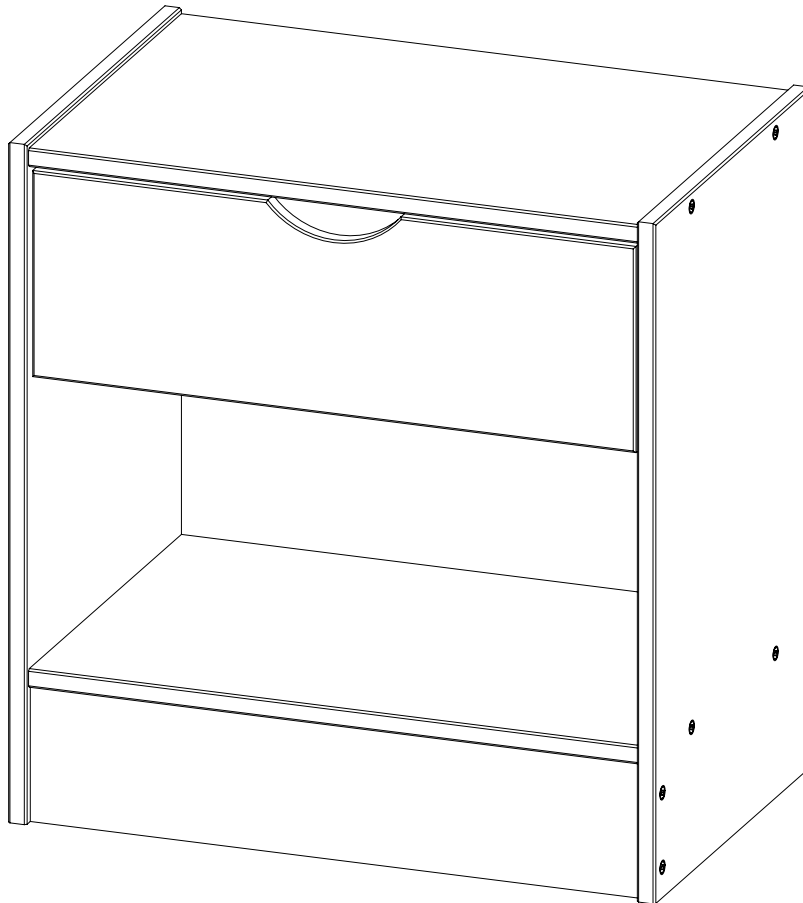


**WALKER EDISON**  
TM

# Declan 1-Drawer Solid Wood Nightstand

SKU# WMDCL011D4



**For Residential Use Only**

Please visit our website for the most current instructions, assembly tips, report damage, or request parts. [www.walkeredison.com](http://www.walkeredison.com)



# Time to get started

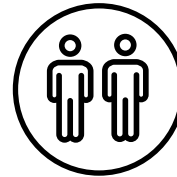
Set up a clean and soft workplace to get started and avoid damage during the assembly. It also helps to double-check you've got all the pieces and parts before diving in to assembly.

## Estimated time for assembly



## People recommended for assembly

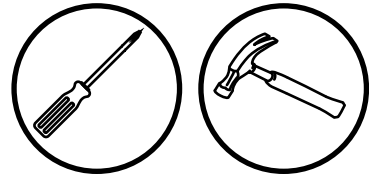
Make it a team effort! Grab a friend for quicker, easier assembly.



2 People Build

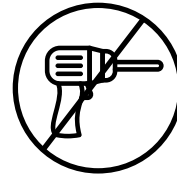
## Tools Needed

Grab a Phillips head screwdriver to conquer this assembly. We will also need a hammer to help.



## Use power tools with caution

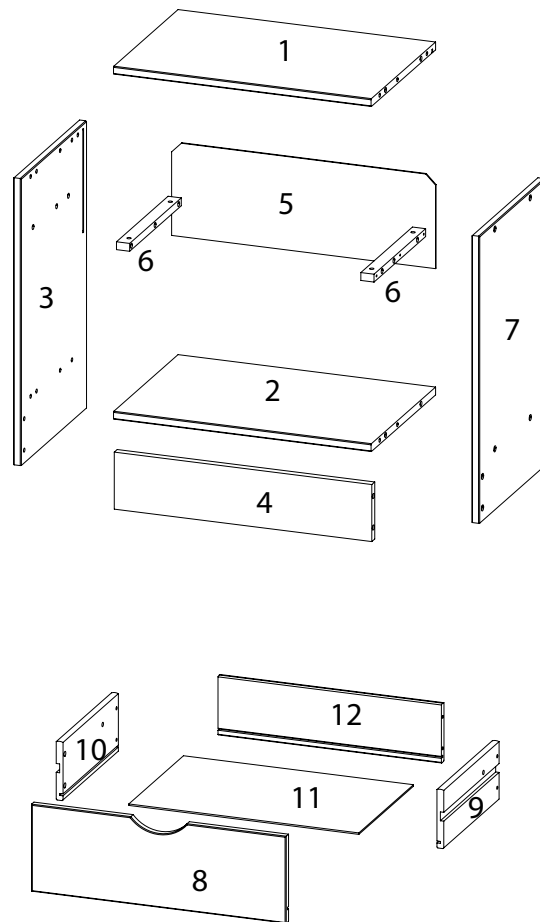
You can cause cracking or damage to the material and easily strip the hardware. If you choose to use a power tool, your product will no longer be covered under Walker Edison's warranty.



**Scan to get assembly tips and help!**

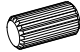
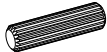
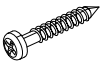

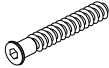



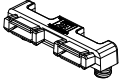


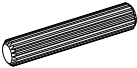
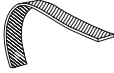
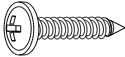
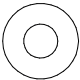


# WE Parts List

Part Number	Description	Quantity
1	Top Panel	1
2	Bottom Panel	1
3	Left Panel	1
4	Foot Rail	1
5	Back Panel	1
6	Wood Slider	2
7	Right Panel	1
8	Drawer Front	1
9	Right Drawer Panel	1
10	Left Drawer Panel	1
11	Drawer Bottom	1
12	Drawer Back	1





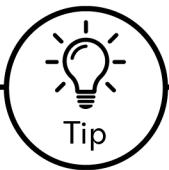
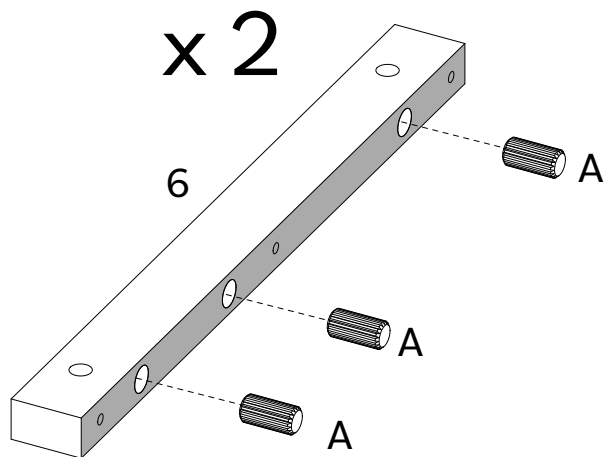
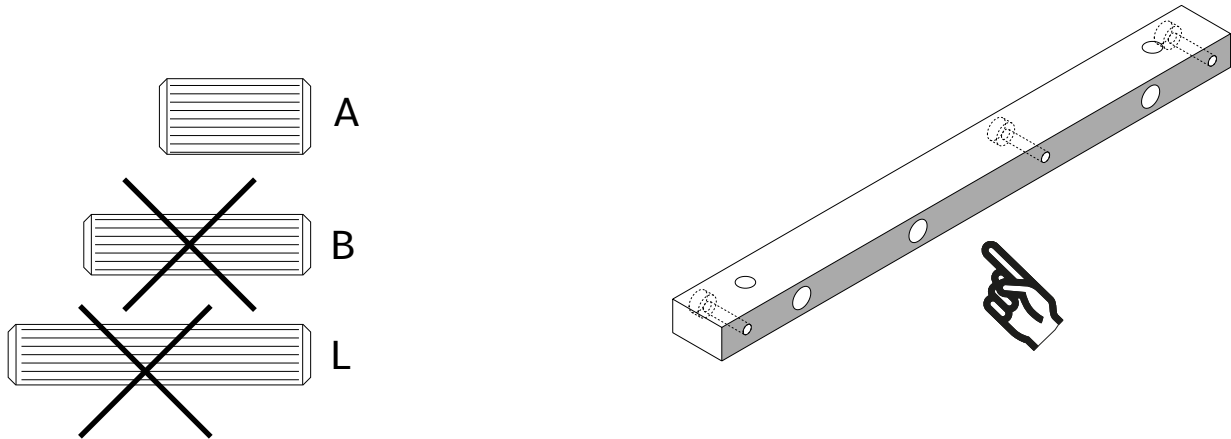
# Hardware List

Part	Size	Name	Quantity
A	 10x20mm	Wooden dowel	6
B	 8x30mm	Wooden dowel	12
C	 4x25mm	Screw	6
D	 12mm	Plastic foot	4
E	 7x50mm	Bolt	12
F		Hex key	1
G	 14x14mm	Support	6
H	 3,5x16mm	Screw	6
I		Dovetail	2
J		Dovetail lock	4
K		Plastic screw	4
L	 8x40mm	Wooden dowel	2
O		Wall anchor	1
P	 4x16mm	Screw	1
Q		Washer	2
R	 6x40mm	Plastic bush	1
S	 4x40mm	Screw	1

*The hardware quantities listed above are required for proper assembly.  
Extra hardware pieces may be included.*

# Step 1

Let's get started! Insert the (A) Wooden dowels into each Wood Slider (6).



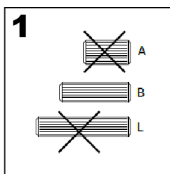
Tip

## Wood Dowels

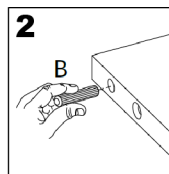
Dowels are essential in furniture assembly for creating strong, precise connections.

They ensure structural integrity, prevent shifting, and simplify alignment, resulting in sturdier, longer-lasting furniture.

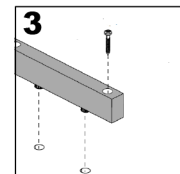
Follow these steps:



1: Select appropriate size dowel compared to size of drill hole and alignment in instructions. If unsure of placement place dowel next to drill hole to compare size and ensure correct placement.



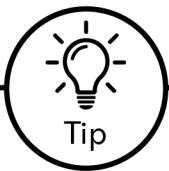
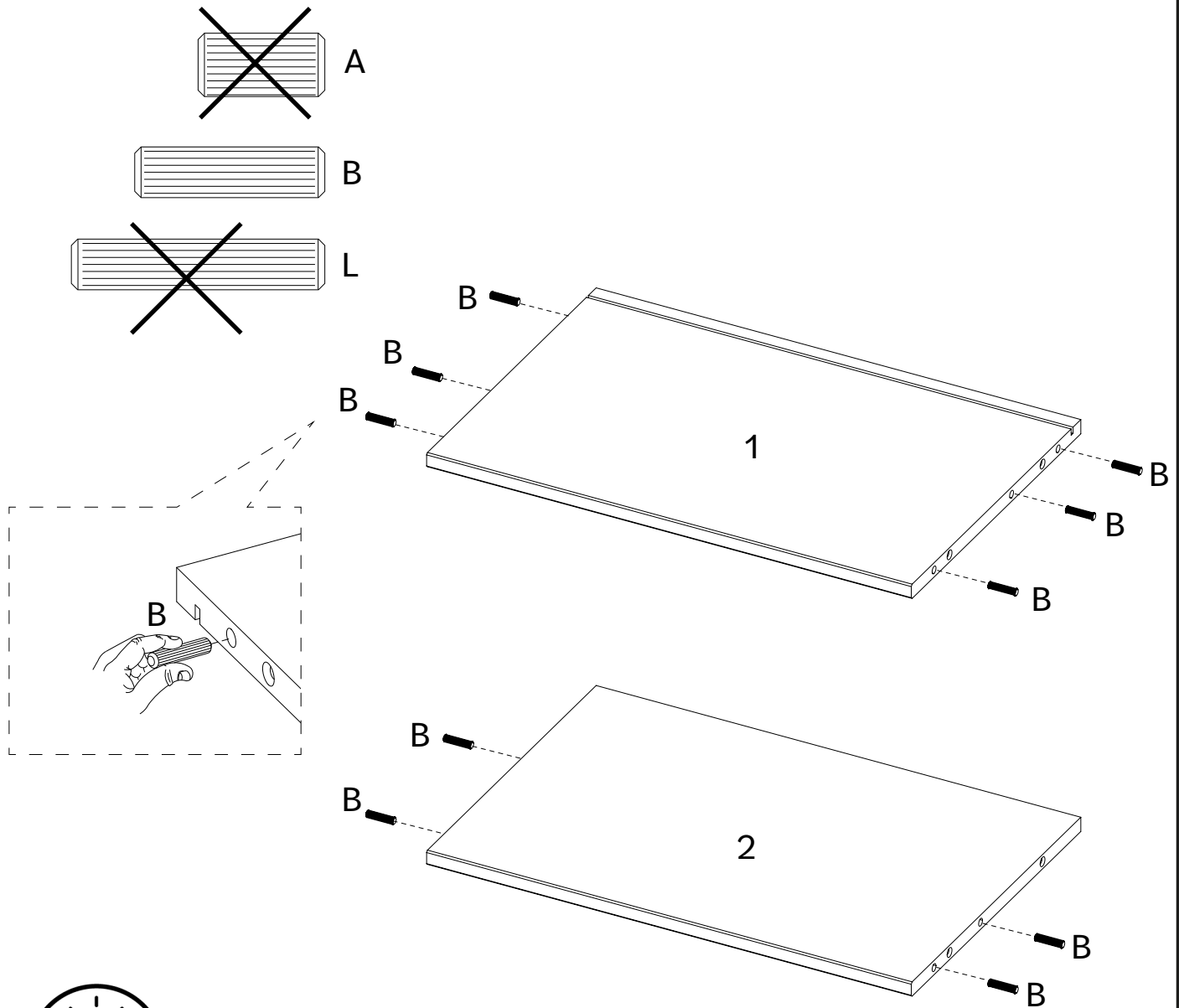
2: Insert into drill hole and press firmly to ensure placement is set.



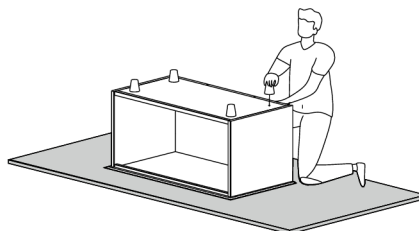
3: Align the dowel with corresponding piece and press together until secure.

# Step 2

Insert the (B) Wooden dowels into the Top Panel (1) and the Bottom Panel (2).

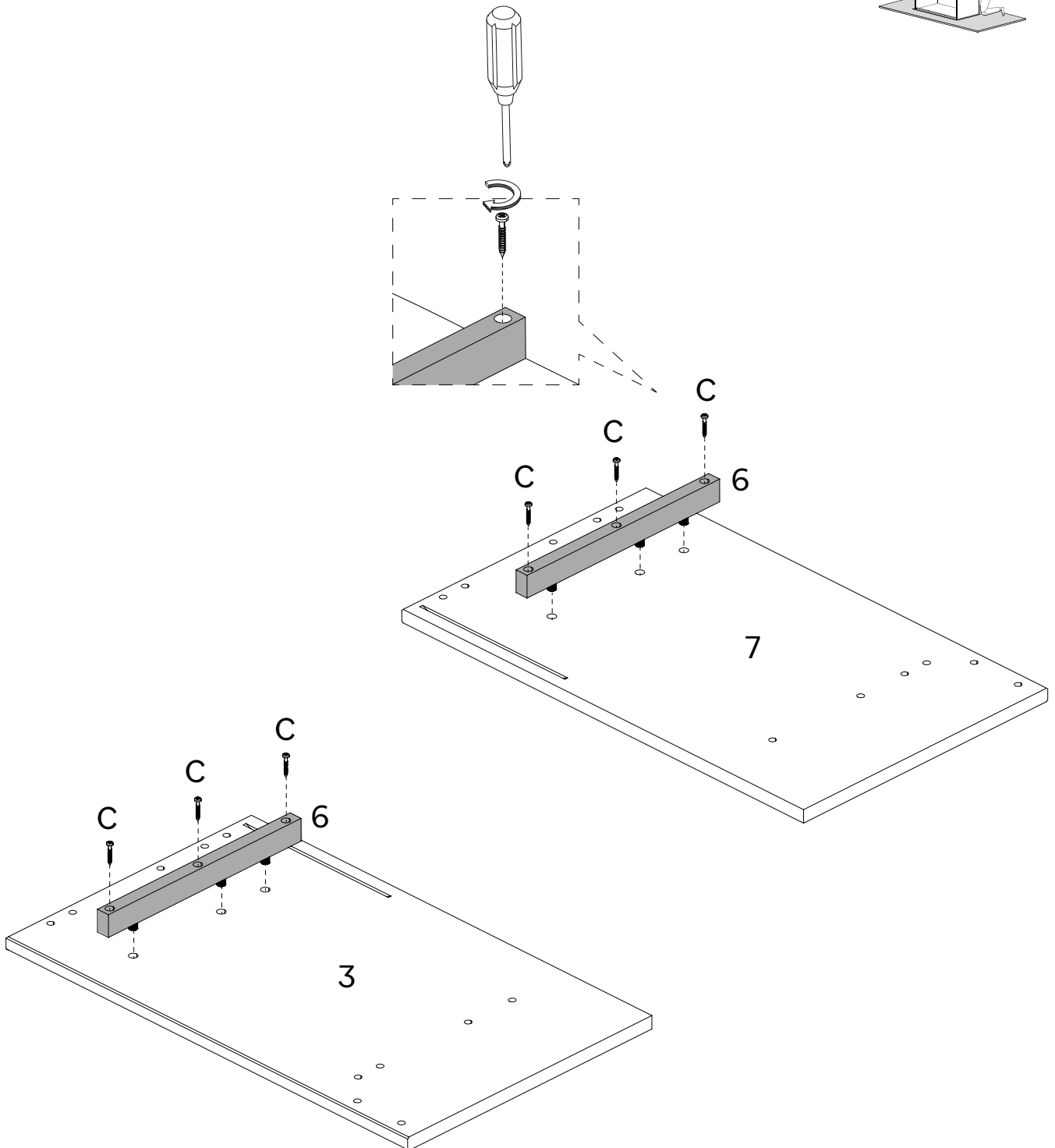


To keep your product looking its best and scratch-free, try assembling it on a soft surface like carpet or a blanket. This helps prevent any accidental scratches and keeps your furniture in top shape!



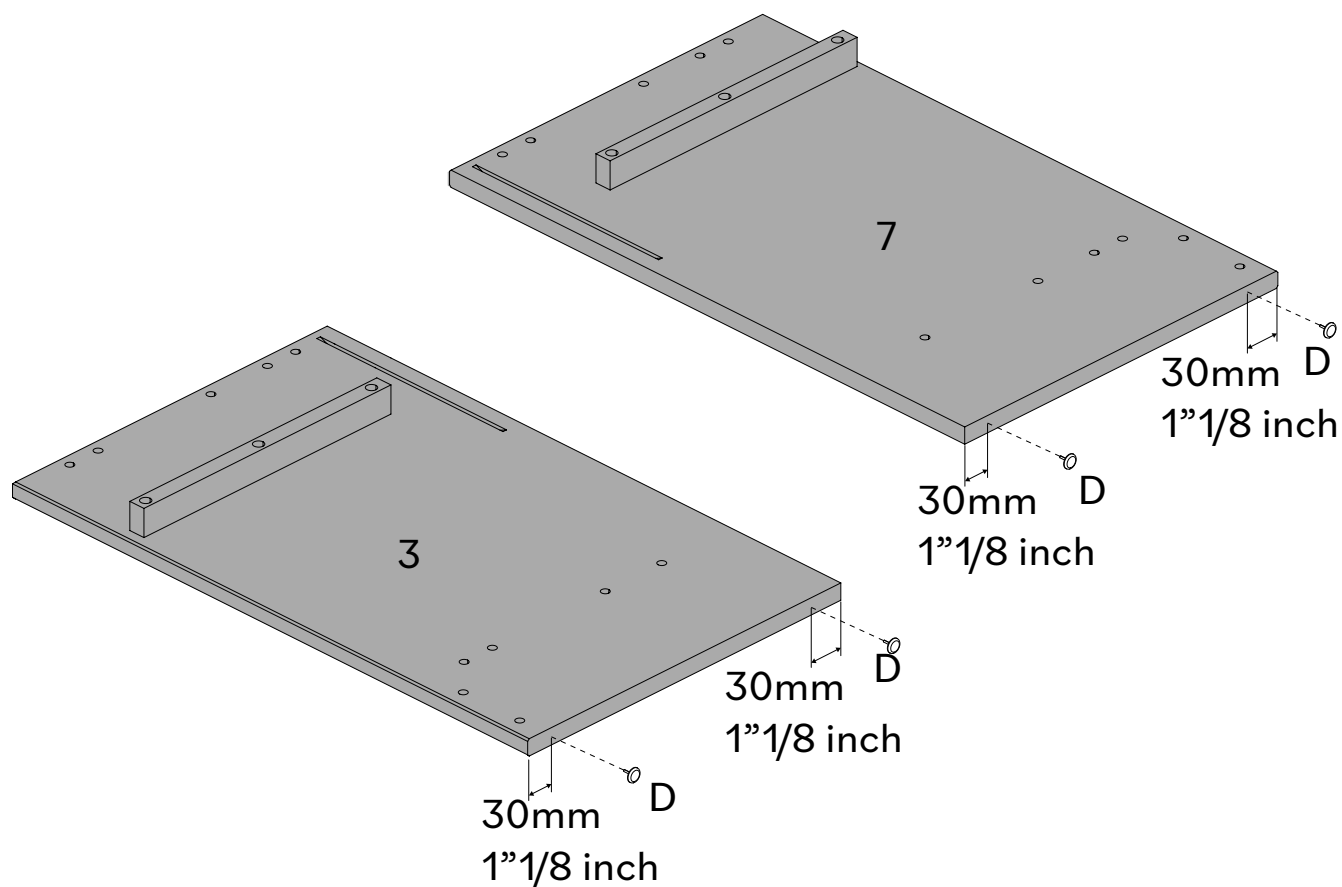
# Step 3

Next, attach the Wood Sliders (6) to the Left Panel (3) and the Right Panel (7) using the (C) Screws. Tighten with a screwdriver.



# Step 4

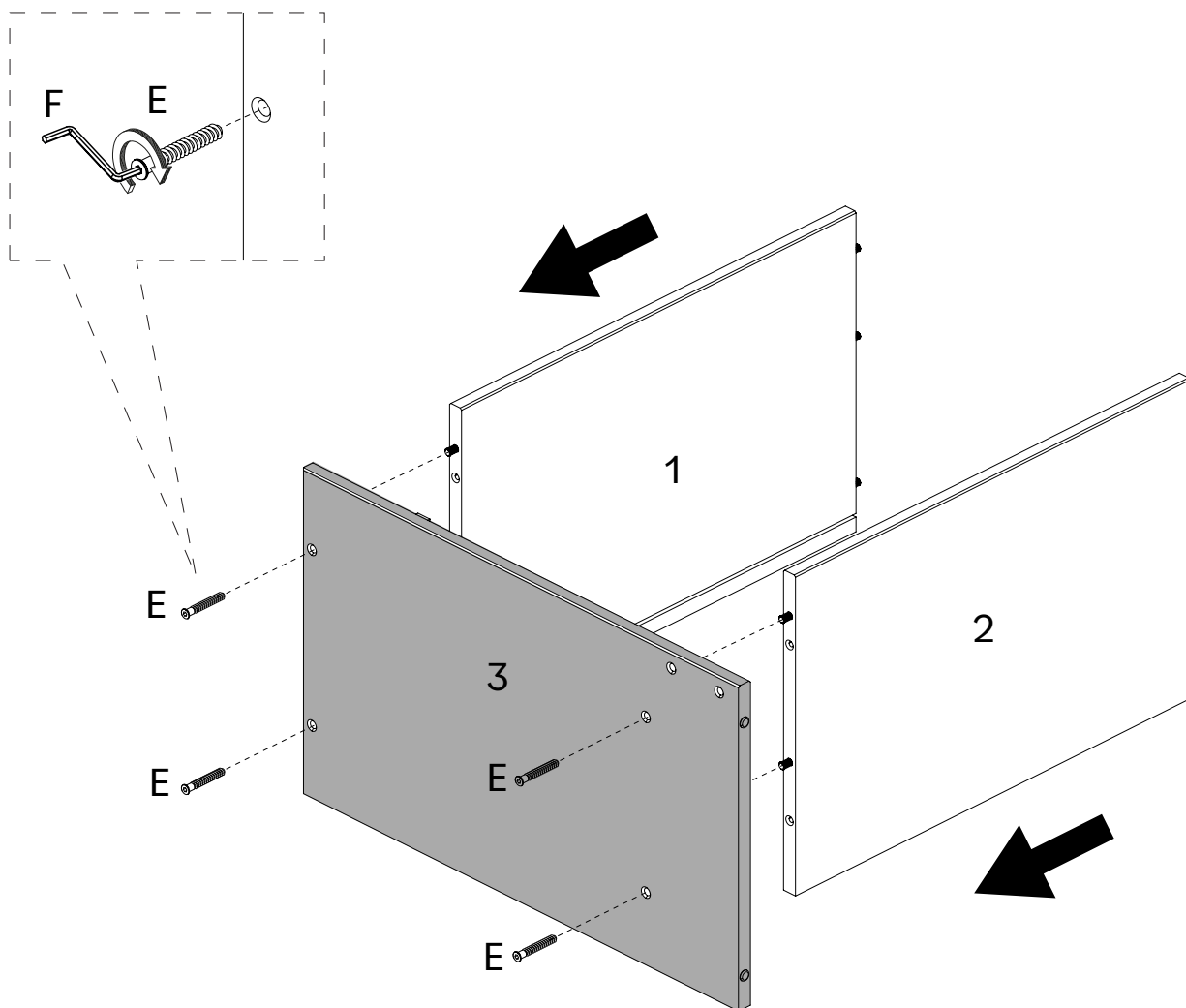
Secure the Plastic feet (D) to the Left Panel (3) and the Right Panel (7) Use a hammer if necessary.





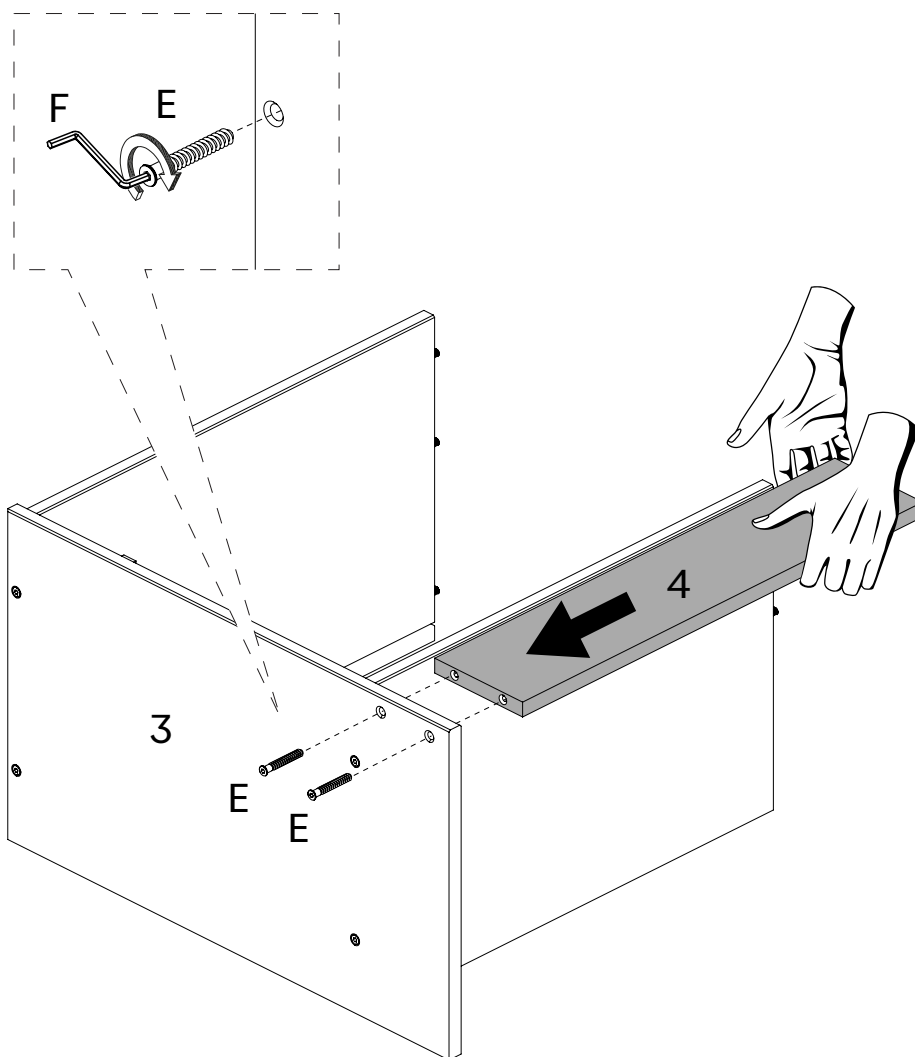
# Step 5

Join the Top Panel (1) and the Base Panel (2) into the Left Side Panel (3). Then, secure that join using (E) Bolts. Tighten with the Hex key (F)!



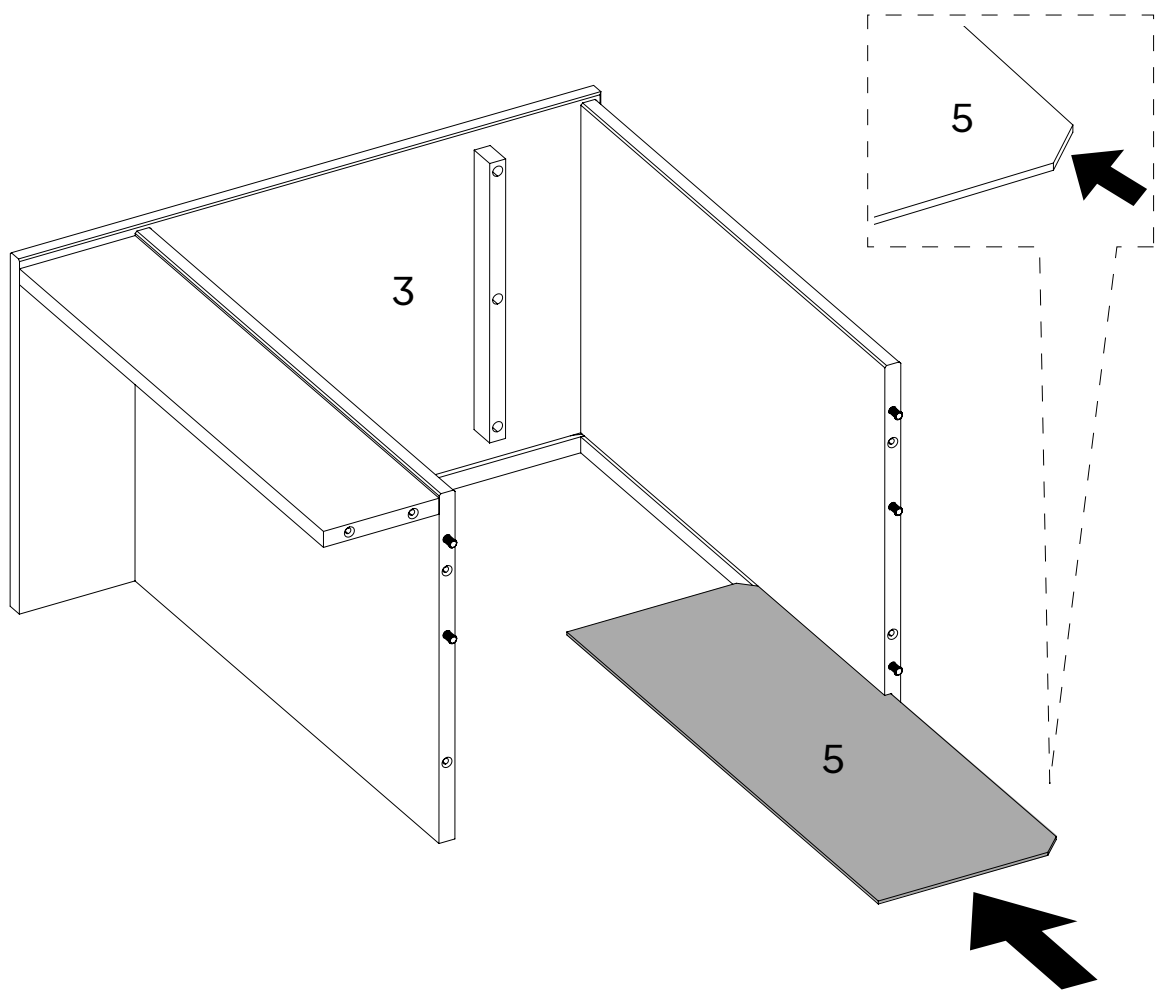
# Step 6

Attach the Foot Rail (4) to the Left Side Panel (3). Secure with (E) Bolts and the Hex Key (F).



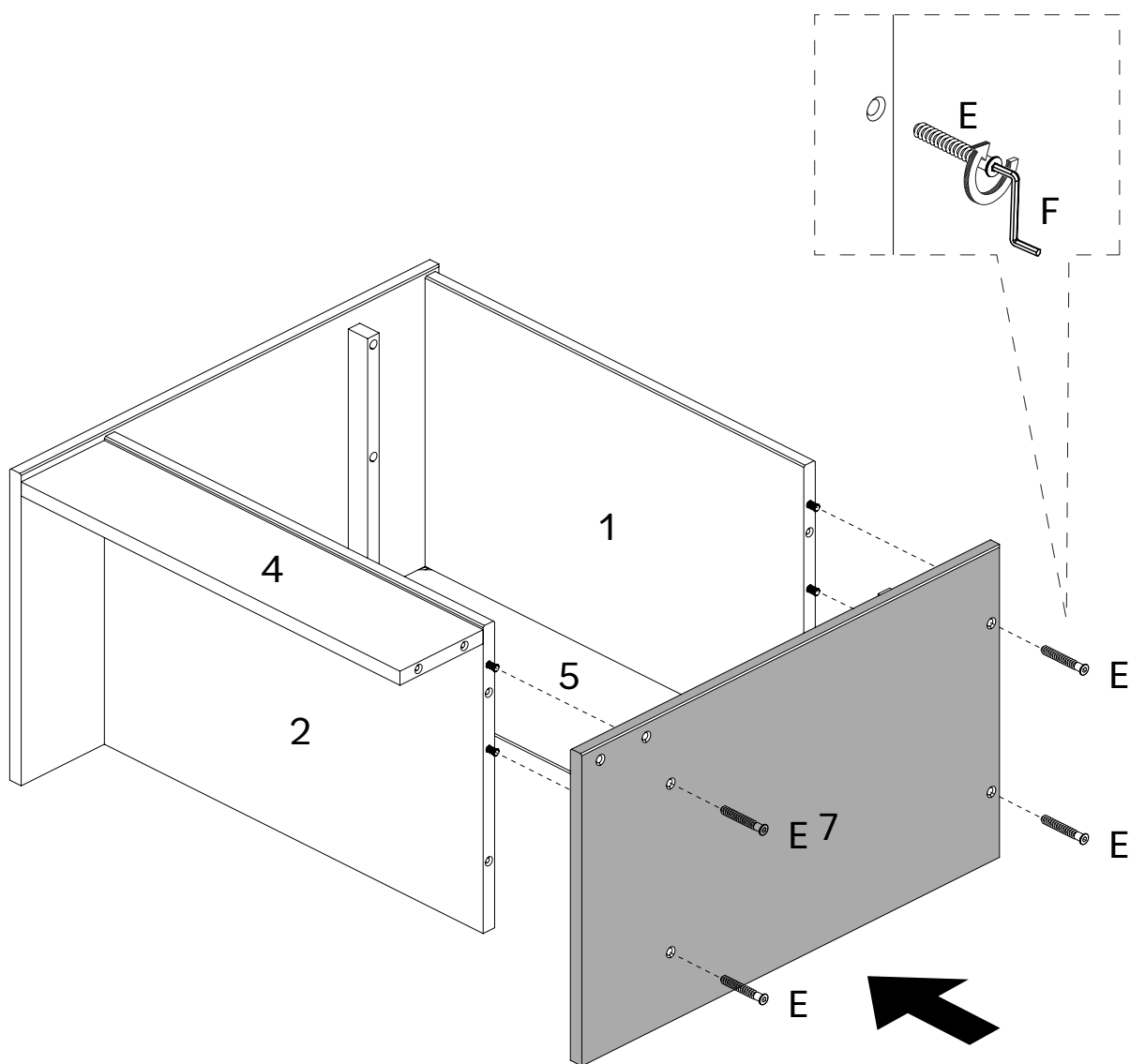
# Step 7

Slide the Back Panel (5) in place using the grooves of the Top Panel (1) and the Left Side Panel (3) to guide it.



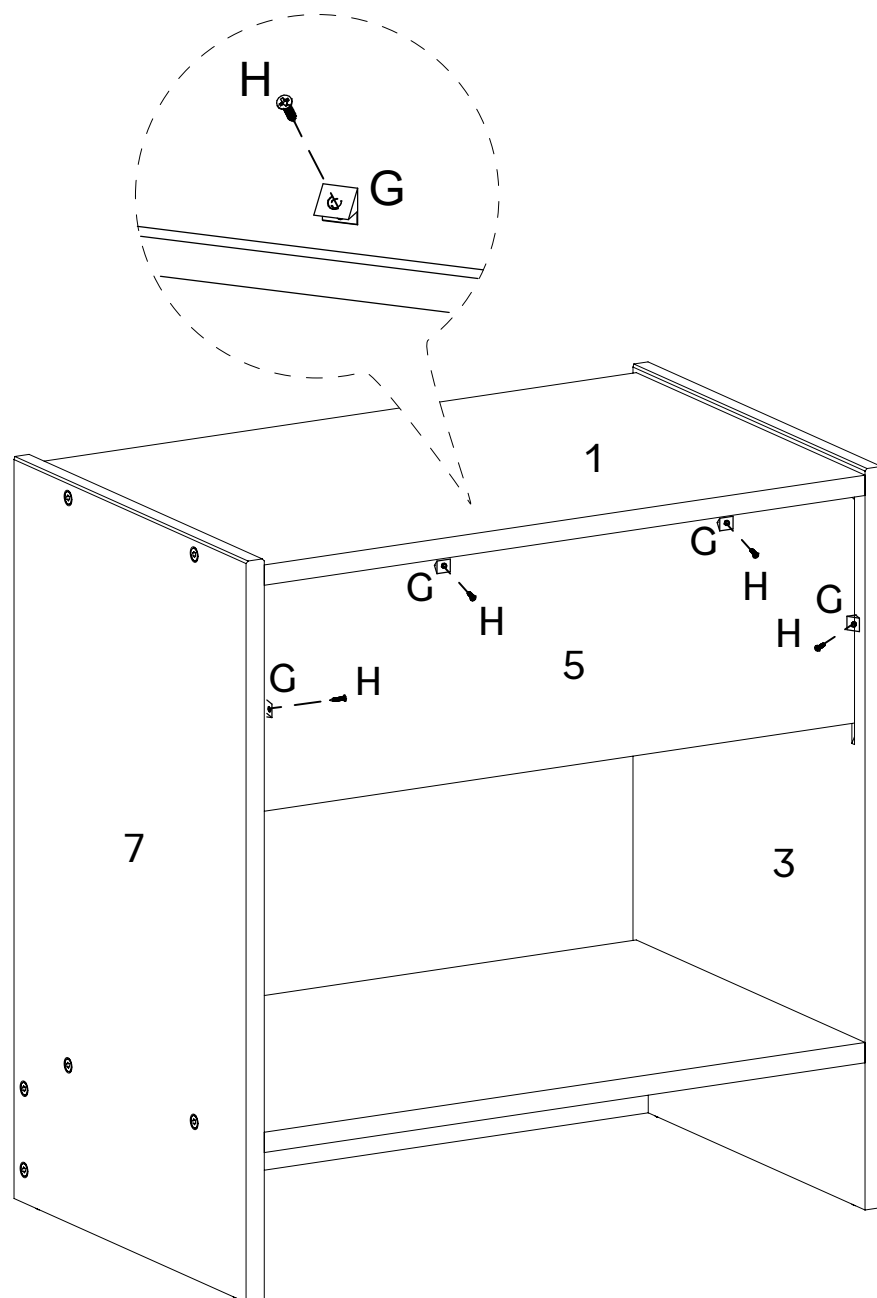
# Step 8

Join the Right Panel (7) with the Top Panel (1), Base Panel (2), Foot Front Rail (4), and Back Panel (5). Then, secure that join using (E) Bolts. Tighten with the Hex key (F)!



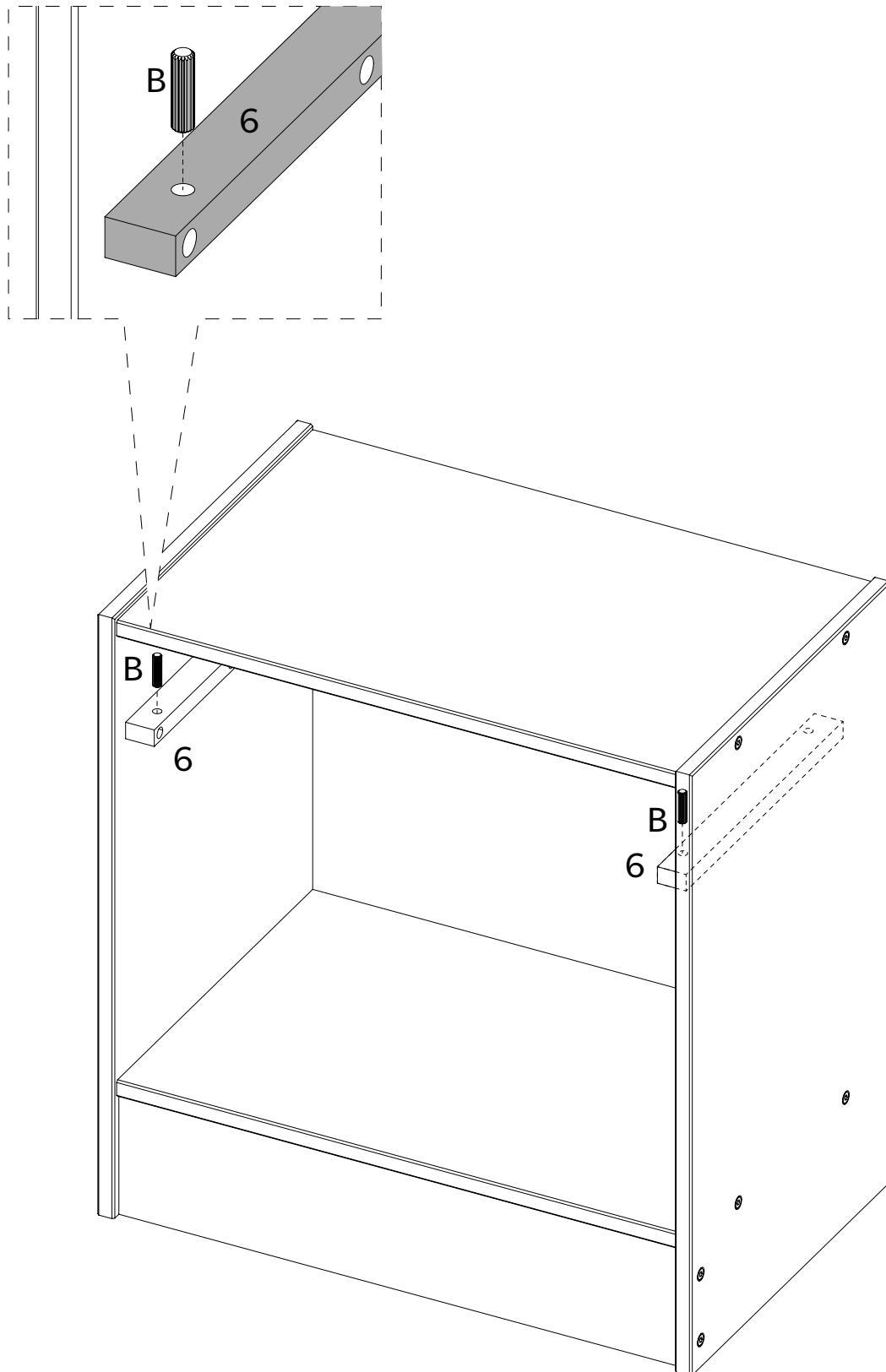
# Step 9

Fit the Supports (G) into the grooves between the Top Panel (1), Left Panel (7), Right Panel (7), and the Back Panel (6). Secure the Supports (G) with (H) Screws.



# Step 10

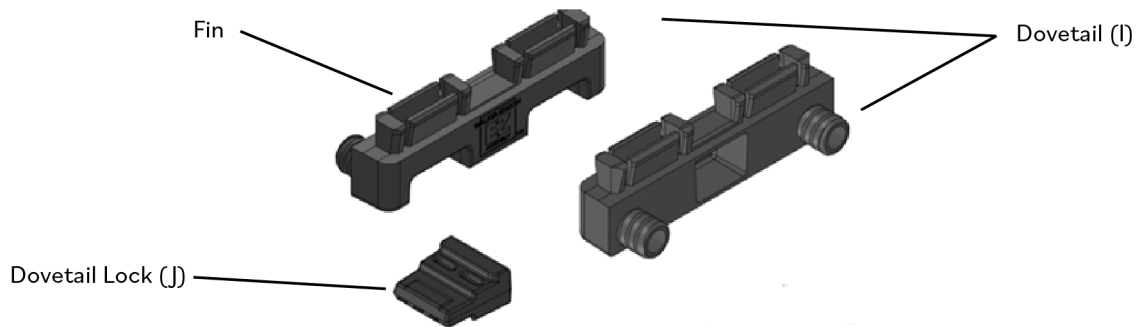
Insert (B) Wooden dowels into the front hole in the Wood Sliders (6). This is to keep the drawer from falling out.



# Introducing The Quick Assembly Drawer System

## Say Goodbye to Assembly Hassle!

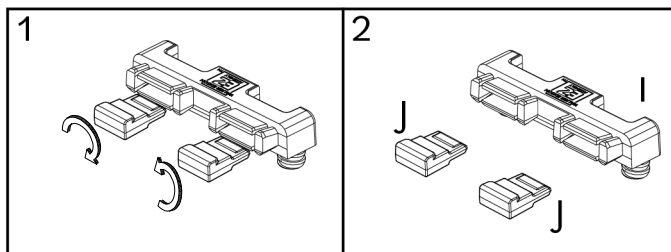
We understand that assembling drawers can be the most time-consuming and tedious part of putting together your new furniture. That's why we've developed the Quick Assembly Drawer System - to make the process easy!



### Why You'll Love Our Quick Assembly Drawer System:

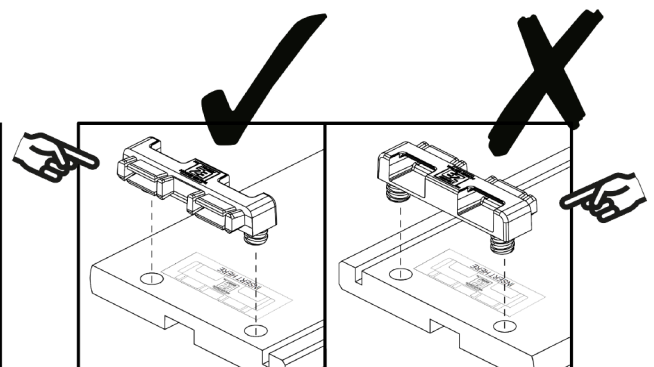
- **Quick & Easy:** Our new drawer hardware significantly reduces your assembly time. Get it done in no time!
- **Minimal Effort Required:** Designed to be super simple, you'll need little to no tools to get the job done.
- **Built to Last:** Strong and sturdy, our system ensures that your drawers stay solid and reliable.

### Let's set the stage to start assembly:



**Step 1: Get Ready -**  
Get started by separating the pre-assembled Dovetail (I) and Locks (J).

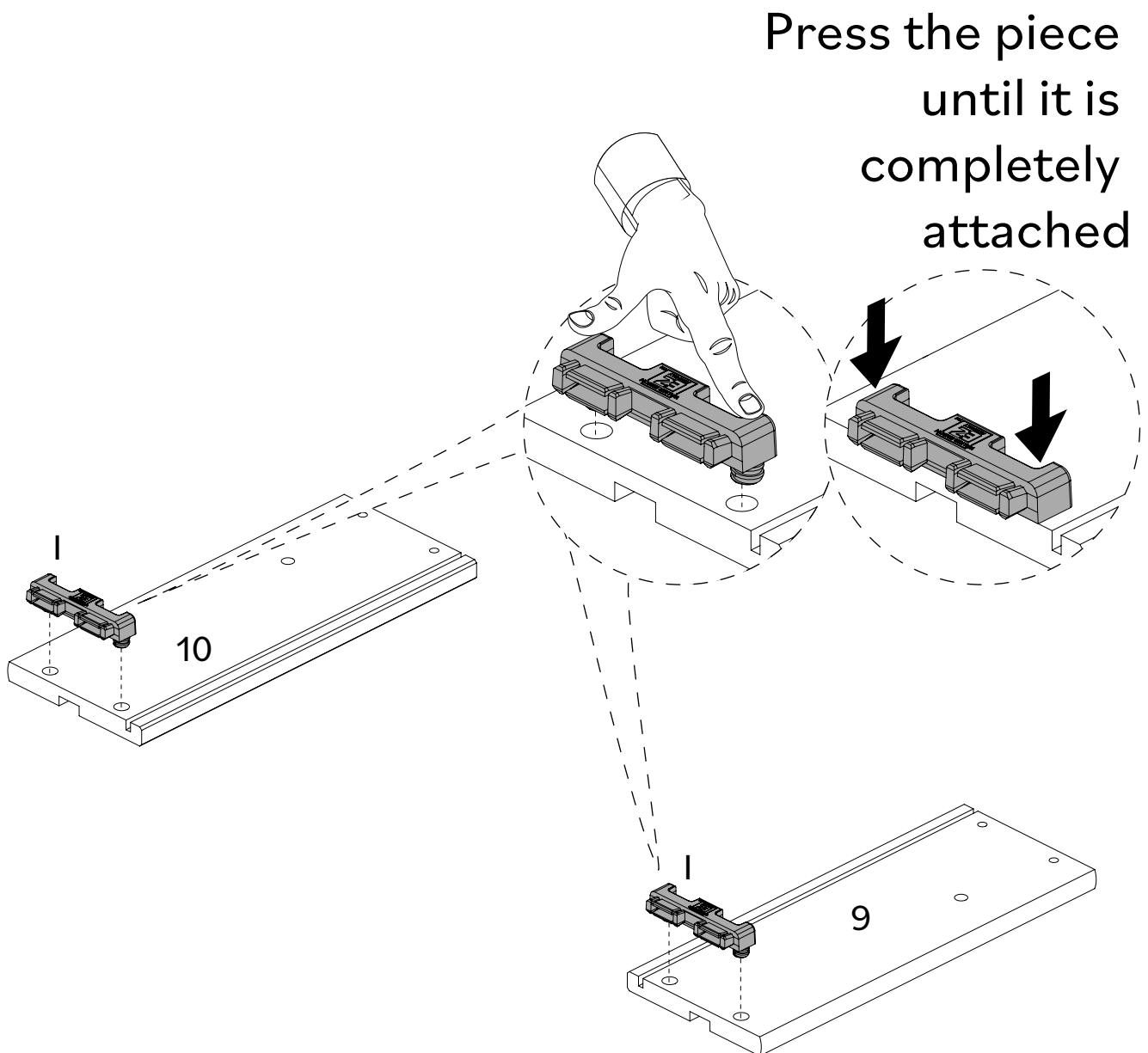
**Step 2: Align -**  
Match Dovetail (I) with your drawer front with dovetail fins are facing outward, using the sticker to align. Set triangle Locks (J) outward and press in.



**TIP:** We've made it easy with an illustration on the drawer fronts to show the correct direction for the Dovetail.

# Step 11

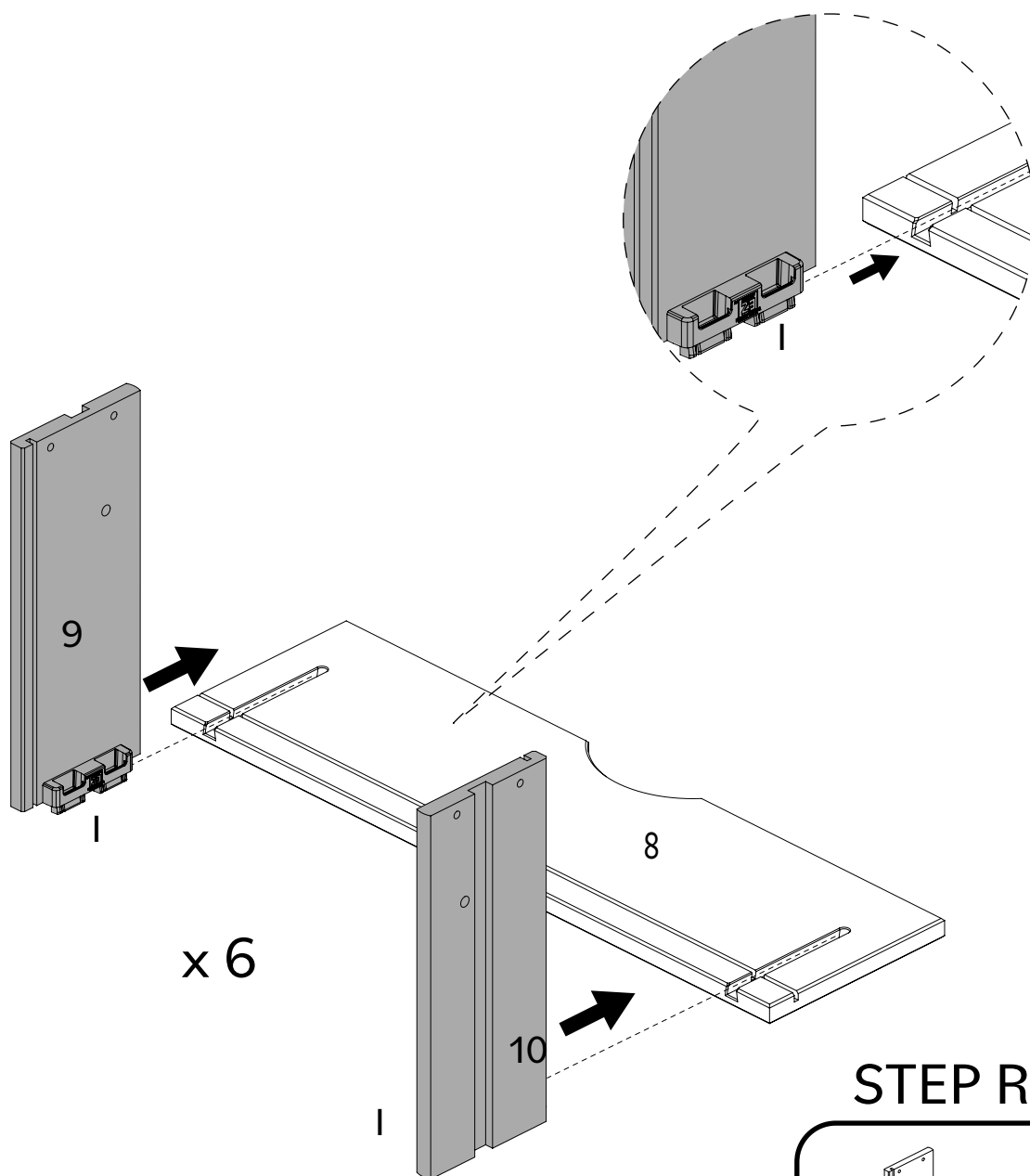
Prepare the Dovetails (I) by removing the Dovetail locks (J) from the Dovetails (I). Affix the Dovetails (I) to the Right Drawer Panel (9) and Left Drawer Panel (10). Press the Dovetails (I) down until they are completely attached. Use a hammer if necessary.



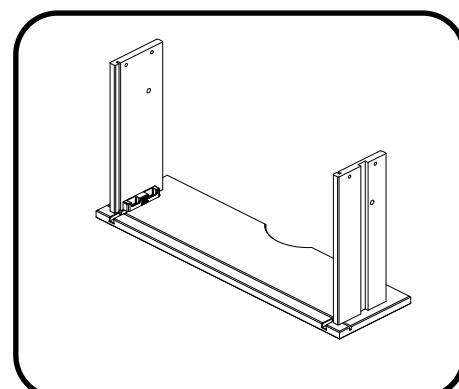


# Step 12

You're almost done! Slide the Dovetail (I) on the Right Drawer Panel (9) and the Left Drawer Panel (10) into the grooves on the Drawer Front (8). Repeat this for all drawers.

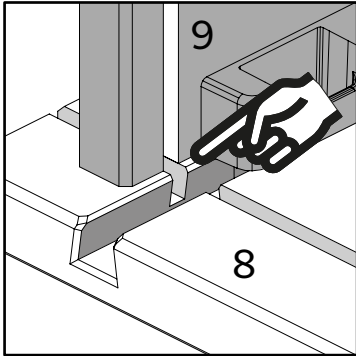


**STEP READY**

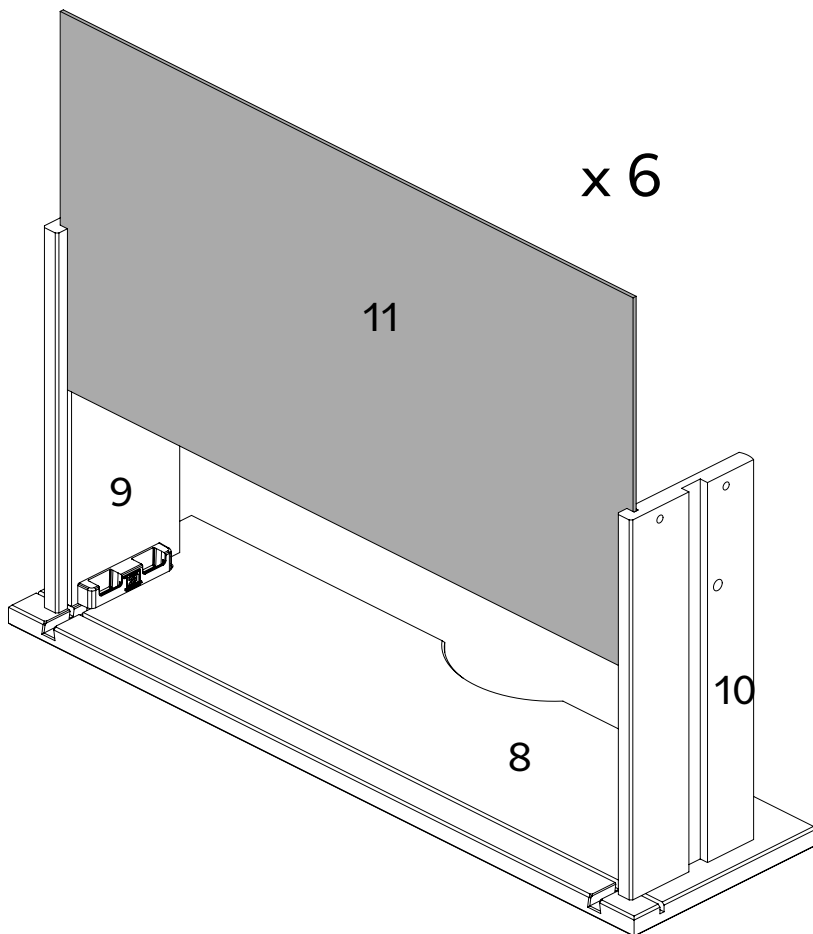
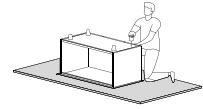


# Step 13

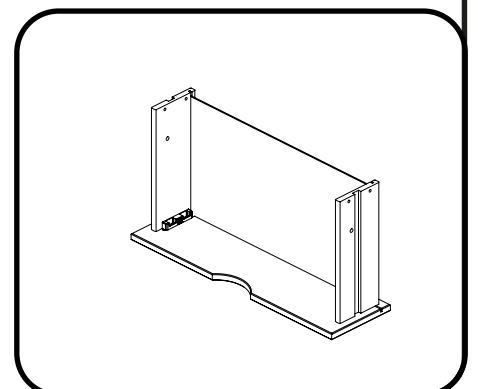
Slide the Drawer Bottom (11) into the grooves on the Right Drawer Panel (9), Left Drawer Panel (10), and the Drawer Front (8).



Align the grooves on the Drawer Sides and Drawer Front to receive the Drawer Bottom

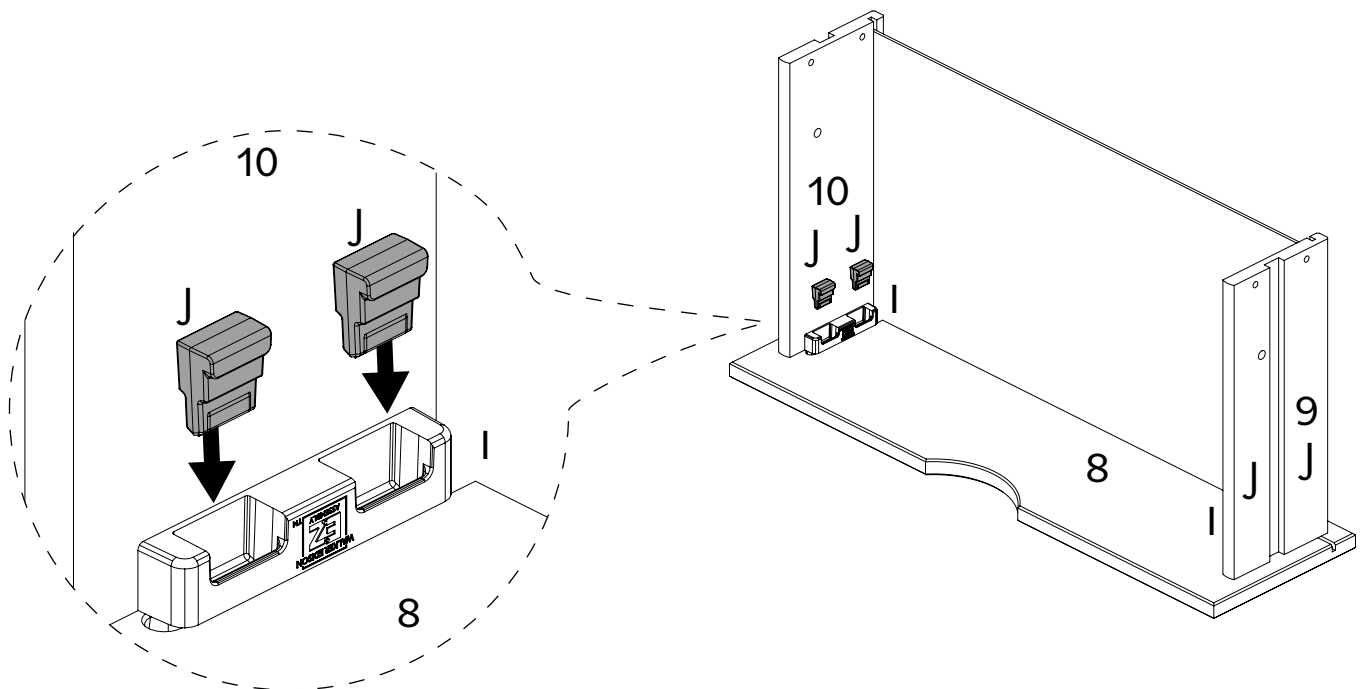


**STEP READY**

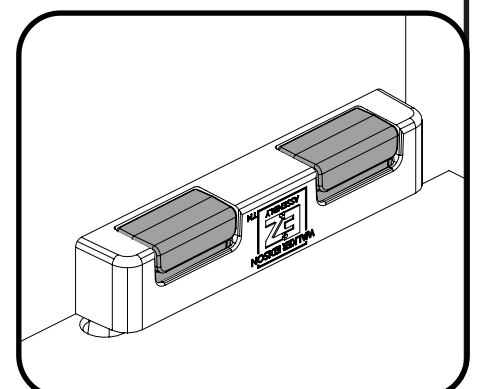


# Step 14

To secure the Drawer sides, insert the Dovetail locks (J) into the Dovetails (I). Use a hammer if necessary.

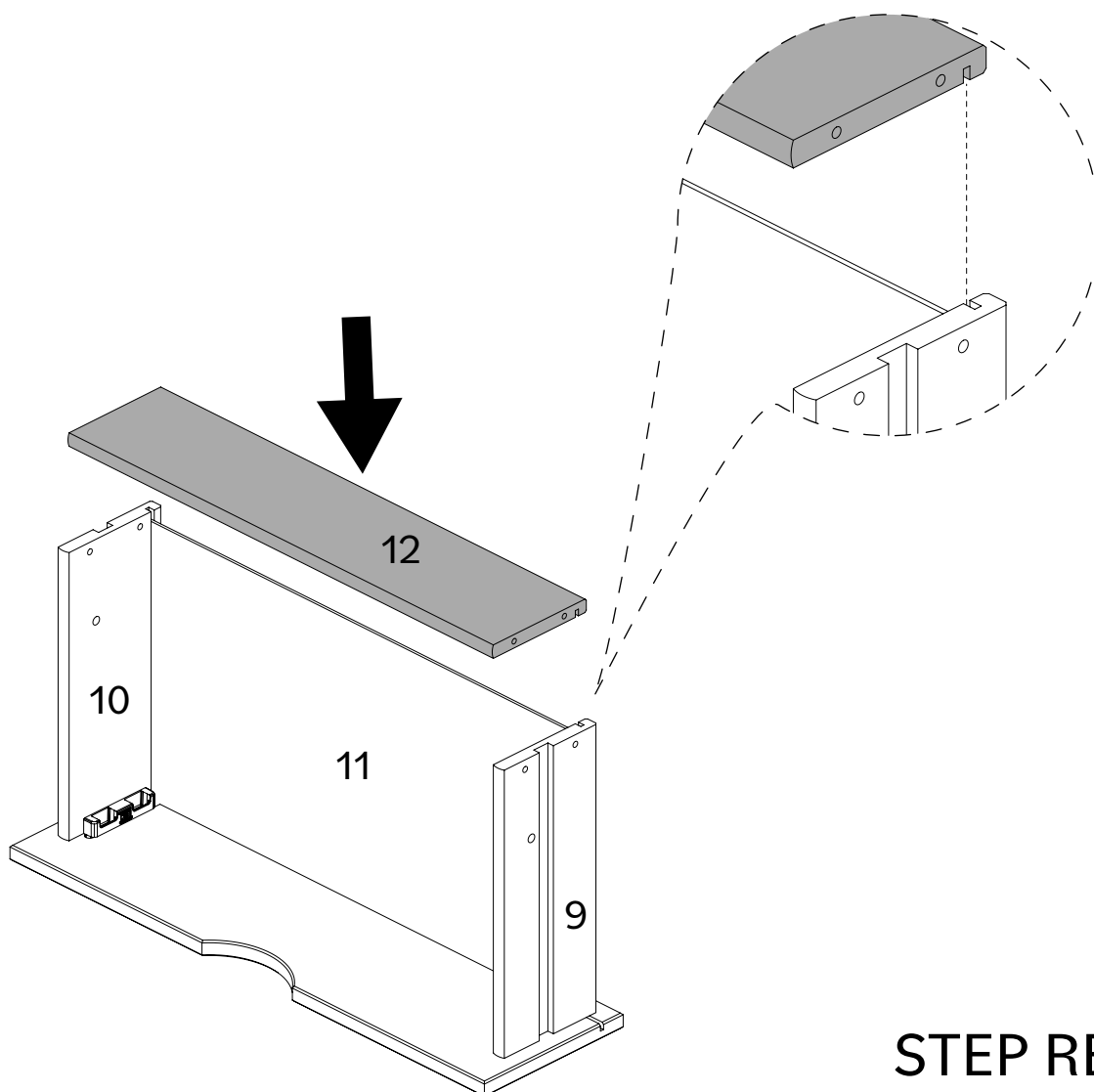
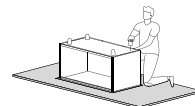


**STEP READY**

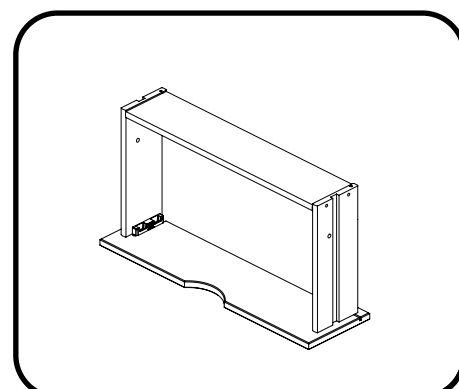


# Step 15

Attach the Drawer Back (12) to the drawer, ensuring that the groove on the Drawer Back (12) aligns with the Drawer Bottom (11).

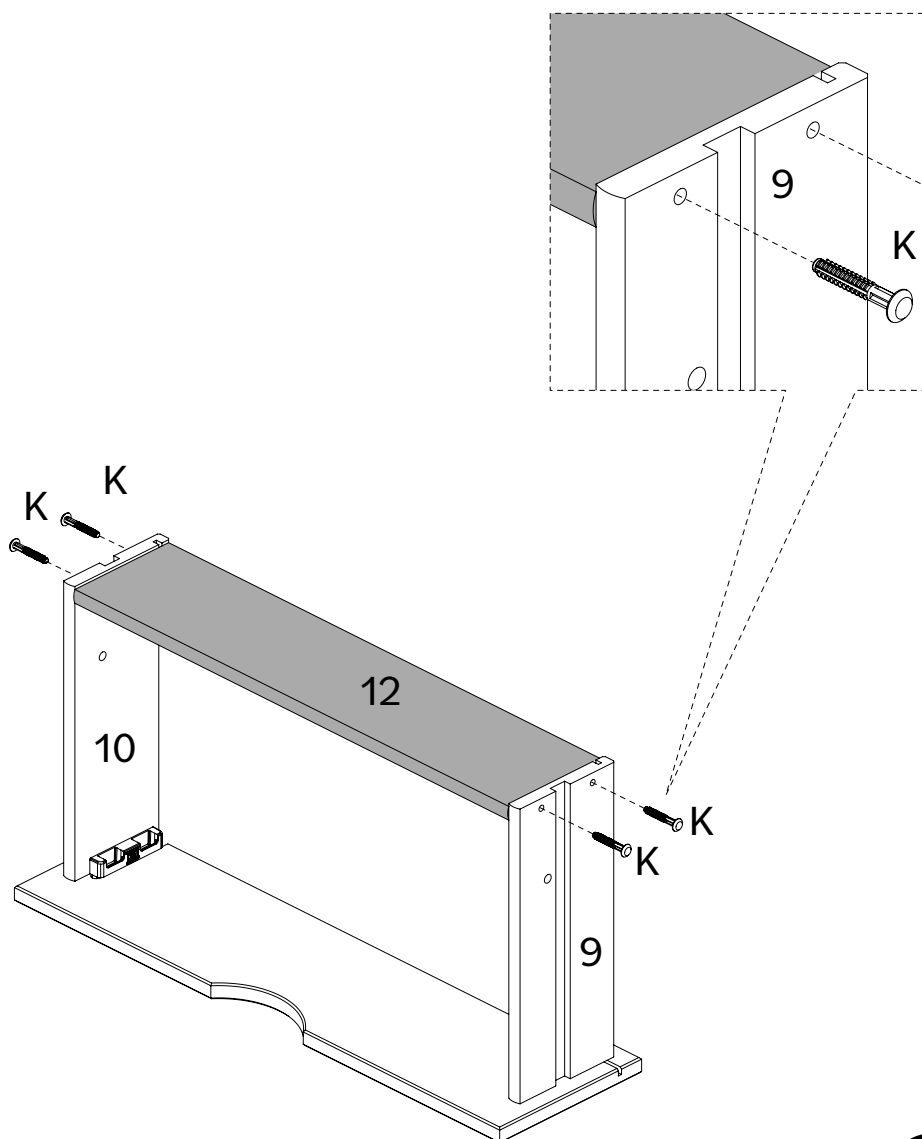


**STEP READY**

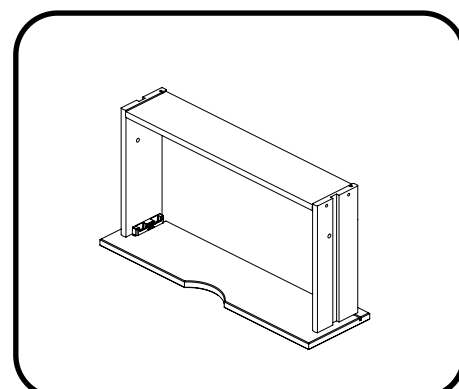


# Step 16

Secure the Drawer Back (12) by inserting the Plastic screws (K). Use a hammer if necessary. Slide the finished drawers into the dresser.

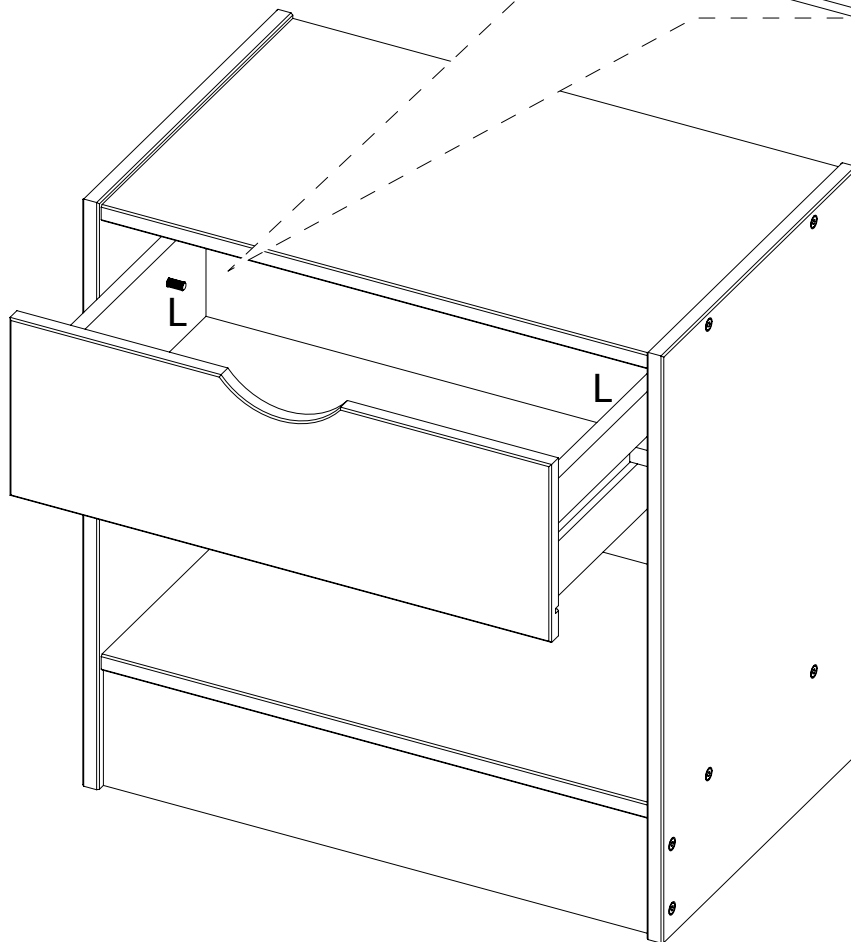
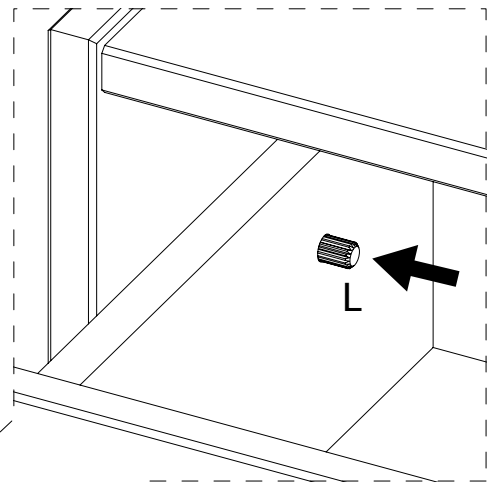
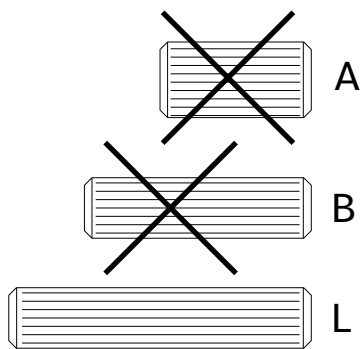


**STEP READY**



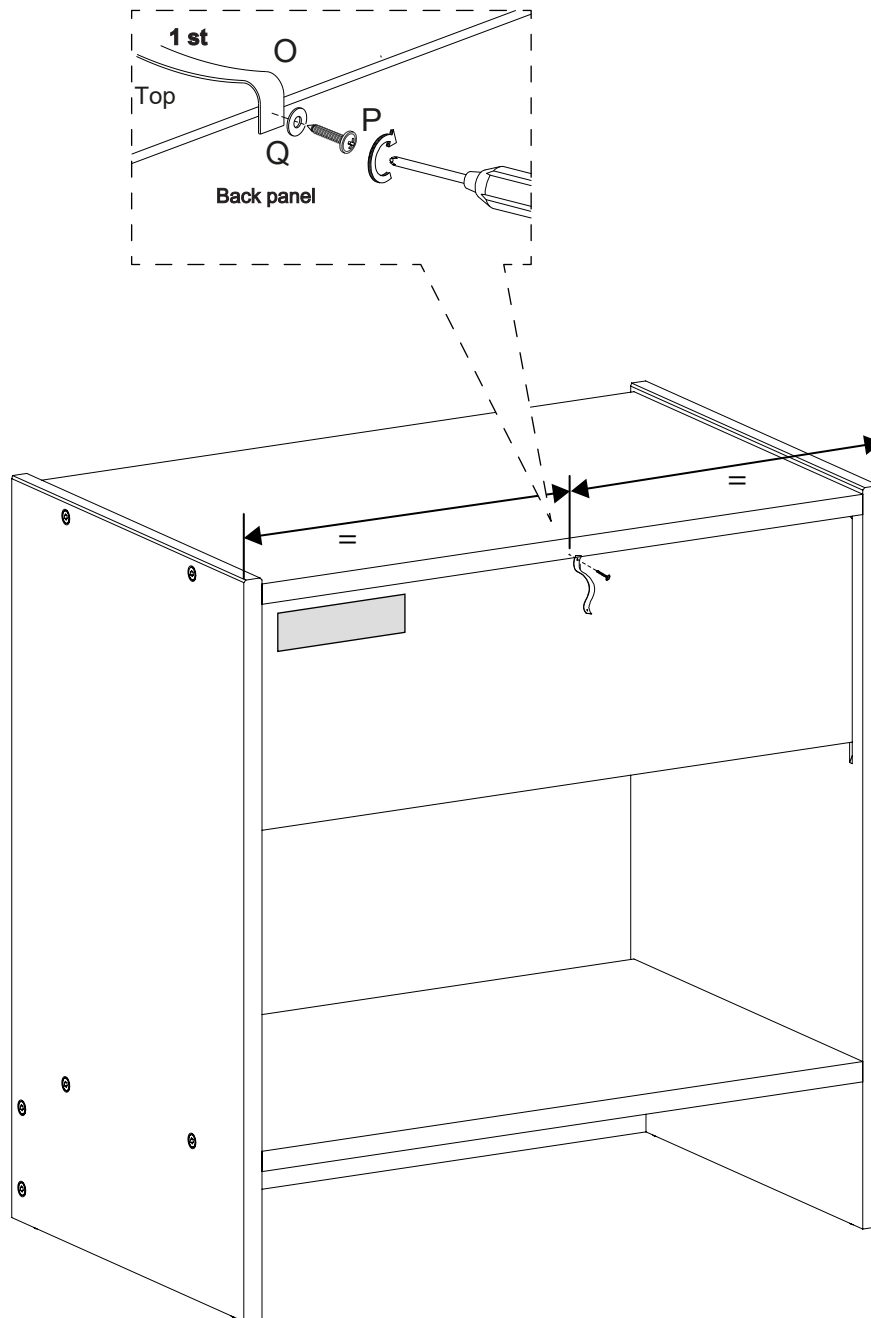
# Step 17

Insert (L) Wooden dowels on the inside of the drawer while the drawer is inside the dresser. This keeps the drawer from falling out.



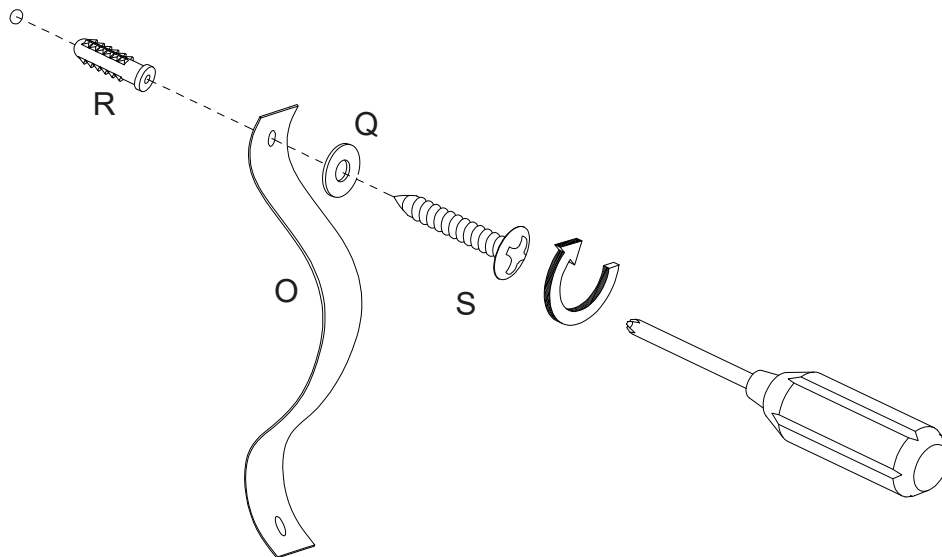
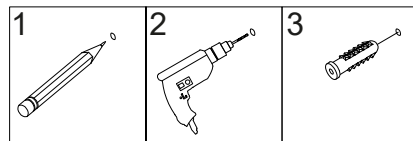
# Step 18

To finish this up, let's secure your dresser to the wall! Attach the Wall anchor (O) to your dresser using a Washer (Q) and a (P) Screw.



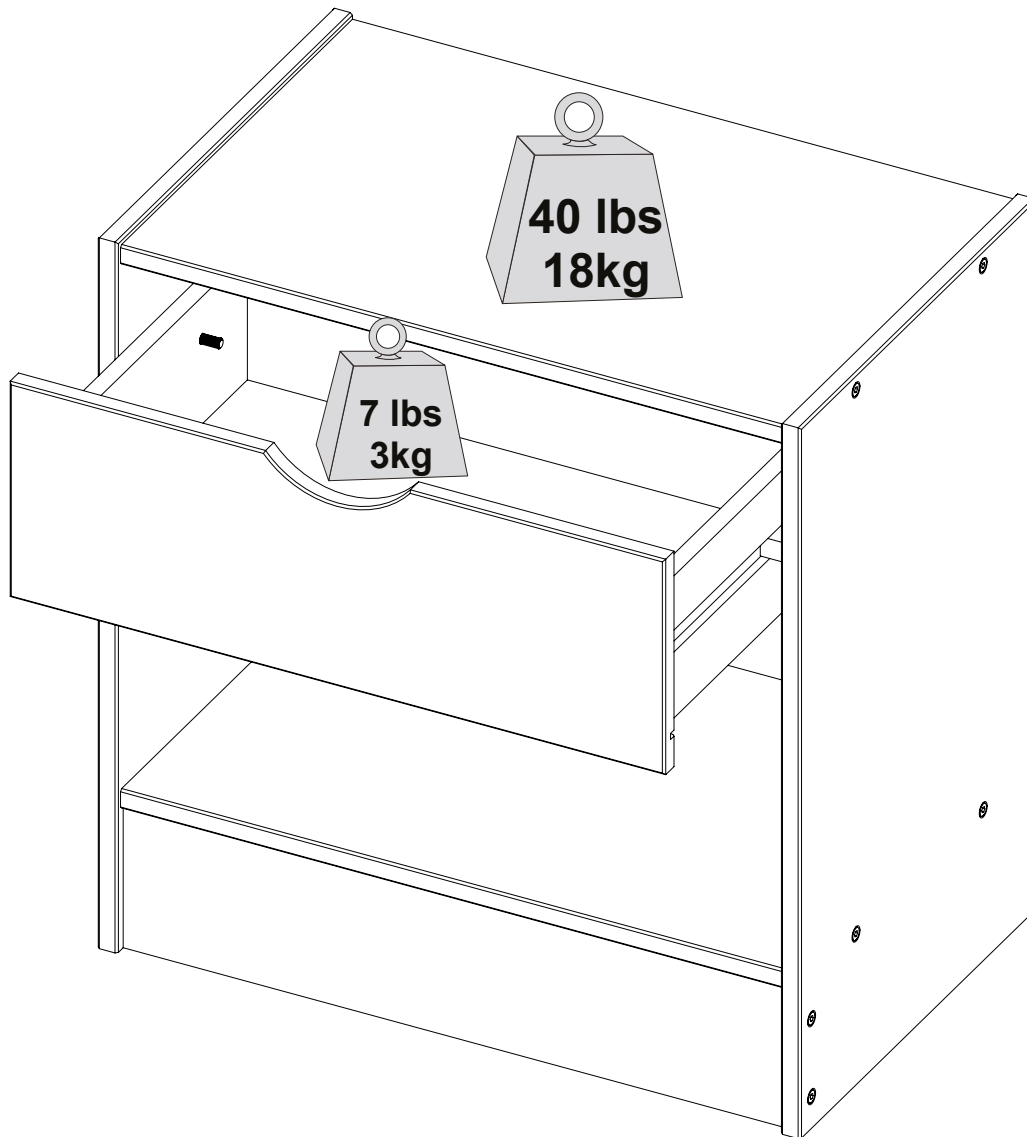
# Step 19

Insert the Plastic bush (R) into the wall. Then, secure the Wall anchor (O) to the wall using a Washer (Q) and a (S) Screw.





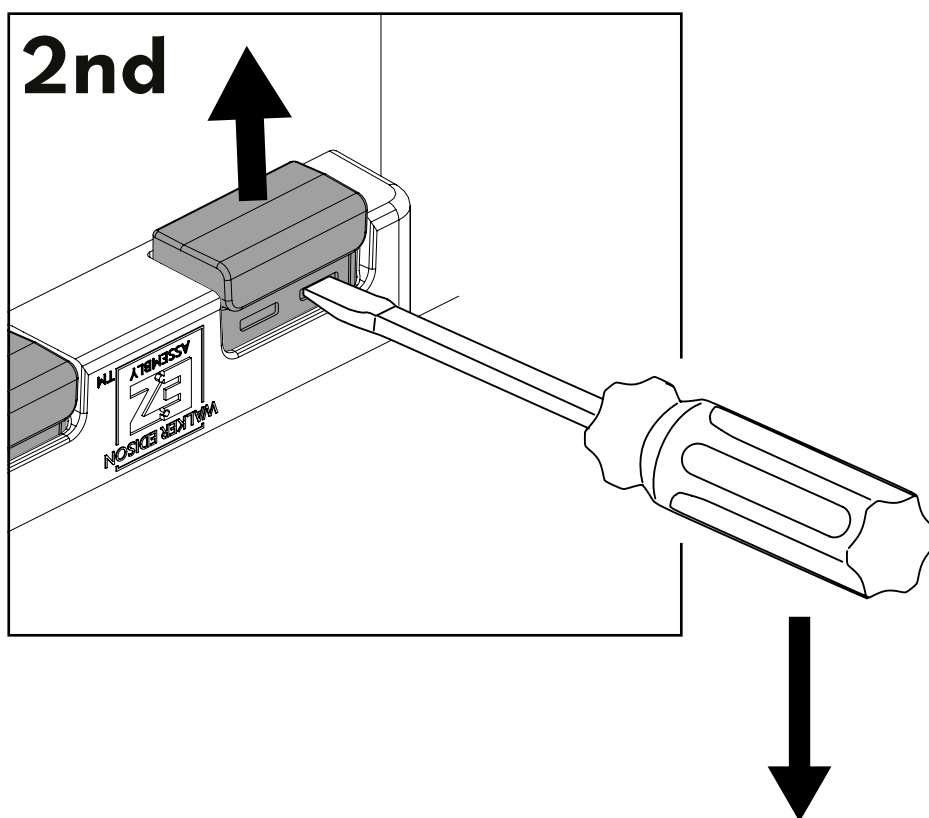
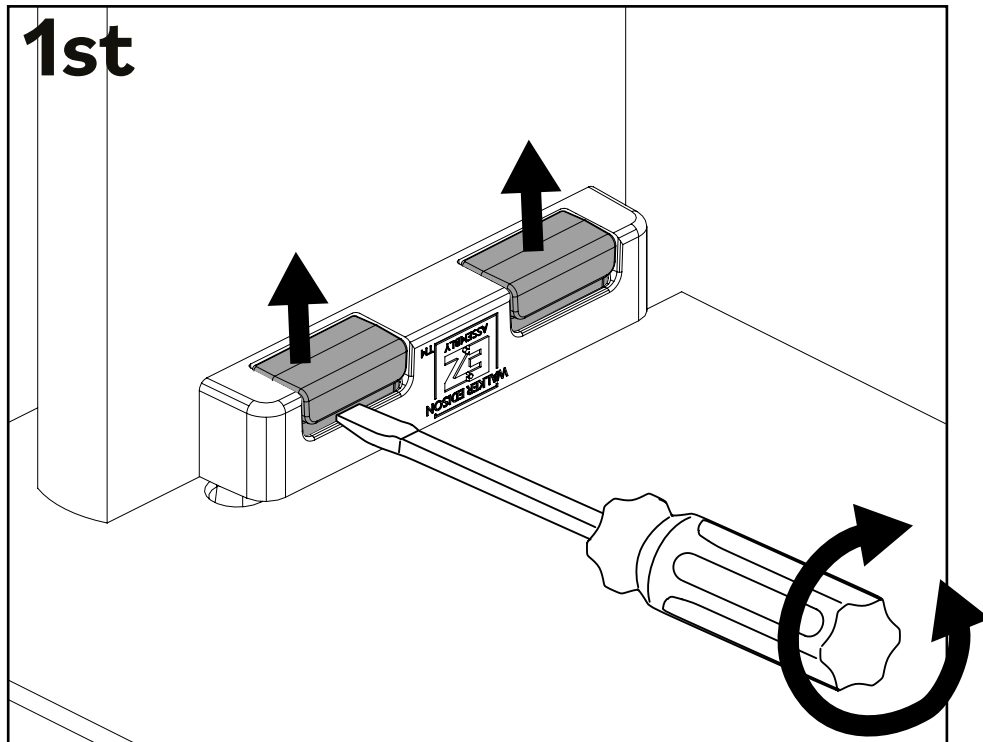
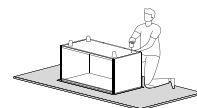
You did it! Enjoy your new nightstand!



Congratulations on your new piece of furniture!  
We would love to hear about it and see it.  
Please leave us a review or post a picture with  
[#mywalkerredisonhome](https://www.instagram.com/mywalkerredisonhome)

# To Disassemble

If it is necessary to disassemble, remove the Dovetail locker (J) with a Slotted head screwdriver.



# Assembling furniture can be tricky sometimes.

Our customer service team, located in Utah, is here for product information, help assembling a product, or for any other customer support issue

Call us at **801-433-3008**

Email us at [service@walkeredison.com](mailto:service@walkeredison.com)

Visit our Customer Service website at [walkeredison.com/pages/customer-service](http://walkeredison.com/pages/customer-service)

We are available to help Monday -Thursday 8am-5pm, Friday 8am-3pm MST

For details on Assembly Videos, Assembly Instructions, Replacement Parts, and Customer service,

**SCAN HERE**

