


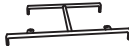





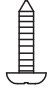



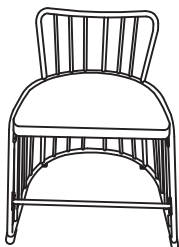


# ASSEMBLY INSTRUCTION

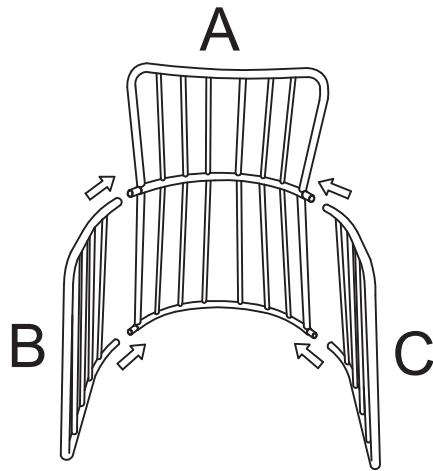
## 24"H COUNTER HEIGHT CHAIR

<b>A</b> METAL BACKREST	<b>B</b> LEFT SIDE FRAME	<b>C</b> RIGHT SIDE FRAME	<b>D</b> CROSS BAR	<b>E</b> FOOTREST
				
1PC	1PC	1PC	1PC	1PC
<b>F</b> CUSHION	<b>G</b> FEET PAD	<b>H</b> ADJUSTABLE FEET PAD M6	<b>I</b> BOLT M6X12mm	<b>J</b> SCREW 4X20mm
				
1PC	2PCS	2PCS	12PCS	1PC
<b>K</b> SCREW 4x15mm	<b>L</b> SCREW 4x12mm	<b>M</b> L-ALLEN KEY M6		
				
4PCS	2PCS	1PC		



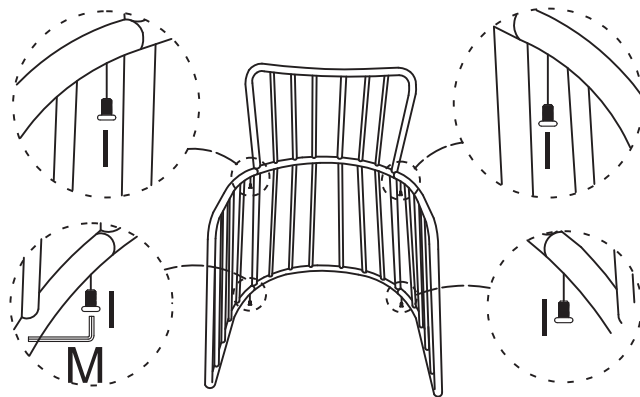
This page lists all the contents included in the box. Please take the time to identify the hardware as well as the individual components to this product. As you unpack and prepare for assembly, place the contents on a carpeted or padded area to protect them from damage.

**1** Align the Left Side Frame (B) and Right Side Frame (C) to Metal Backrest (A).



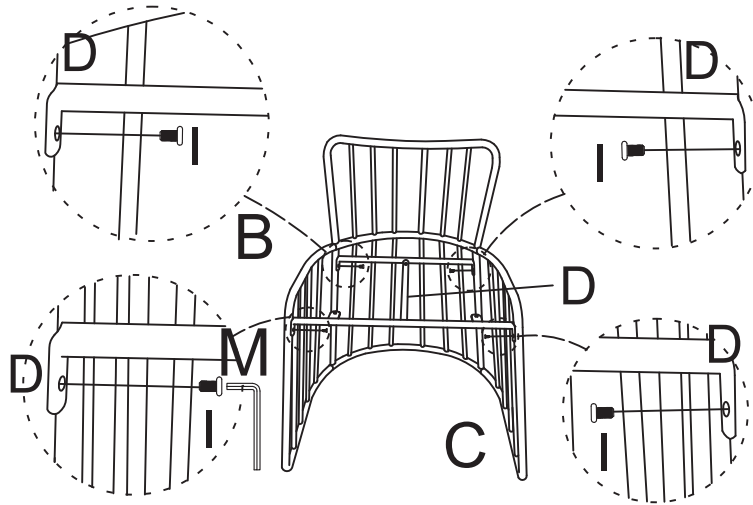
**2** Turn L-Allen Key (M) to tighten Bolts (I).

Take the Allen Key, and turn the bolts until the legs are secure. **DO NOT TIGHTEN COMPLETELY.** Stop when you feel you are adding force to tighten the bolts.

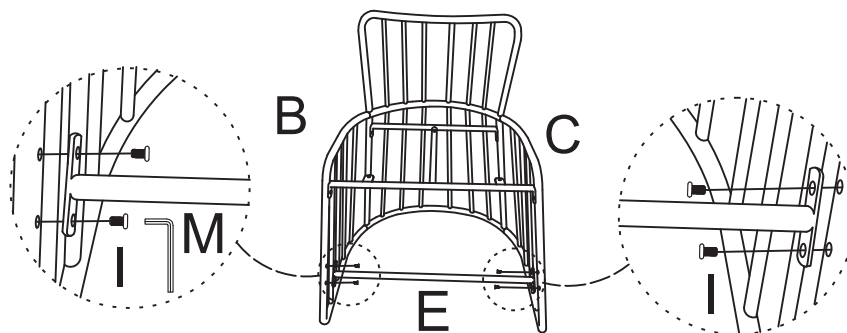


**3**

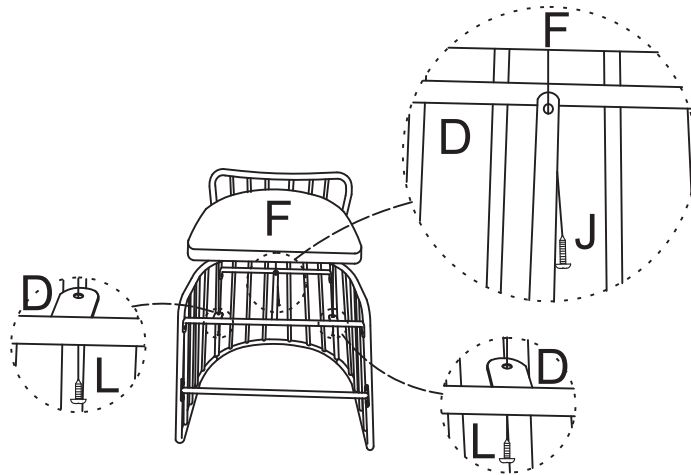
Align the Cross Bar (D) between the Left Side Frame (B) and Right Side Frame (C), then turn L-Allen Key (M) to tighten Bolts (I).

**4**

Align the Footrest (E) between Left Side Frame (B) and Right Side Frame (C), insert Bolts (I), then turn L-Allen Key (M) to tighten them.

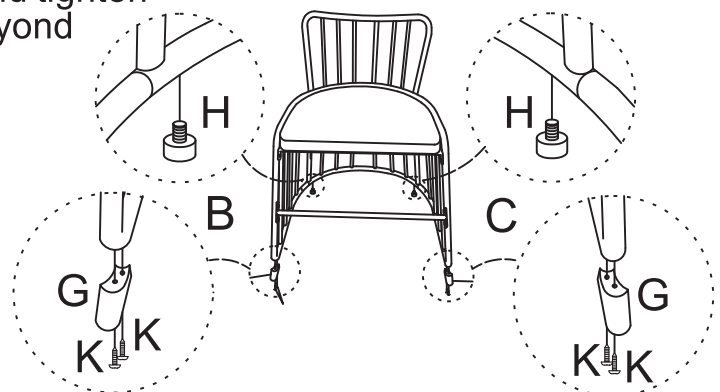


**5** Put the Cushion (F) on Cross Bar (D), then tighten with Screw (J) and Screws (L).



**6** Align the Feet Pad (G) to the bottom of Left Side Frame (B) and Right Side Frame (C) and tighten with Screws (K). Then tighten the Adjustable Feet Pad (H).

Stand chair up on an even surface and check that it is balanced. If there is a slight wobble, apply downward pressure in the corner where a leg is uneven. Keeping pressure in that corner, tighten all bolts. If balanced, apply downward pressure evenly in the center and tighten all bolts. Do not over-tighten beyond hole depth.



Helpful Tip:

-Instead of applying downward pressure while reaching under to tighten bolts, have someone sit in the chair while you tighten the bolts.

## Cleaning & Care

Treat surface with care. Surface is resistant to scratches but is not scratch resistant. Clean surfaces with a dry or damp soft cloth. Do not use abrasive cleaners. Hardware may loosen over time. Periodically check that all connections are tight.