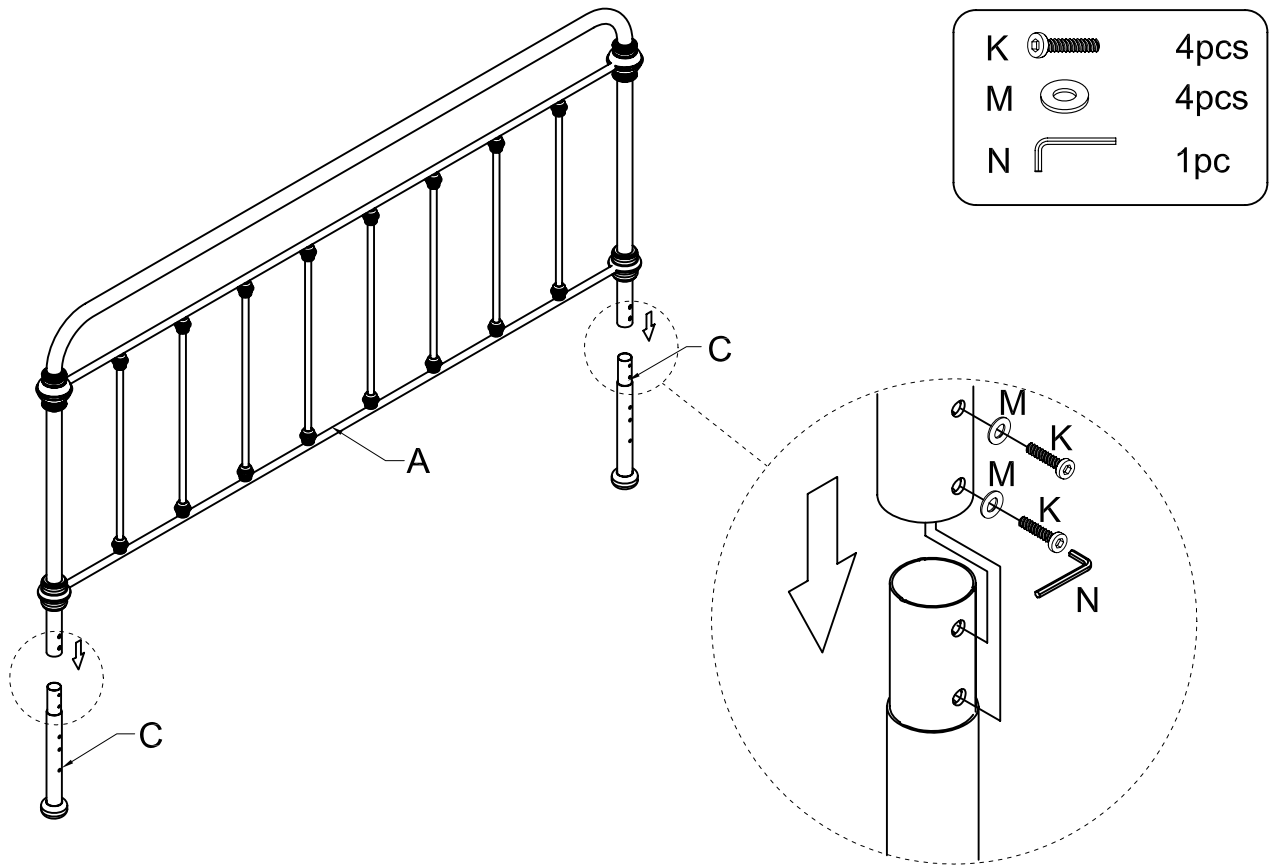
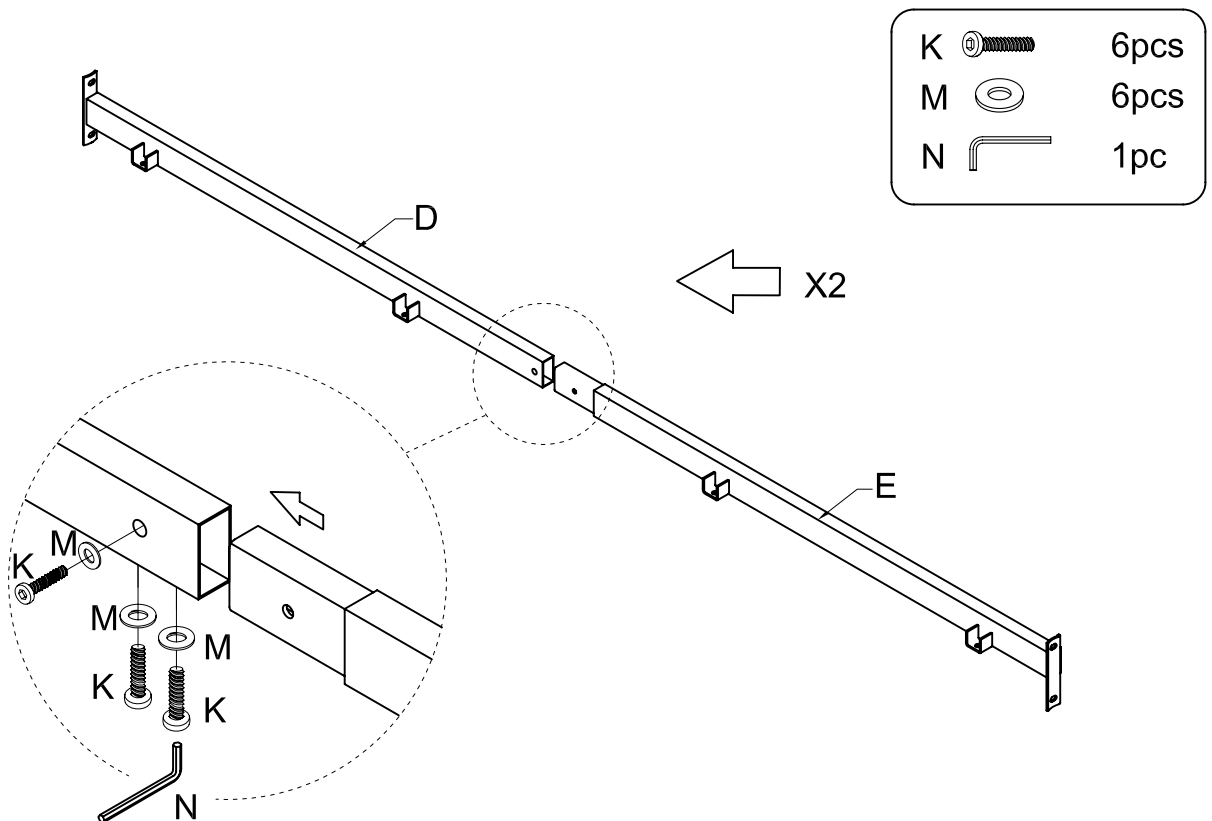


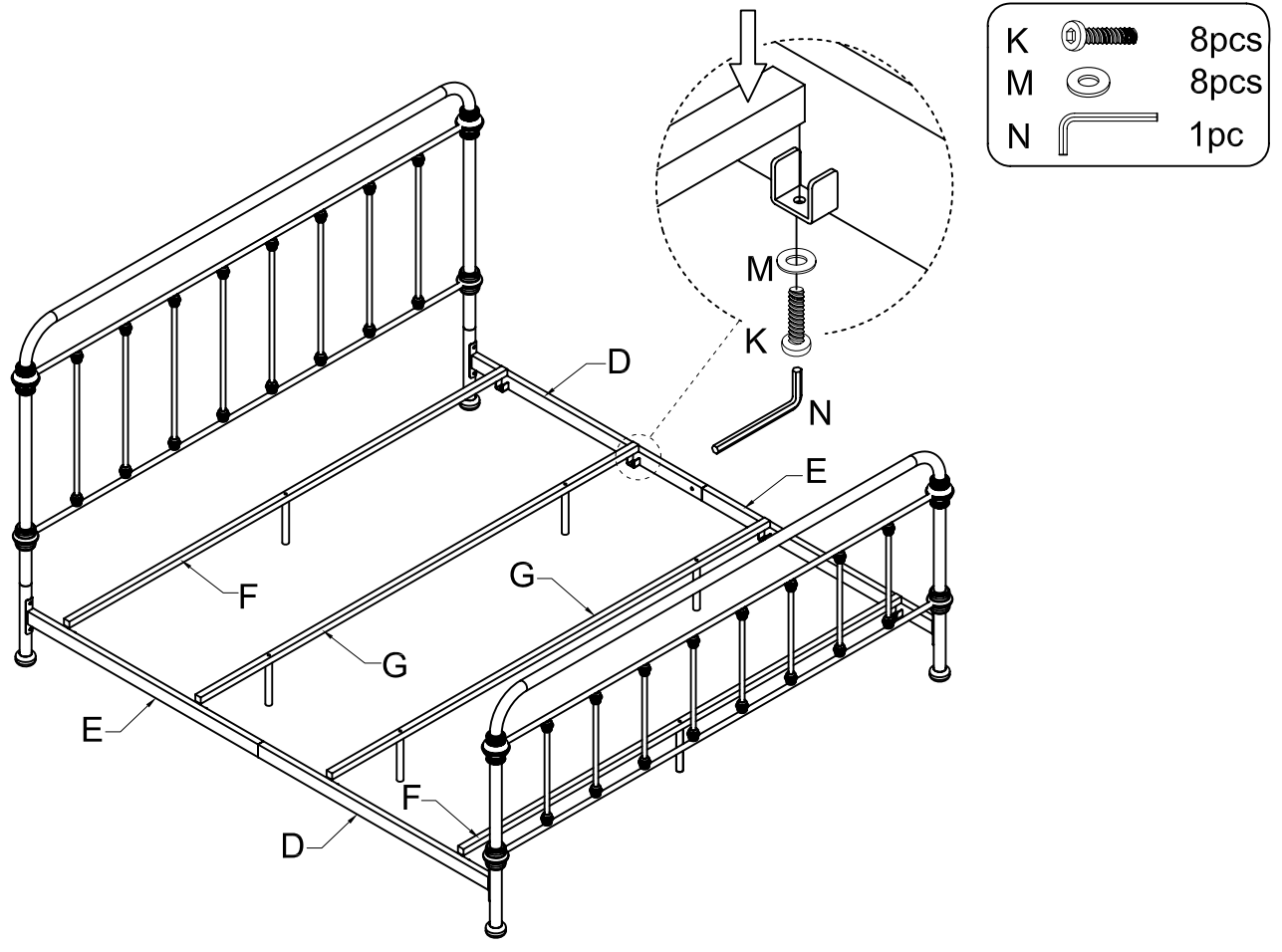
1 Assemble the headboard (A) to the extension leg (C) with 4pcs bolts (K) and 4pcs flat washer (M), then fastened using allen wrench (N).



2 Assemble the side rail - front (D) to the side rail - rear (E) with 6pcs bolts (K) and 6pcs flat washer (M), then fastened using allen wrench (N).



5 Assemble the slats - front / rear (F) and slats - center (G) to the side rail (D & E) with 1pc bolt (K), 1pc flat washer (M) for each end of slats - front / rear (F) and slats - center (G), then fastened using allen wrench (N).



⚠ WARNINGS:

- Do not remove warning label from bed.
 - Use only mattress which is 79"-80" long and 77"-78" wide.
 - Do not allow horseplay or under the bed and prohibit jumping on the bed.
 - Periodically check and ensure that all the components are in their proper position, free from damage, and that all connectors are tight.
 - Do not use substitute parts, contact the store for replacement part.
 - Maximum total loading weight is not to exceed 600 lbs.
- Keep these instructions for future reference.**

Cleaning & Care
 Treat surface with care. Surface is resistant to scratches but is not scratch resistant. Clean surfaces with a dry or damp soft cloth. Do not use abrasive cleaners. Hardware may loosen over time. Periodically check that all connections are tight.