

## Features

- For use on vitreous china urinal.
- For caulking 2" iron pipe or soldering 2" lead pipe.

## Material

- Brass construction.
- Stainless steel beehive grate.

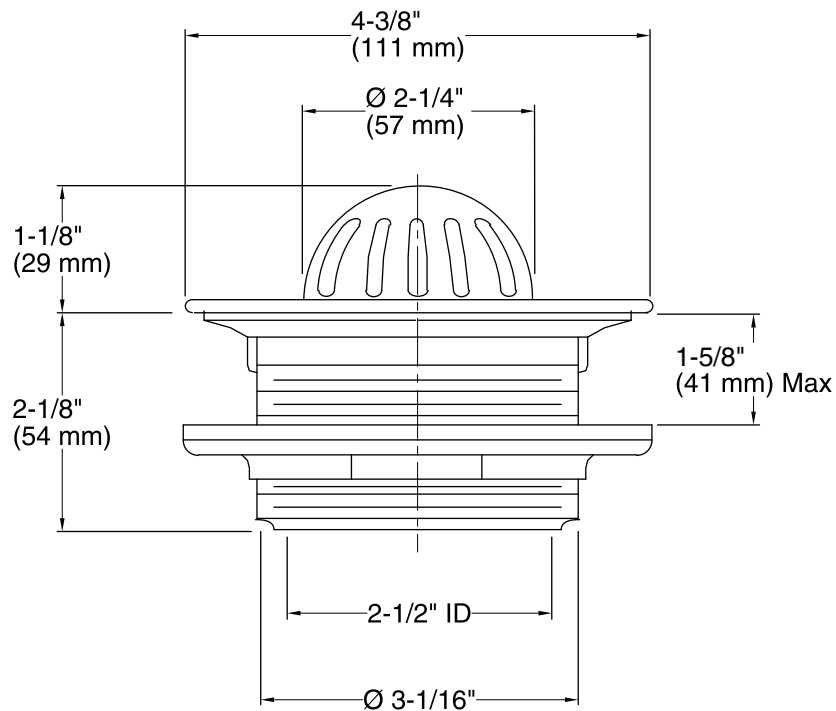


## Codes/Standards

ASME A112.18.1/CSA B125.1

## KOHLER® One-Year Limited Warranty

See website for detailed warranty information.



### Technical Information

All product dimensions are nominal.

### Notes

Install this product according to the installation guide.