



MANUFACTURED BY:
 Backyard Discovery
 3305 Airport Drive, Pittsburg, KS 66762
 800-856-4445

Basepoint Business Centre: Rivermead Drive, Westlea, Swindon SN5 7EX Phone: 0800-118-2476
 J.P. Coenstraat 7, The Bridge, The Hague, 2595 WP, Netherlands Phone: 0800-567-8990

TUBE SLIDE

LEFT EXIT SLIDE

Model # 9230309

The assembly manual must be retained since it contains important information



WARNING
Adult Assembly Required.
 Not suitable for children under 36 months due to small parts.
FOR DOMESTIC USE ONLY. INTENDED FOR OUTDOOR USE.

CAN ICES-003 (B)/NMB-003 (B)



Please visit www.backyarddiscovery.com

For the most up to date assembly manual, to register your set, or to order replacement parts
Para obtener instrucciones en español, visite www.backyarddiscovery.com



EASY STEP-BY-STEP
3D INTERACTIVE INSTRUCTIONS
 DOWNLOAD THE FREE APP



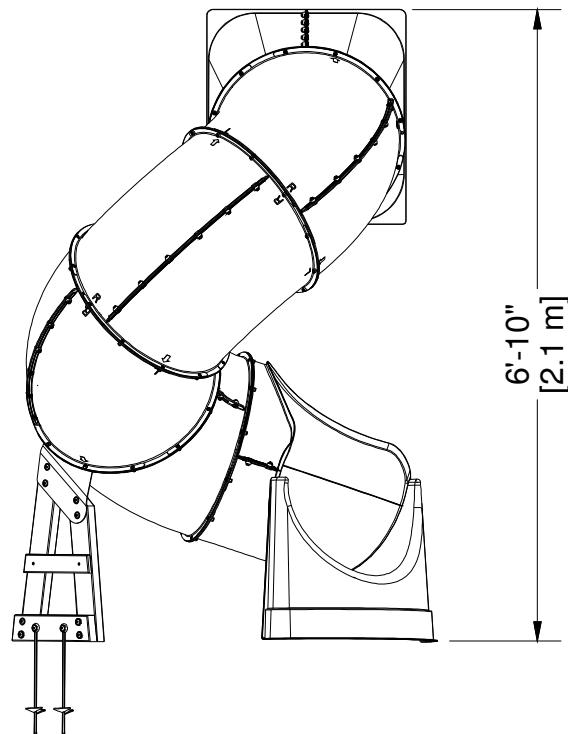
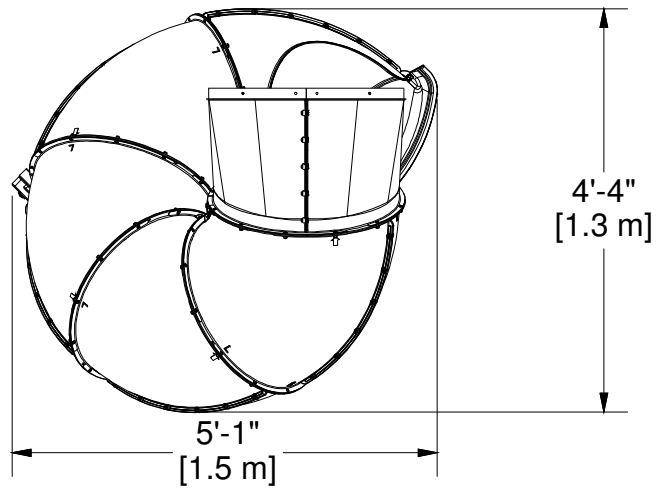
Made in China

INS-9230309-A-TUBE SLIDE-LH-ENG 12/06/23

Owner's Manual - Basic Setup Dimensions & Assembly Notes

Place the set on level ground, not less than 6 ft 7 in [2 m] from any structure or obstruction such as a fence, garage, house, overhanging branches, laundry lines, or electrical wires.

- While assembling unit, take time before and after each phase to make sure fort is level. If fort is not level, assembly will be difficult and improper assembly may result. Extra care must be taken to insure the fort is square.
 - The safe play area refers to a zone extending 6 ft (2m) beyond the play product on all sides, including the space above the play product.
-

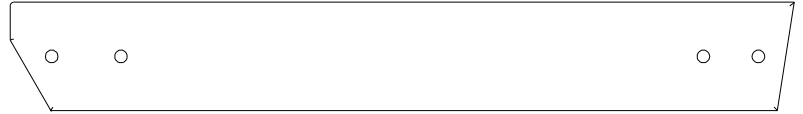


Owner's Manual - Parts Identification

Wood Components (Not to Scale)



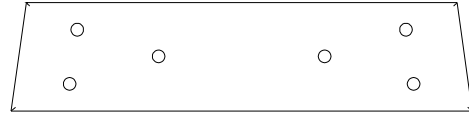
N87 | SAFETY BOARD - W4L18644
(x1) | 5/8"x2 3/8"x12" (16x60x306)



E86 | UPRIGHT - W4L18642
(x1) | 1 3/8"x3 3/8"x24 1/2" (36x86x623)

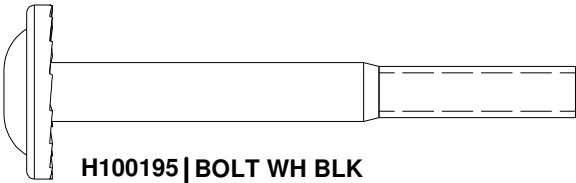


E85 | UPRIGHT - W4L18641
(x1) | 1 3/8"x3 3/8"x19 7/8" (36x86x505)

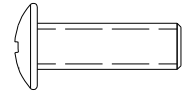


E87 | GROUND BOARD - W4L18643
(x1) | 1 3/8"x3 3/8"x14 3/8" (36x86x366)

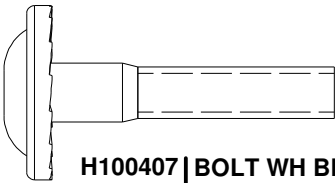
Hardware Components



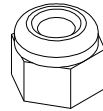
H100195 | BOLT WH BLK
(x4) | 5/16x2-3/4



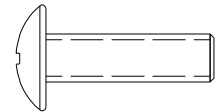
H101275 | BOLT PTH BLK
(x113) | 1/4x3/4



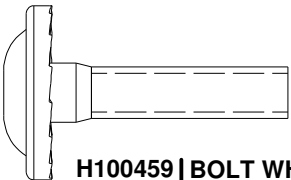
H100407 | BOLT WH BLK
(x4) | 5/16x1 1/2



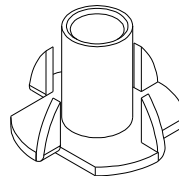
H100653 | NUT LOCK BLK
(x115) | 1/4



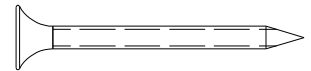
H101276 | BOLT PTH BLK
(x2) | 1/4x7/8



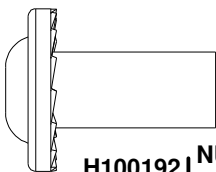
H100459 | BOLT WH BLK
(x2) | 5/16x1 1/4



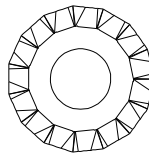
H100379 | T-NUT BLK
(x8) | 5/16



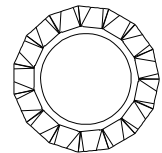
H100200 | SCREW PFH BLK
(x2) | 8x1 1/2



H100192 | NUT BARREL
WH BLK
(x2) | 5/16x7/8



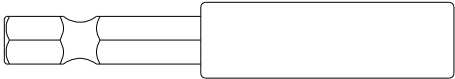
H100198 | WASHER LOCK
EXT BLK
(x4) | 8x19



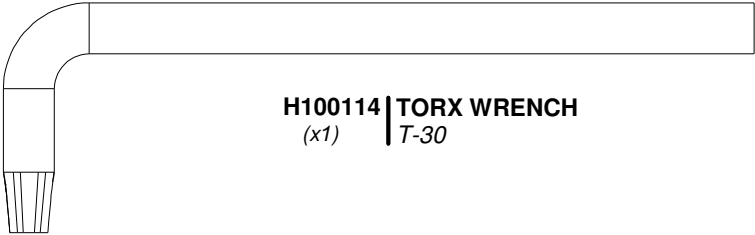
H100199 | WASHER LOCK
EXT BLK
(x2) | 12x19

Owner's Manual - Parts Identification

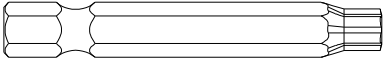
Hardware Components



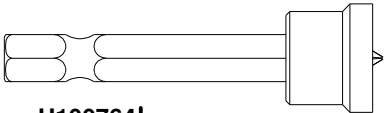
H101100 | **MAGNETIC DRIVER**
(x1)



H100114 | **TORX WRENCH**
(x1) | T-30



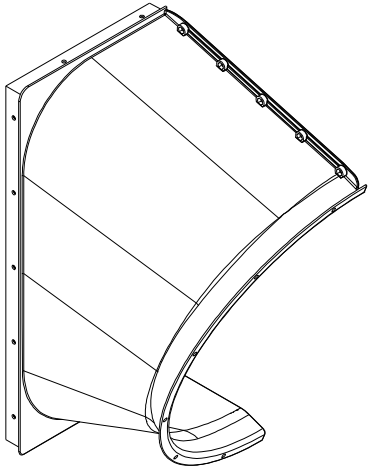
H100147 | **TORX BIT**
(x1) | T-30



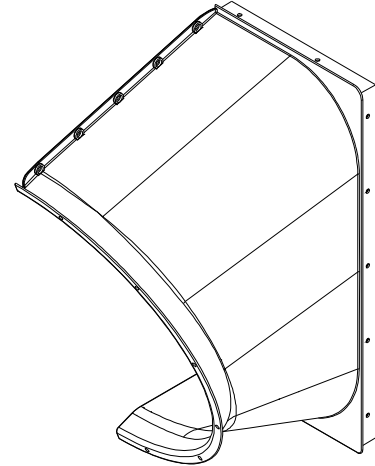
H100764 | **SCREW SETTER**
(x1)

Owner's Manual - Parts Identification

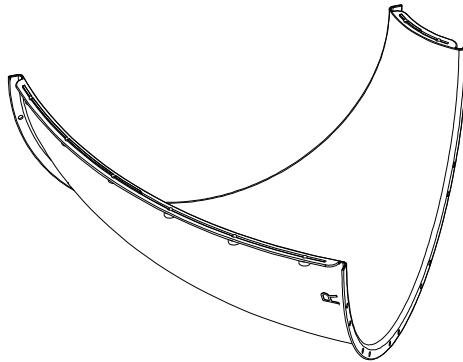
Accessory Components (Not to Scale)



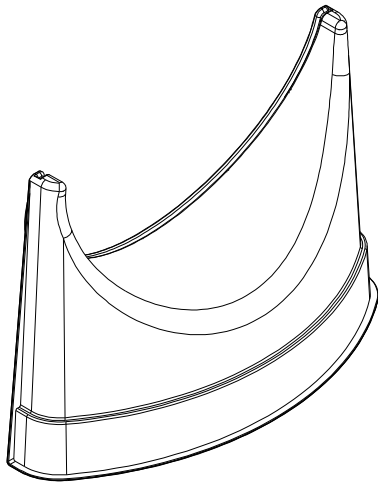
A6P00802-2 | SLIDE ENTRANCE LEFT
(x1)



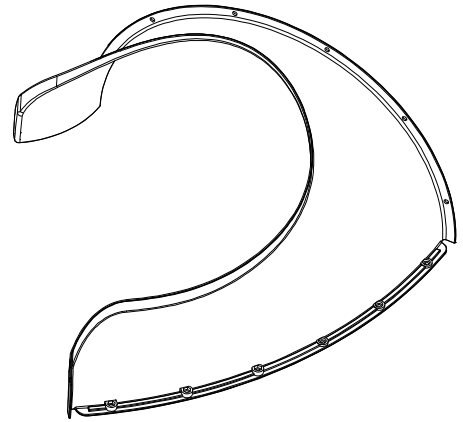
A6P00802-1 | SLIDE ENTRANCE RIGHT
(x1)



A6P00802-4 | SLIDE ELBOW
(x9)



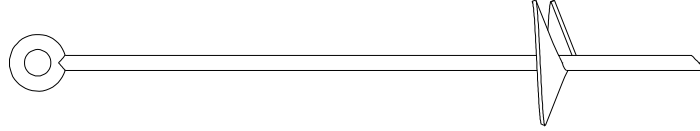
A6P00802-6L | EXIT SUPPORT
(x1)



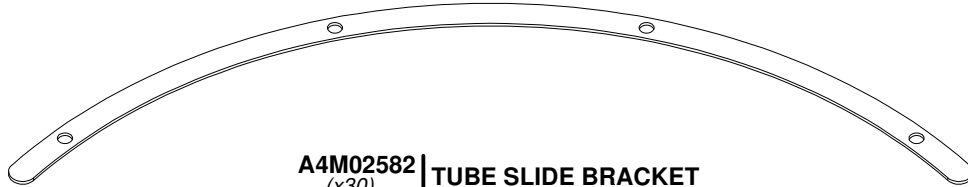
A6P00802-5L | EXIT TOP
(x1)

Owner's Manual - Parts Identification

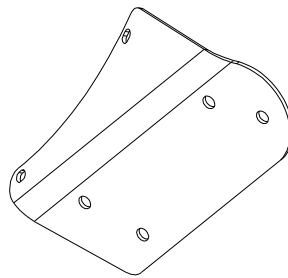
Accessory Components (Not to Scale)



A4M02252 | AUGER GROUND STAKE
(x2)



A4M02582 | TUBE SLIDE BRACKET
(x30)



A4M02581 | TUBE SLIDE BRACKET - LH
(x1)

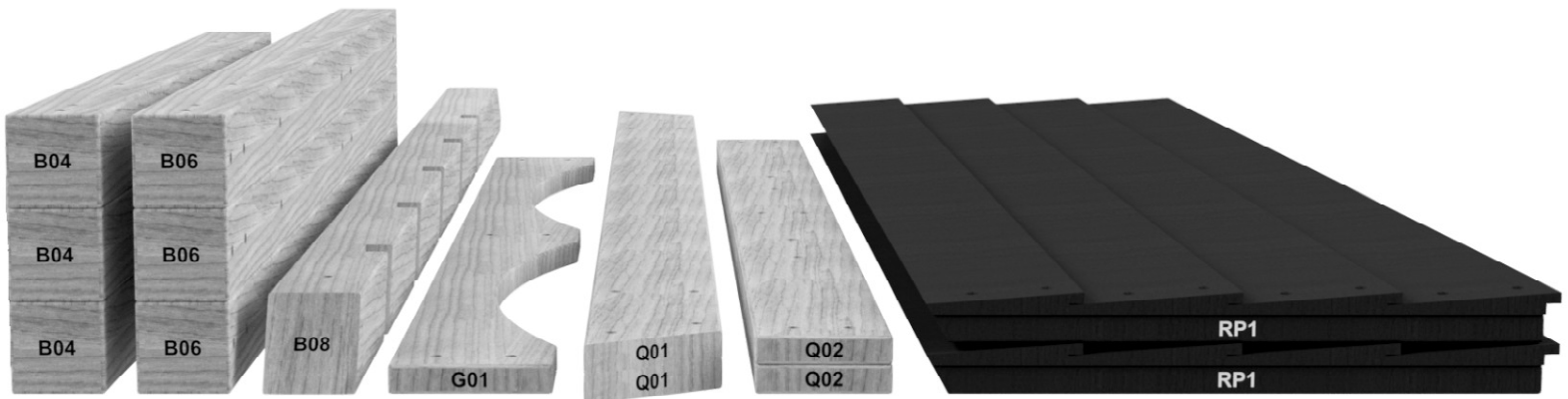
PRE-ASSEMBLY STEP 1 - SORTING PARTS

It is critical for ease of assembly that you take the time to sort and organize the wood and hardware.

WOOD PARTS:

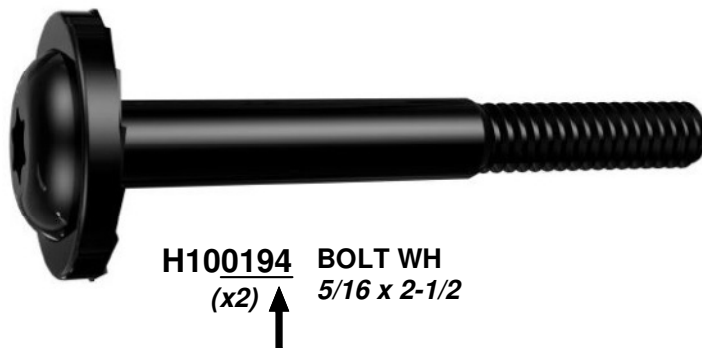
- Organize wood parts by the three-digit, alpha-numeric number stamped on each board (ex. P01).
- If there are multiple boards with the same stamped number, stack those pieces together.
- Stamps can be found on the flat surface of the boards or on the end of the boards.
- Allow yourself plenty of room - the wood pieces can take up a significant amount of space.

NOTE: CARTONS ARE NOT ORGANIZED BY BOARD NUMBER.



HARDWARE PARTS:

- We recommend that you have a separate table to organize the hardware.
- Hardware bags are printed with a seven-digit, alpha-numeric part number.
- You can organize your hardware by part number or group by hardware type (i.e. bolts, nuts, etc.).
- During assembly you only need to reference the last four digits of the number.



PRE-ASSEMBLY STEP 2 - TOOLS REQUIRED



**Cordless Drill or
Electric Drill**



**Drill Attachments:
Phillips Head**



**1/8", 3/16", 3/8" & 7/16"
Drill Bits**



Phillips Screw Driver



Open End Wrenches 1/2" & 9/16"



**3/8" Drive Ratchet, 1/2" &
9/16" STD Sockets 1/2" & 9/16" Deep
Sockets**



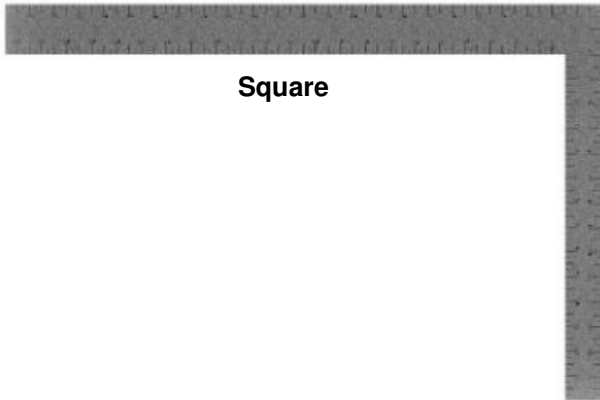
Claw Hammer



Rubber Mallet - Optional



Tape Measure



Square





Level 24"

PRE-ASSEMBLY STEP 3 - CHOOSE YOUR ASSEMBLY METHOD

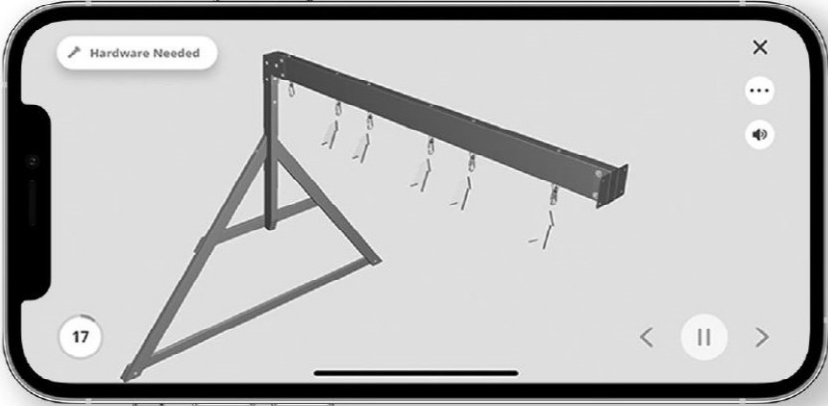


There are several types of assembly instructions available to you.

1. Printed Assembly Manual included with your set
2. BILT APP - 3D interactive instructions
3. Combination of the Printed Manual and BILT APP (Note: Step numbers can differ between the two methods)



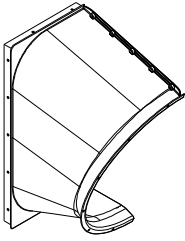
Scan for easy 3D instructions

Download the BILT app
before you begin

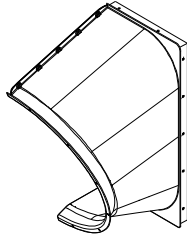


STEP 1 - TUBE SLIDE ASSEMBLY

QTY	PART NUMBER	DESCRIPTION
8	H100653	NUT LOCK 1/4 BLK
8	H101275	BOLT PTH 1/4x3/4 BLK

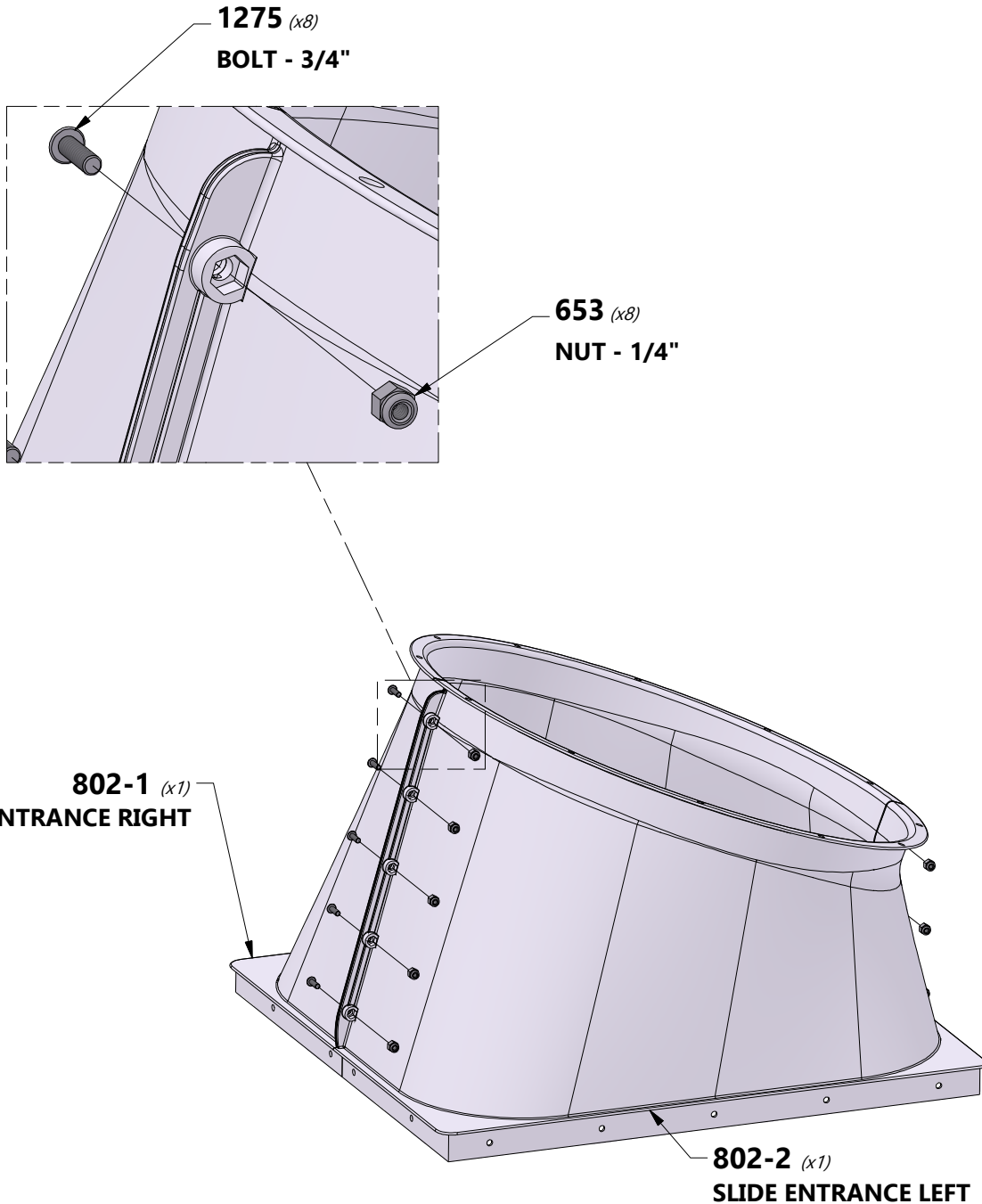


A6P00802-2
(x1) | SLIDE ENTRANCE LEFT



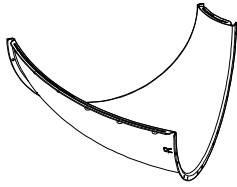
A6P00802-1
(x1) | SLIDE ENTRANCE RIGHT

TIP:
LAYING THE PARTS ON THEIR FLAT END MAKES ASSEMBLY EASIER.



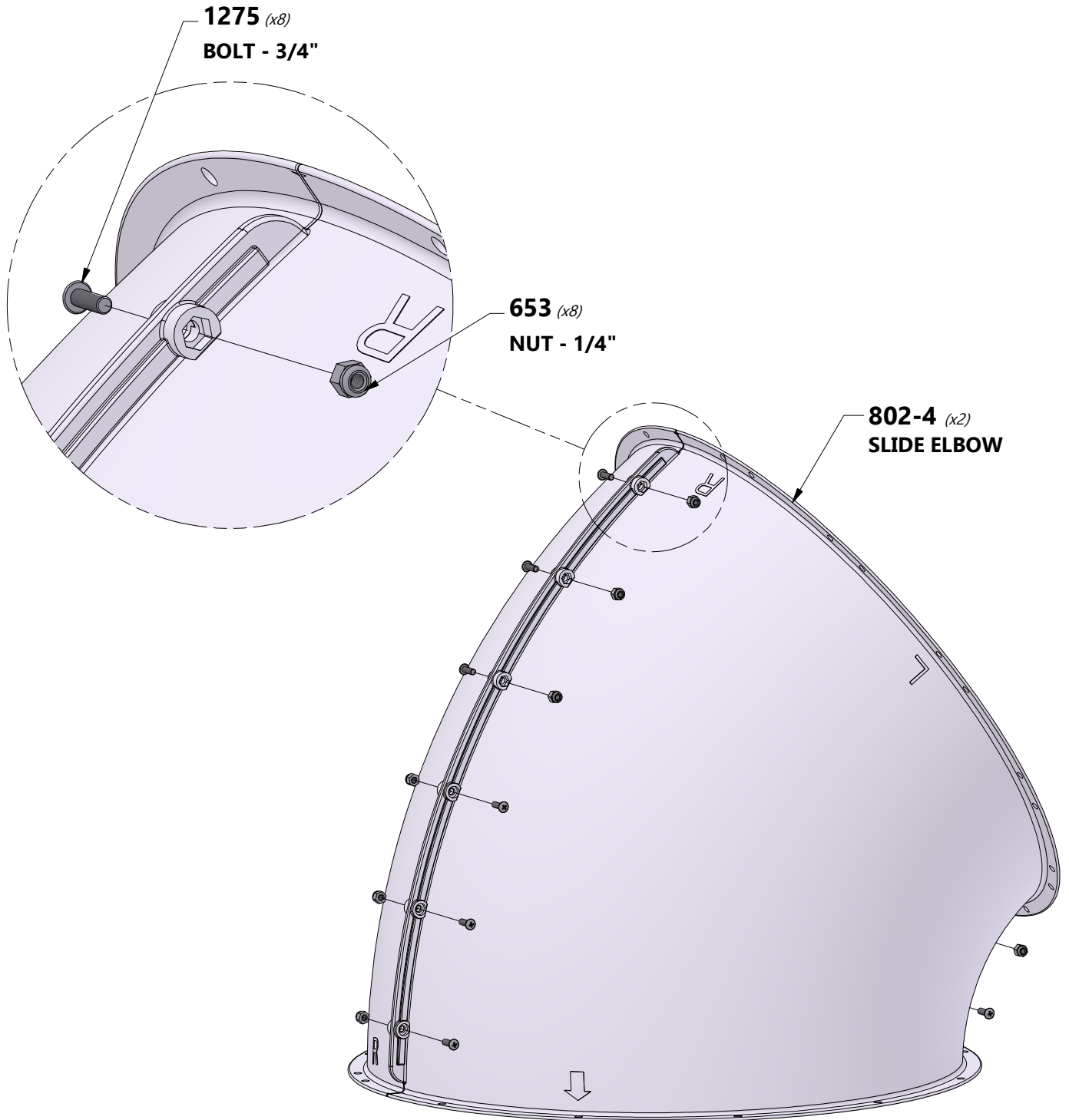
STEP 2 - TUBE SLIDE ASSEMBLY

QTY	PART NUMBER	DESCRIPTION
32	H100653	NUT LOCK 1/4 BLK
32	H101275	BOLT PTH 1/4x3/4 BLK



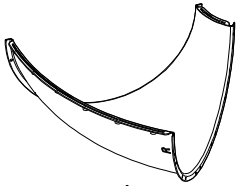
A6P00802-4
(x8) | **SLIDE ELBOW**

NOTE:
REPEAT THIS STEP (3) MORE TIMES.

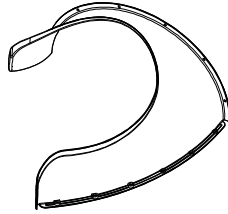


STEP 3 - TUBE SLIDE ASSEMBLY

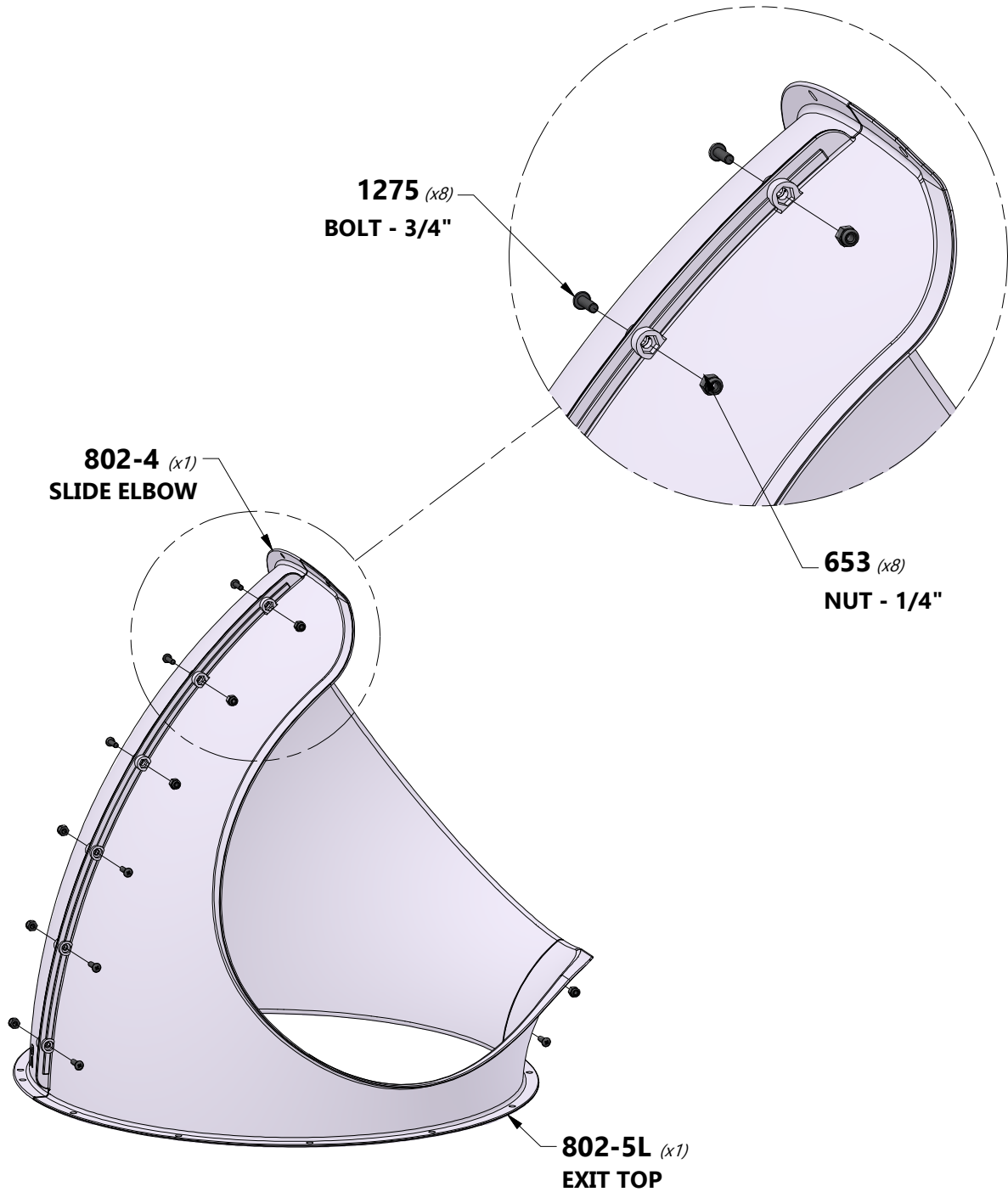
QTY	PART NUMBER	DESCRIPTION
8	H100653	NUT LOCK 1/4 BLK
8	H101275	BOLT PTH 1/4x3/4 BLK



A6P00802-4
(x1) | **SLIDE ELBOW**

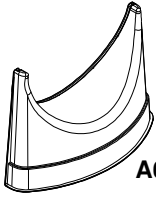


A6P00802-5L
(x1) | **EXIT TOP**



STEP 4 - TUBE SLIDE ASSEMBLY

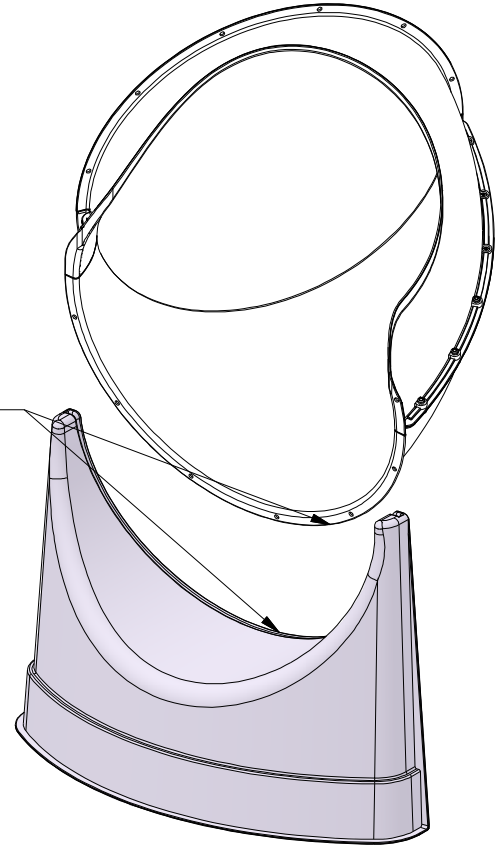
QTY	PART NUMBER	DESCRIPTION
5	H100653	NUT LOCK 1/4 BLK
7	H101275	BOLT PTH 1/4x3/4 BLK



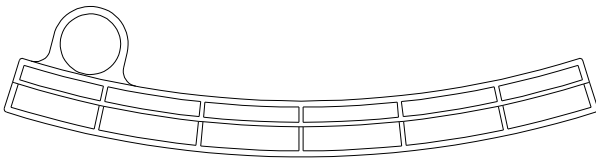
A6P00802-6L
(x1) | **EXIT SUPPORT**

- TIP:**
- **RECOMMENDED BOLT ASSEMBLY ORDER, CLOCKWISE FROM TOP RIGHT.**
 - **MAKE SURE THE EXIT SUPPORT IS ALIGNED WITH THE SLIDE ELBOW AS SHOWN BELOW.**
 - **USE A SCREW DRIVER TO ALIGN HOLES.**
 - **WHEN REMOVING SPACER, BEGIN ALIGNMENT OF TUBE SLIDE OPENING FOR EASIER ASSEMBLY.**

FRONT VIEW



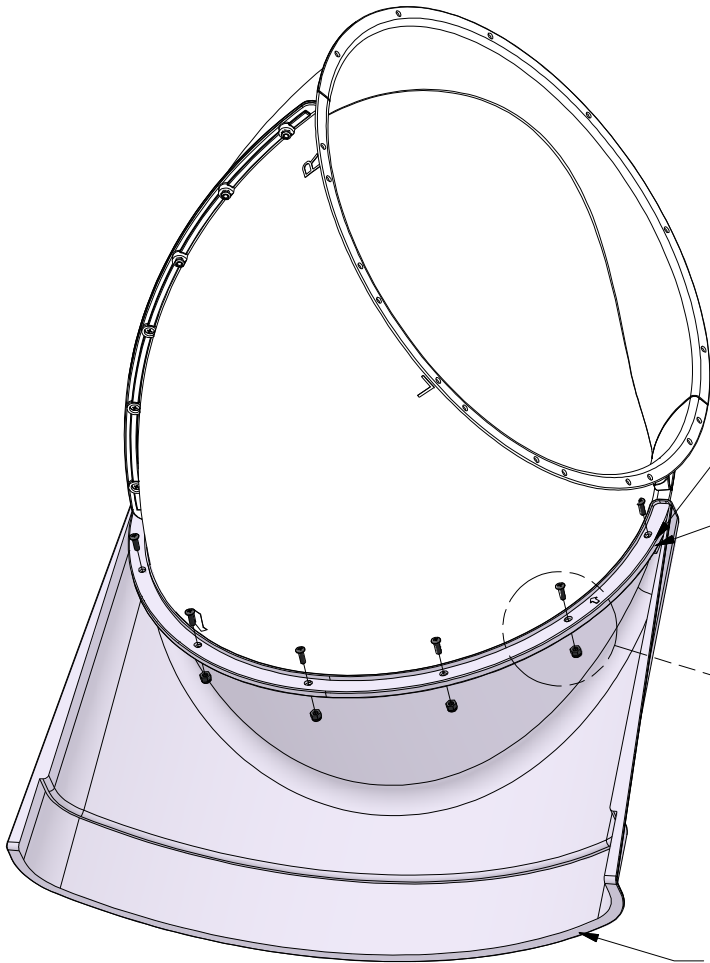
SLIDE INTO GROOVE ON EXIT SUPPORT.



TUBE SLIDE SPACER

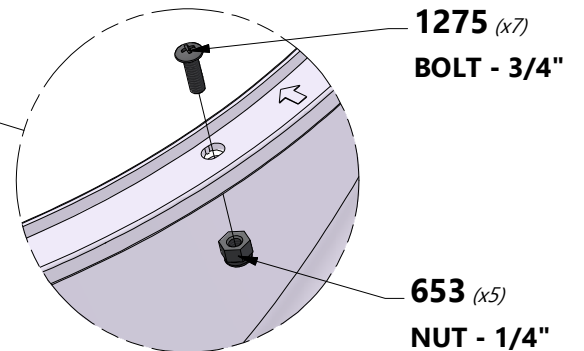
FACTORY INSTALLED NUT. (BOTH CORNERS)

START ALIGNMENT OF HOLES FROM THE TOP LEFT.



BACK VIEW

802-6L (x2)
EXIT SUPPORT

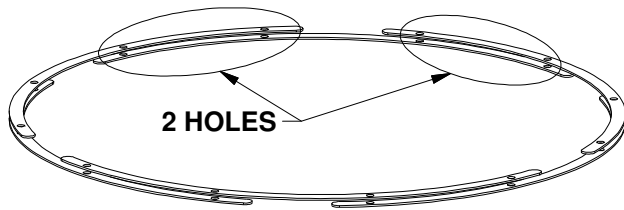


1275 (x7)
BOLT - 3/4"

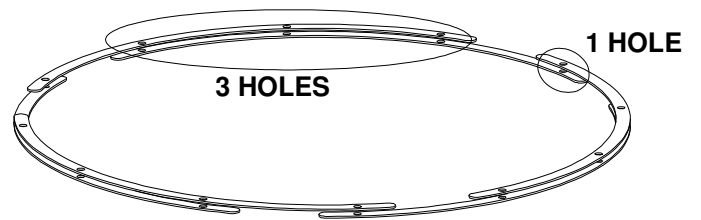
653 (x5)
NUT - 1/4"

REFERENCE TUBE SLIDE ASSEMBLY

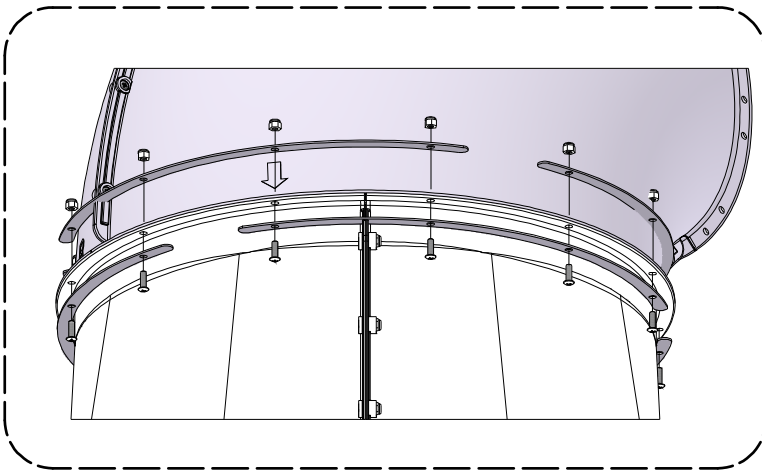
IMPORTANT: BRACKET CONFIGURATION ASSEMBLY & PLACEMENT.



CONFIGURATION 'A' DIAGRAM

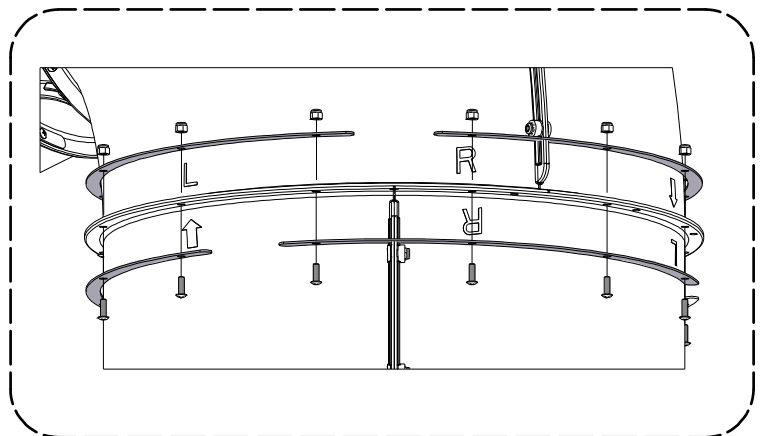


CONFIGURATION 'B' DIAGRAM



CONFIGURATION 'A'

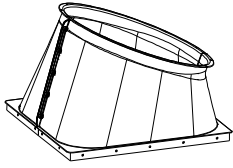
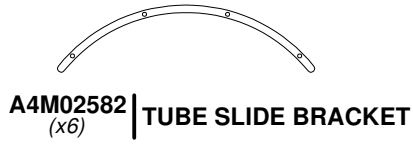
NOTE:
PAY CLOSE ATTENTION TO THE ALIGNMENT MARKINGS ON EACH SLIDE SECTION. THE MARKINGS WILL AID YOU IN POSITIONING THE METAL SLIDE BRACKETS CORRECTLY.



CONFIGURATION 'B'

STEP 5 - TUBE SLIDE ASSEMBLY

QTY	PART NUMBER	DESCRIPTION
12	H100653	NUT LOCK 1/4 BLK
12	H101275	BOLT PTH 1/4x3/4 BLK



(1)-ENTRANCE SUB-ASSEMBLY



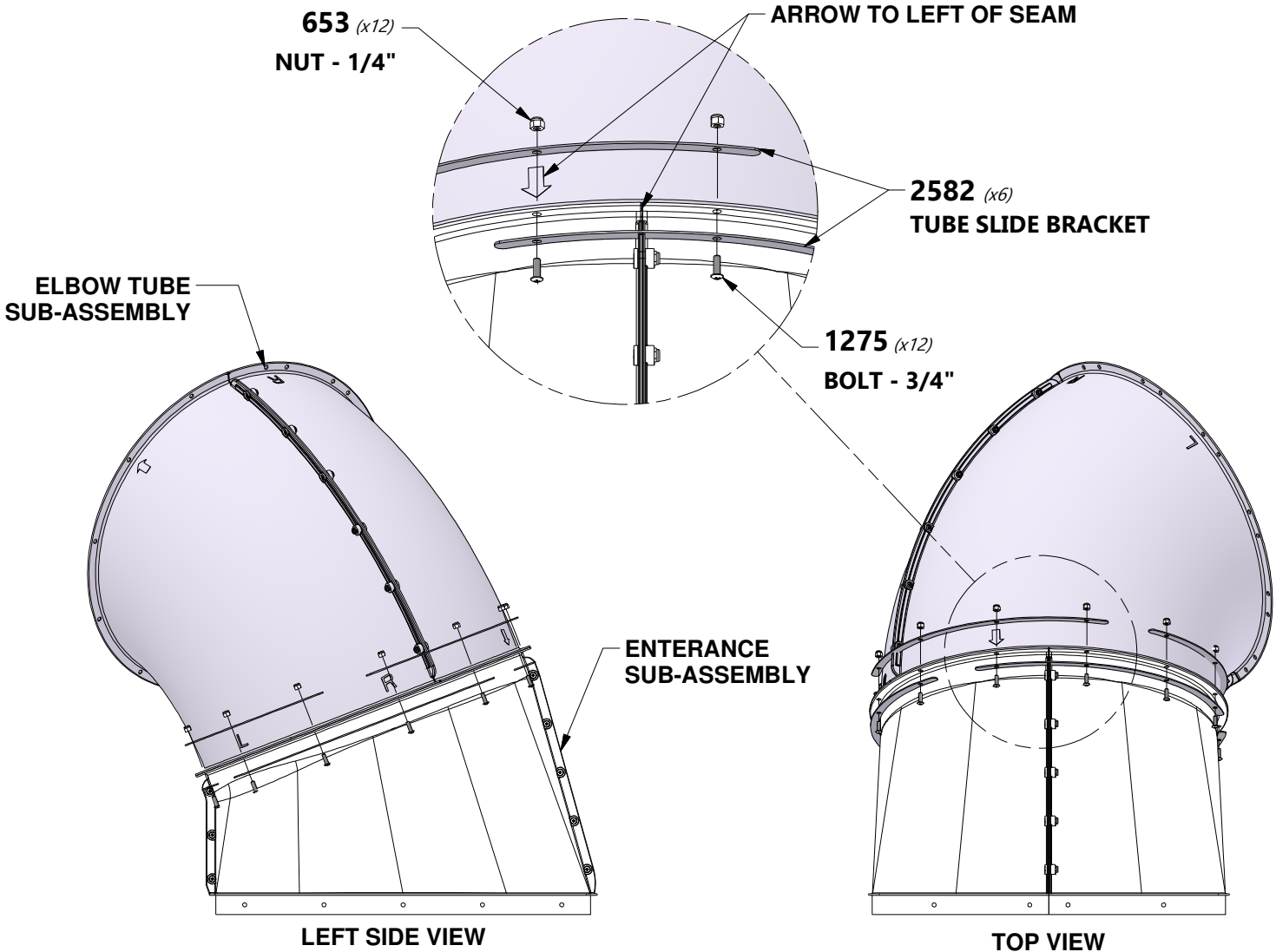
(1)-ELBOW TUBE SUB-ASSEMBLY

NOTE:

- ALIGN THE 'ARROW' ONE HOLE TO THE LEFT OF SEAM TO ACHIEVE THE PROPER POSITION WHEN ASSEMBLING THE SLIDE.
- NOTE THIS SECTION ASSEMBLY USES CONFIGURATION 'A' SHOWN IN THE REFERENCE PAGE.

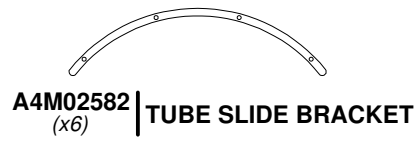
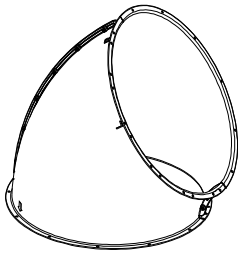
TIP:

USE A SCREW DRIVER TO ALIGN HOLES.



STEP 6 - TUBE SLIDE ASSEMBLY

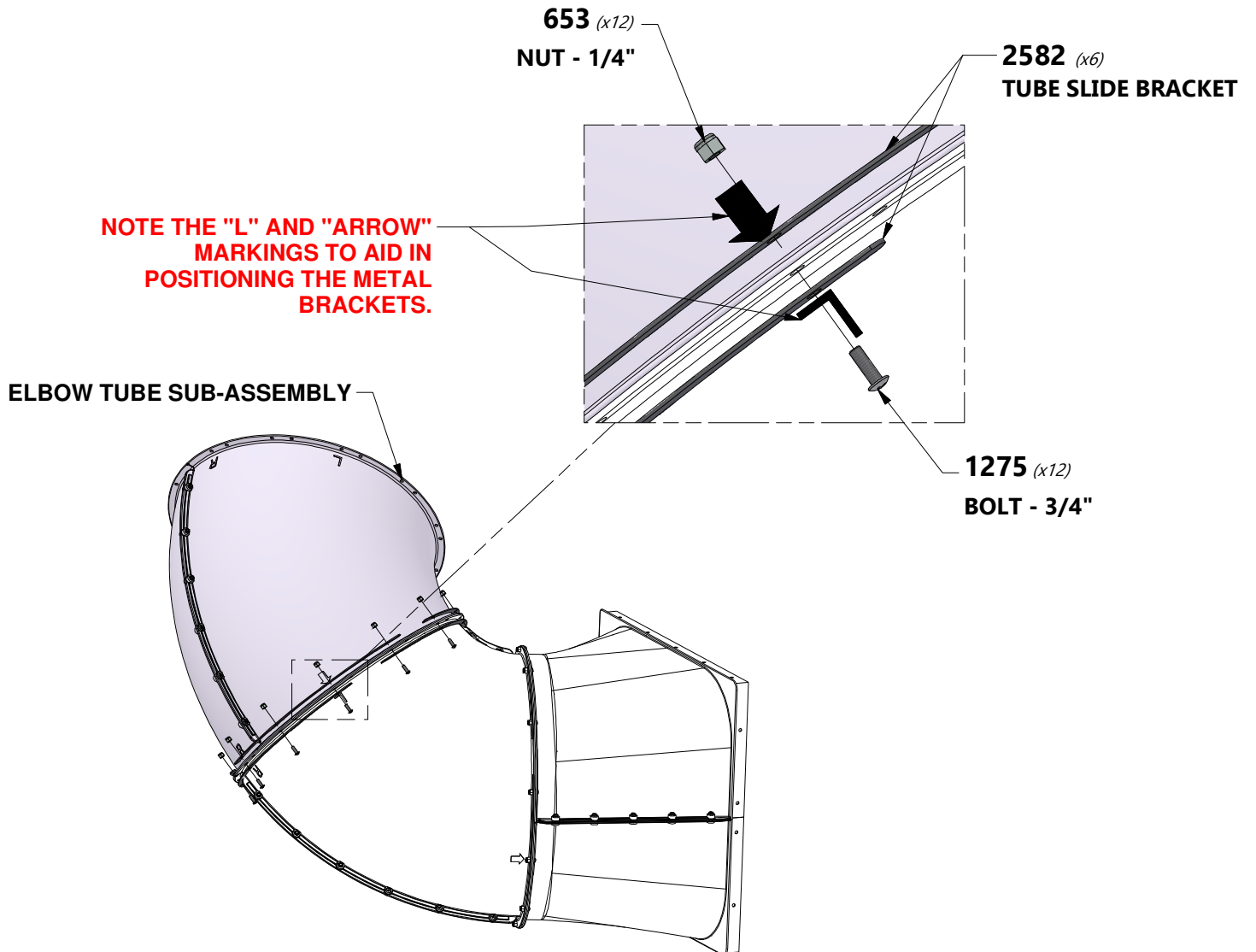
QTY	PART NUMBER	DESCRIPTION
12	H100653	NUT LOCK 1/4 BLK
12	H101275	BOLT PTH 1/4x3/4 BLK



(1)-ELBOW TUBE SUB-ASSEMBLY

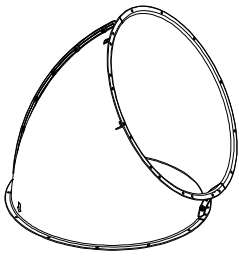
NOTE:

- ALIGN THE 'L' AND THE 'ARROW' TO ACHIEVE THE PROPER POSITION WHEN ASSEMBLING THE SLIDE.
- NOTE THIS SECTION ASSEMBLY USES CONFIGURATION 'B' SHOWN IN THE REFERENCE PAGE.

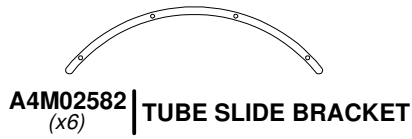


STEP 7 - TUBE SLIDE ASSEMBLY

QTY	PART NUMBER	DESCRIPTION
12	H100653	NUT LOCK 1/4 BLK
12	H101275	BOLT PTH 1/4x3/4 BLK

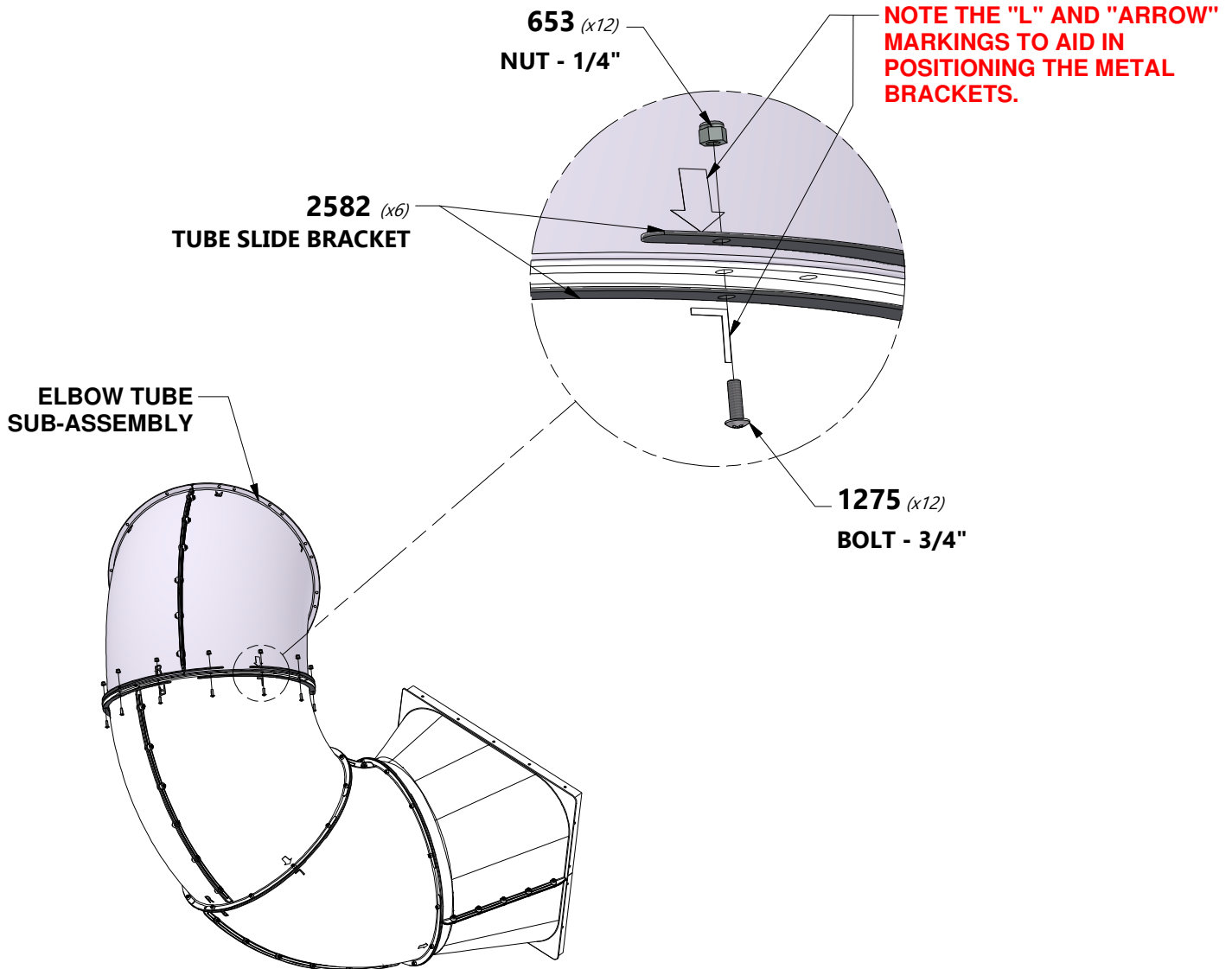


(1)-ELBOW TUBE SUB-ASSEMBLY



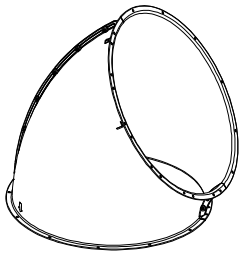
NOTE:

- ALIGN THE 'L' AND THE 'ARROW' TO ACHIEVE THE PROPER POSITION WHEN ASSEMBLING THE SLIDE.
- NOTE THIS SECTION ASSEMBLY USES CONFIGURATION 'B' SHOWN IN THE REFERENCE PAGE.

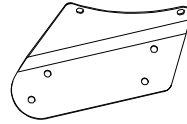
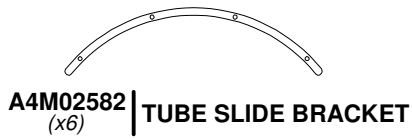


STEP 8 - TUBE SLIDE ASSEMBLY

QTY	PART NUMBER	DESCRIPTION
12	H100653	NUT LOCK 1/4 BLK
10	H101275	BOLT PTH 1/4x3/4 BLK
2	H101276	BOLT PTH 1/4x7/8 BLK

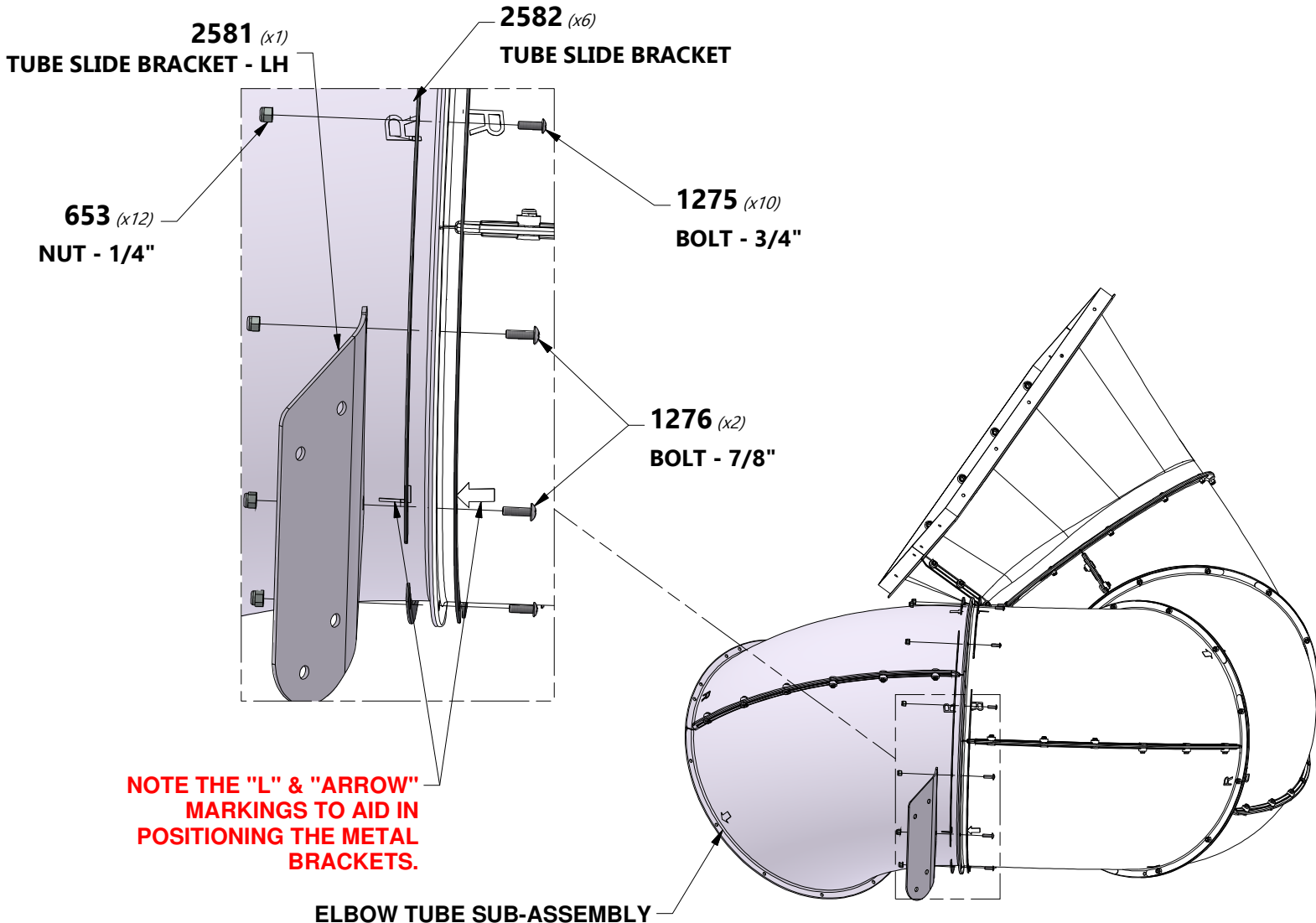


(1)-ELBOW TUBE SUB-ASSEMBLY



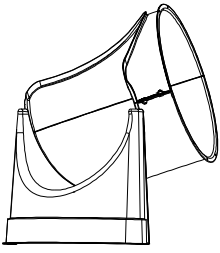
NOTE:

- ALIGN THE 'L' AND THE 'ARROW' TO ACHIEVE THE PROPER POSITION WHEN ASSEMBLING THE SLIDE.
- NOTE THIS SECTION ASSEMBLY USES CONFIGURATION 'B' SHOWN IN THE REFERENCE PAGE.
- NOTE THE (2) BOLTS USED TO ASSEMBLE THE SLIDE BRACKET ARE 7/8", NOT 3/4".

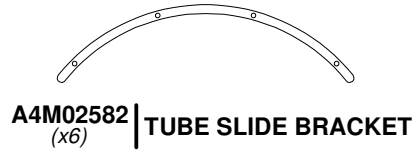


STEP 9 - TUBE SLIDE ASSEMBLY

QTY	PART NUMBER	DESCRIPTION
12	H100653	NUT LOCK 1/4 BLK
12	H101275	BOLT PTH 1/4x3/4 BLK

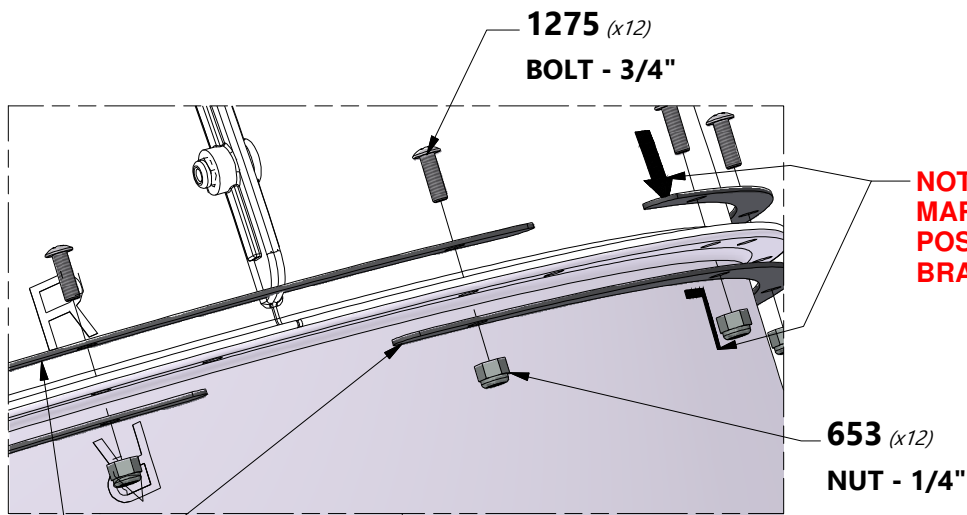


(1)-EXIT SUB-ASSEMBLY

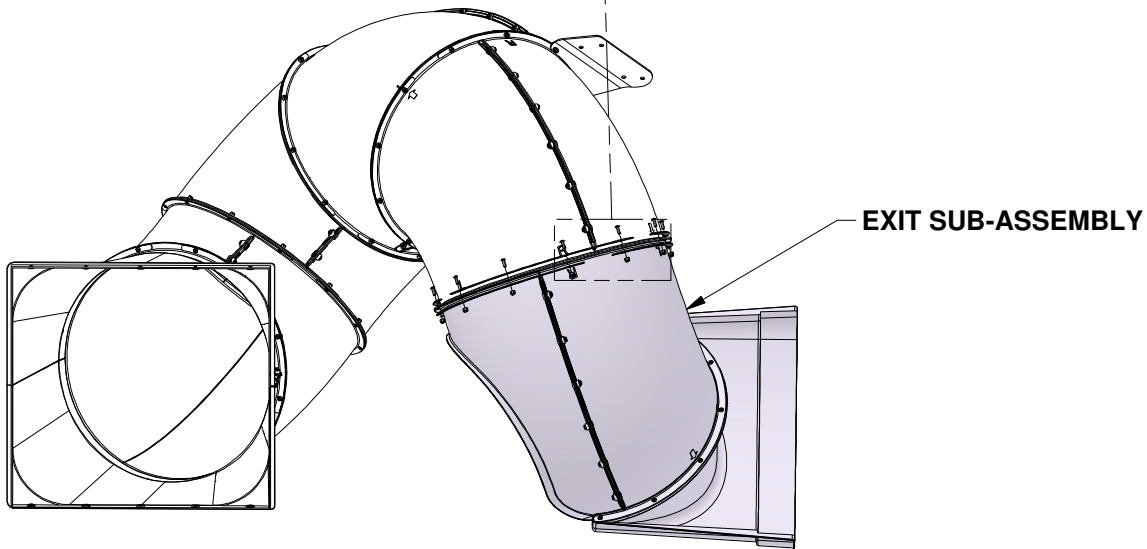


NOTE:

- ALIGN THE 'L' AND THE 'ARROW' TO ACHIEVE THE PROPER POSITION WHEN ASSEMBLING THE SLIDE.
- NOTE THIS SECTION ASSEMBLY USES CONFIGURATION 'B' SHOWN IN THE REFERENCE PAGE.

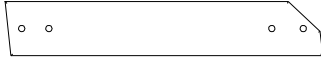


2582 (x6)
TUBE SLIDE BRACKET



STEP 10 - TUBE SLIDE ASSEMBLY

QTY	PART NUMBER	DESCRIPTION
4	H100195	BOLT WH 5/16x2 3/4 BLK
4	H100198	WASHER LOCK EXT 8x19 BLK
4	H100379	T-NUT 5/16 BLK



E85 | UPRIGHT - W4L18641
(x1) | 1 3/8"x3 3/8"x19 7/8" (36x86x505)

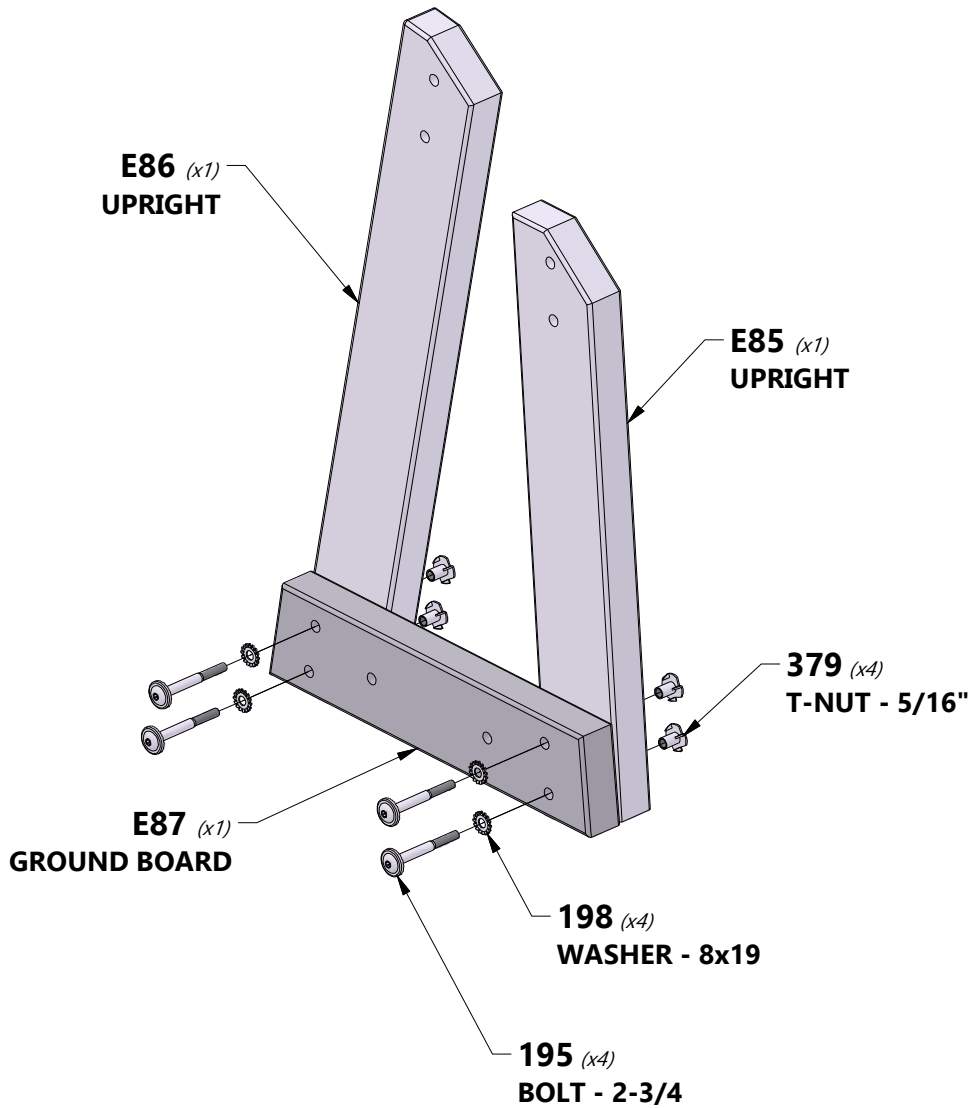


E87 | GROUND BOARD - W4L18643
(x1) | 1 3/8"x3 3/8"x14 3/8" (36x86x366)



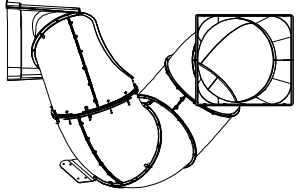
E86 | UPRIGHT - W4L18642
(x1) | 1 3/8"x3 3/8"x24 1/2" (36x86x623)

TIP:
INSTALL T-NUTS FIRST.

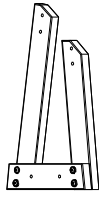


STEP 11 - TUBE SLIDE ASSEMBLY

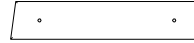
QTY	PART NUMBER	DESCRIPTION
2	H100200	SCREW PFH 8x1 1/2 BLK
4	H100379	T-NUT 5/16 BLK
4	H100407	BOLT WH 5/16x1 1/2 BLK



(1)-TUBE SLIDE SUB-ASSEMBLY

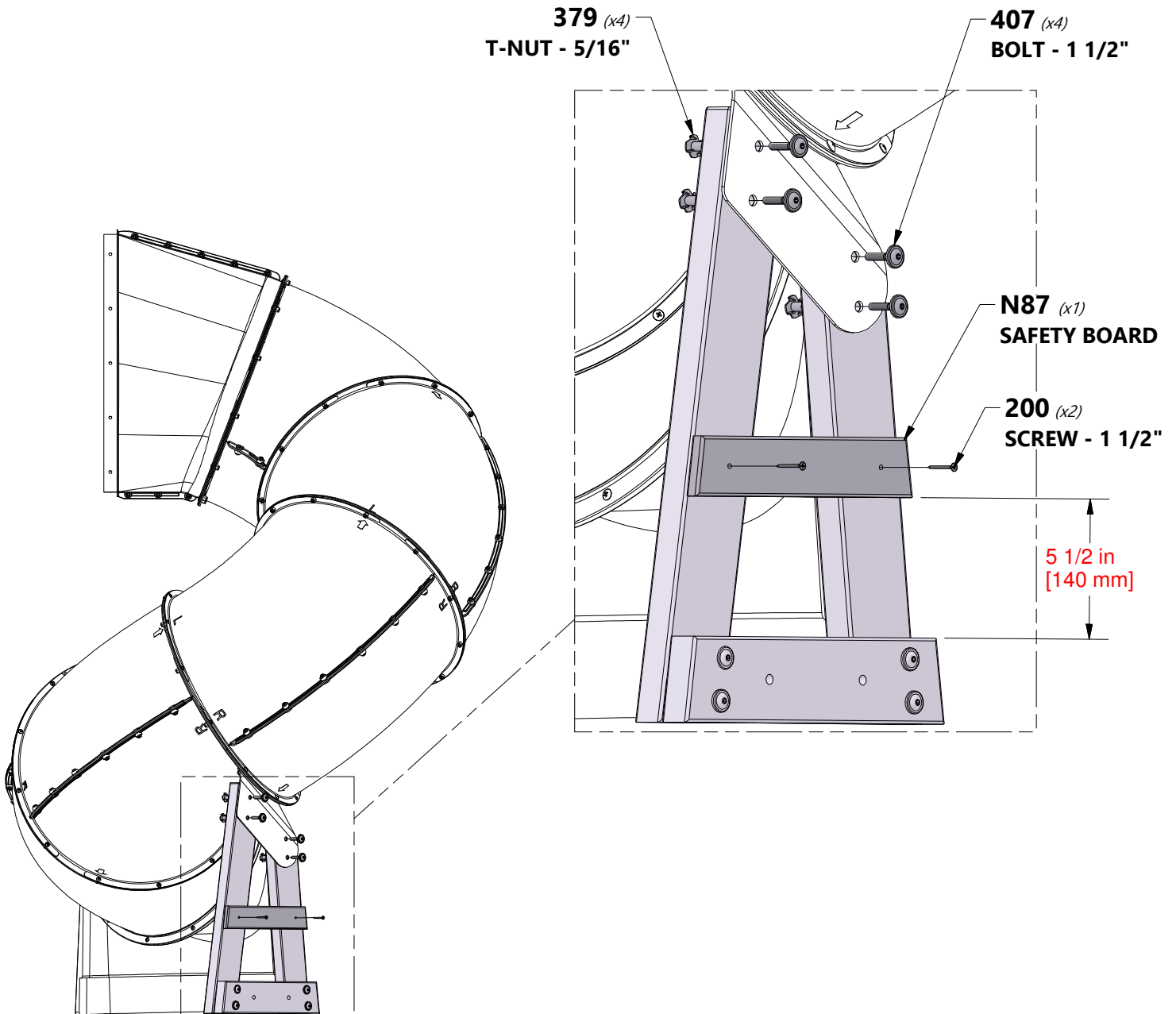


(1)-SLIDE BRACE SUB-ASSEMBLY



N87 | SAFETY BOARD - W4L18644
(x1) 5/8"x2 3/8"x12" (16x60x306)

TIP:
INSTALL T-NUTS FIRST.



STEP 12 - TUBE SLIDE ASSEMBLY

QTY	PART NUMBER	DESCRIPTION
2	H100192	NUT BARREL WH BLK
2	H100199	WASHER LOCK EXT 12x19 BLK
2	H100459	BOLT WH 5/16x1 1/4 BLK

