
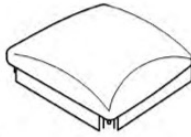










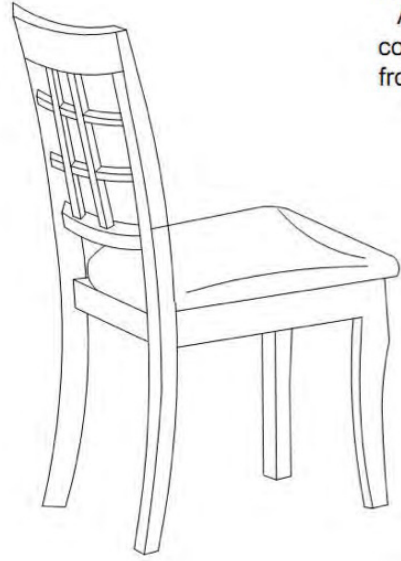
ASSEMBLY INSTRUCTION

BLACK WINDOW BACK SIDE CHAIR WITH BEIGE MICROFIBER CUSHION

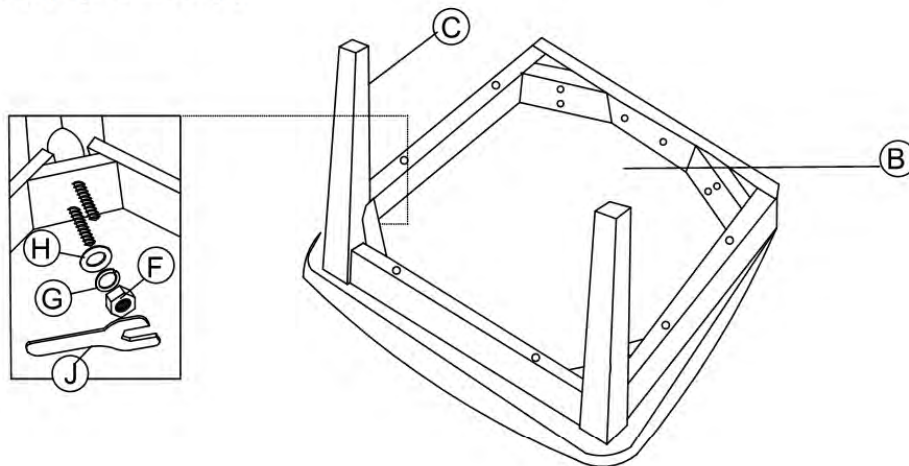
A CHAIR BACK  1 pc	B CUSHION SEAT  1 pc	C CHAIR LEG  2 pcs	D BOLT φ1/4"x75mm  4 pcs	E BOLT φ1/4"x38mm  2 pcs
F HEX NUT φ5/16"x12mm  4 pcs	G LOCK WASHER φ5/16"x12mm  10 pcs	H FLAT WASHER φ5/16"x13mm  10 pcs	I ALLEN KEY  1pc	J WRENCH  1 pc

This page lists all the contents included in the box. Please take the time to identify the hardware as well as the individual components to this product.

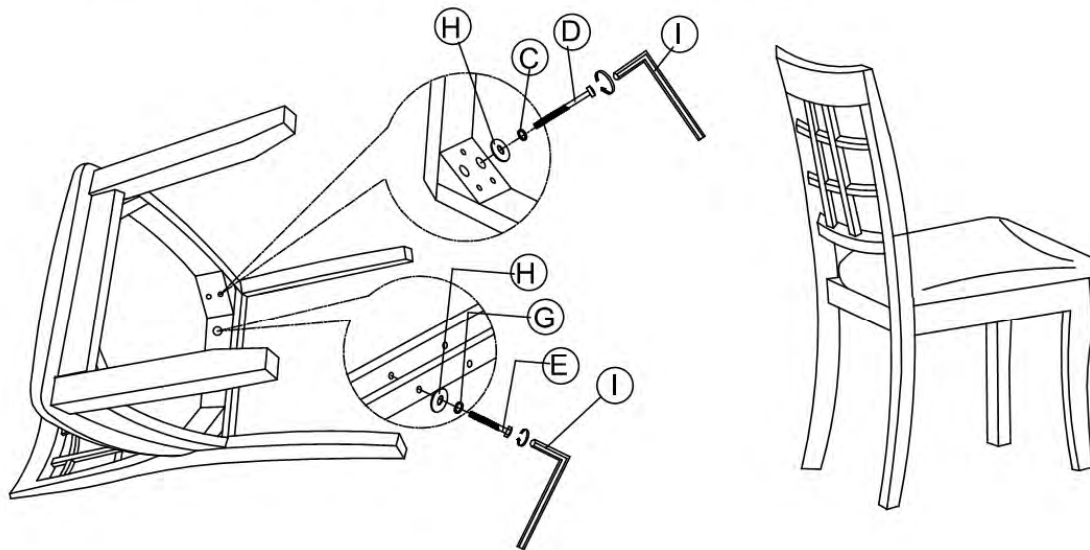
As you unpack and prepare for assembly, place the contents on a carpeted or padded area to protect them from damage.



- 1** Attach the Chair Leg (C) to Cushion Seat (B) using Flat Washer (H), Lock Washer (G) and Hex Nut (F) by Wrench (J).



- 2** Attach Cushion Seat (B) to Chair Back (A) assembly by securing the Flat Washer (H), Lock Washer (G) and Bolt (D) on corner. Flat Washer (H), Lock Washer (G) and Bolt (E) onto back rail. Hand tighten only at this moment by using Allen Key (I).



Cleaning & Care

Treat surface with care. Surface is resistant to scratches but is not scratch resistant.

Clean surface with a dry or damp soft cloth. Do not use abrasive cleaners. Hardware may loosen over time. Periodically check that all connections are tight.