


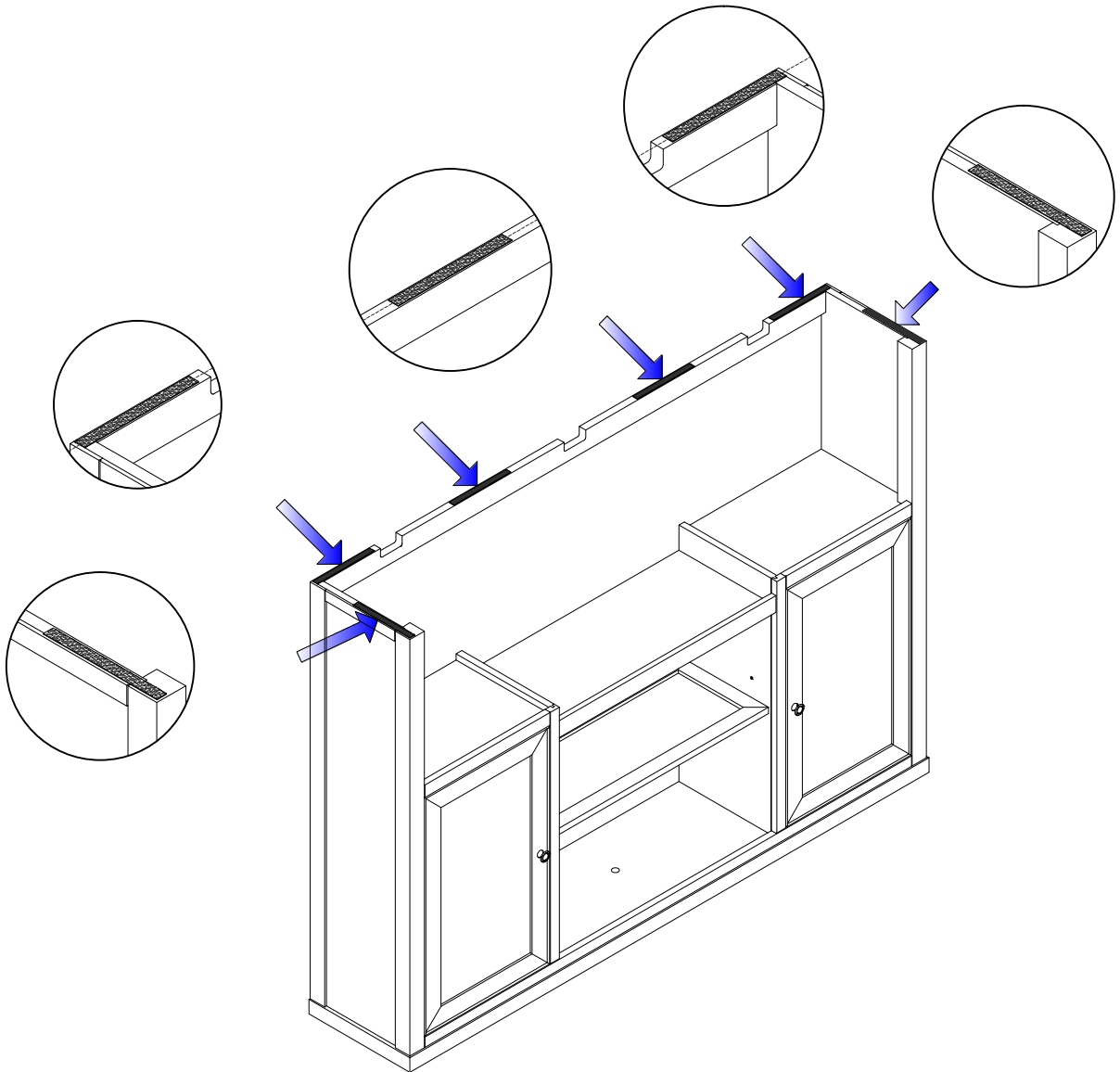
HEKMAN

A HOWARD MILLER COMPANY

ASSEMBLY INSTRUCTIONS

7-9322 DECK

NO.	Hardware List	Q'ty
A	 Felt Tape (17 * 200mm)	6



PEEL OF THE TAPE, PLACE ACCORDING TO THE PICTURE