

8 7 6 5 4 3 2 1

F

E

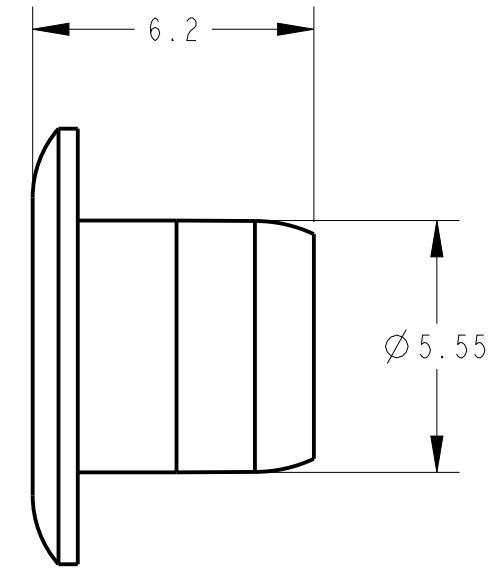
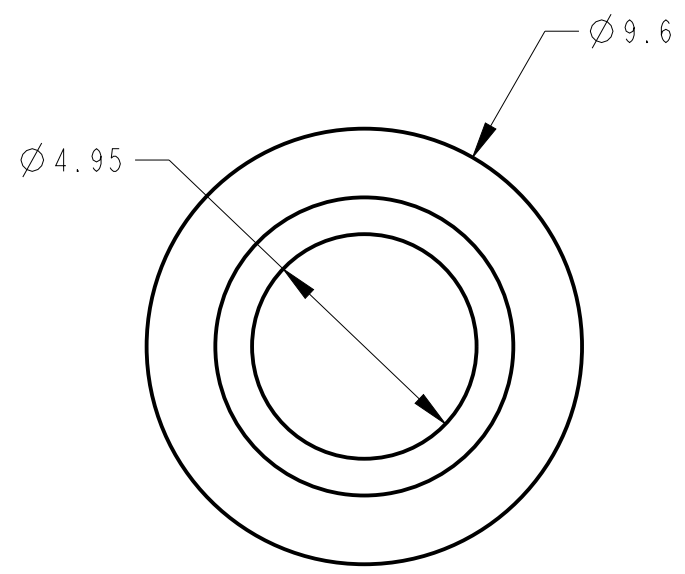
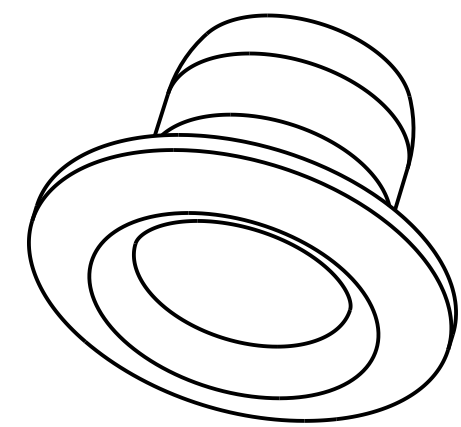
D

C

B

A

ITEM	FINISH
I283AB	ANTIQUÉ BRASS
I283BLK	BLACK
I283BN	BRIGHT NICKEL
I283PB	POLISHED BRASS



USE 5.5mm Ø DRILL



HARDWARE RESOURCES RESERVES THE RIGHT TO CHANGE SPECIFICATIONS WITHOUT NOTICE. IN CASE OF A DISCREPANCY, ACTUAL PART GEOMETRY SUPERSEDES THIS DOCUMENT.

THE INFORMATION CONTAINED WITHIN THIS DRAWING IS THE SOLE PROPERTY OF HARDWARE RESOURCES INC. ANY REPRODUCTION IN PART OR WHOLE WITHOUT WRITTEN PERMISSION OF HARDWARE RESOURCES INC. IS PROHIBITED.

DOCUMENT STATUS		<b>Released</b>	
UNLESS OTHERWISE SPECIFIED DIMENSIONS ARE IN MILLIMETERS (MM)			
MATERIAL	FINISH		
STEEL	SEE TABLE		
THIRD ANGLE PROJECTION		DATE	
		09DEC2022	

DESCRIPTION		
GROMMET, 5mm PIN DIAMETER		
DRAWING NUMBER		REV
1283		<b>A</b>
SIZE	SCALE	SHEET
A3	6.000	1 / 1

8 7 6 5 4 3 2 1