

ECL3

Self Diagnostic LED Combo Exit Sign & Emergency Light

Product Description

The NICOR ECL3 Series provides self diagnostic testing and reporting in an Exit/Emergency combo. This UL924 code compliant solution for exit and emergency requirements offers high output and adjustable LED heads to deliver direct illumination for path of egress. The evenly illuminated exit sign is available with red or green stencils. The ECL3 Series offers flexible installation for surface ceiling or wall mount options along with field removable chevrons for universal configuration based on your application's directional needs. Supplied with two faces for single or double face installation.

Construction

- Injection molded thermoplastic ABS housing
- UL-94 5VA Flame rating
- Test switch and charge/status indicator
- Adjustable heads for aiming light where required:
 - Vertical head tilt: 330°
 - Horizontal head rotation: 200°

Optical System

- Uniform lighting with specially designed plastic diffuser to prevent shadowing

Electrical

- Operating temperature rating of 50°F to 104°F (10°C to 40°C)
- Remote version supports up to two (2) 3.6VDC NICOR remote lamps (see compatibility chart)
- 90 minute capacity (including remote lamps)
- Fully-illuminated 6" letter height with 3/4" stroke
- Self Diagnostic feature automatically tests and reports on fixture status

LED

- Light engine provides consistently bright and even EXIT legend illumination with red or green LEDs

Finish

- White textured thermoplastic housing
- Available with either red or green lettering

Installation

- Surface, ceiling or wall mount installation options
- Snap-in mounting bracket
- Universal mounting plate with EZ quick connect
- Universal knockout pattern provided on housing for surface mount install
- Field-installable, removable chevron directional indicators for all configurations
- Supplied with two faces for single or double face installation

Compliance

- UL 924
- Meets NFPA 70 and 101 requirements
- Listed for damp locations

Warranty

- 1-year limited system warranty standard
- Warranty does not cover product failure due to an overvoltage event (power surge)

Photometric Data

ECL3SD NonRemote

Input Voltage (VAC)	120/277
System Level Power (W)	3.3
Delivered Lumens (Lm)	203
System Efficacy (Lm/W)	61.5
Correlated Color Temp (K)	6000
Color Rendering Index (CRI)	70

Compatible NICOR Remote Lamps*

- ERH3SD
- ERH4SD
- ERH3WPSD
- ERH4WPSD

*Not a complete list. Check compatibility before installation.

Ordering Information

Example: ECL310UNVWHR2SD

Series	Version	Voltage	Housing Color	Letter Color	Number of Faces	Remote Capable	Self Diagnostic
ECL3	10 (Version 1)	UNV (120/277VAC)	WH (White)	G (Green)	2 (Single and Double)	_ (Non-remote)	SD
				R (Red)		R (Remote capable)	

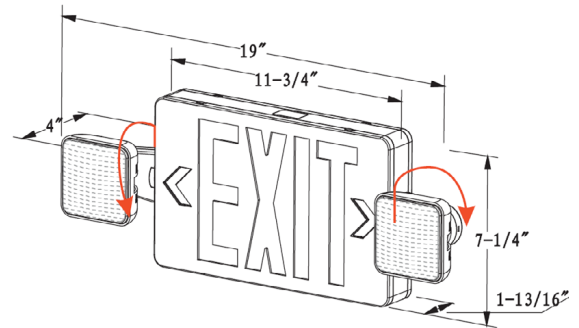
Specifications and dimensions subject to change without notice

Project

Catalog

Type

Date



ECL3SD

200 lumen

LED Self Diagnostic Exit/Emergency Unit

