



bestchoiceproducts

NOTICE

- Firmly secure all screws before use.
- Product is intended for outdoor use.
- If any parts are missing, broken, damaged, or worn, stop using this item until repairs are made and/or factory replacement parts are installed.
- Do not use this item in a way inconsistent with manufacturer's instructions as this could void the product warranty.

CAUTION DURING USE

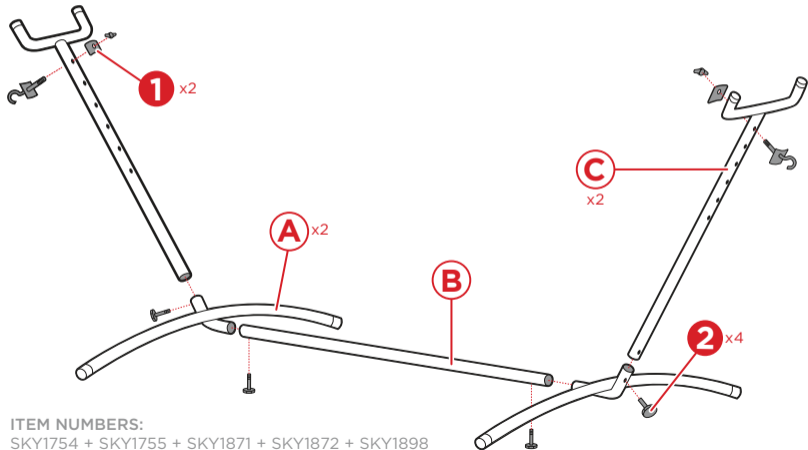
- Place the hammock stand on flat ground for proper balance.
- Do not leave children unattended while on the hammock.
- The hammock should not be used as a swing.
- Always enter the hammock from the middle.
- Do not sit past the base legs of the hammock stand.
- Regularly check to ensure the hook and wingnuts are tight.
- Regularly inspect the hammock and frame for deterioration or damage. Do not use if worn or damaged.

bestchoiceproducts.com

DOUBLE HAMMOCK STAND

HARDWARE: **1** Hook, wingnut, washer set (2) **2** Knob screw (4)

PARTS: **A** Base (2) **B** Crossbar **C** Hammock frame bar (2)
D Carrying bag **E** Hammock



ITEM NUMBERS:

SKY1754 + SKY1755 + SKY1871 + SKY1872 + SKY1898