

Job Name:

Engineer/Architect:

Job Location:

Wholesaler:

Submittal Date:

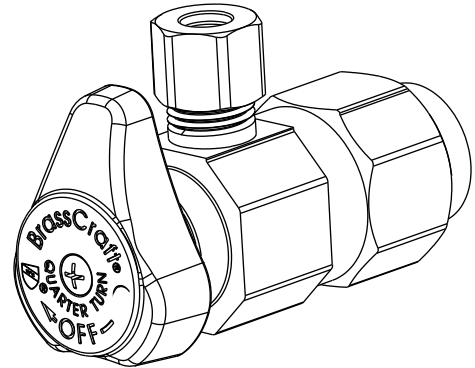
Contractor:

G2PS09X/19X 1/4 Turn Push Connect Angle Stop – Compression Outlet

Use: For use in potable water distribution systems in accessible locations only. Not intended for recirculation systems/continuous use temperatures above 115°F. For those applications, use our KT™ series ball stop.

Design Features:

- **One-piece, shut-off mechanism** provides smooth on-off operation.
- **Compatible with PEX, copper and CPVC.**
- **Pre-assembled tube insert** is “installation ready” for a faster connection.
- **Fast, reliable and secure connection.**
- **Positive 1/4 turn shut-off.**
- **Easy-to-remove handle** helps protect against accidental operation during rough-ins.
- **Available in push connect x compression and push connect x push connect configurations.**
- **Compact machined one-piece body design.**
- **100% leak tested.**
- **No-lead brass material** meets compliance for safe drinking.



Operating Specifications:

Temperature: 40° - 160°F

Pressure: 125 PSI maximum

STOP MATERIAL SPECIFICATIONS	
Body	<i>Brass, plated</i>
Stem Barrel	<i>TPE</i>
Stem Shaft	<i>Glass-filled polypropylene</i>
Stem O-ring	<i>Rubber</i>
Handle	<i>ABS, plated or zinc die cast, plated</i>
Handle Screw	<i>Steel, zinc plated</i>
Compression Nut	<i>Brass, plated</i>
Compression Sleeve	<i>Brass</i>
Gripper Ring	<i>Stainless steel</i>
Tube Stiffener	<i>POM</i>
Removal Collet	<i>Glass-filled nylon</i>
Push connect O-ring	<i>Rubber</i>

This specification and all information contained herein is the confidential and exclusive property of BrassCraft Manufacturing Company and shall not be disclosed to others without the written consent of BrassCraft. This specification must be returned to BrassCraft if requested.

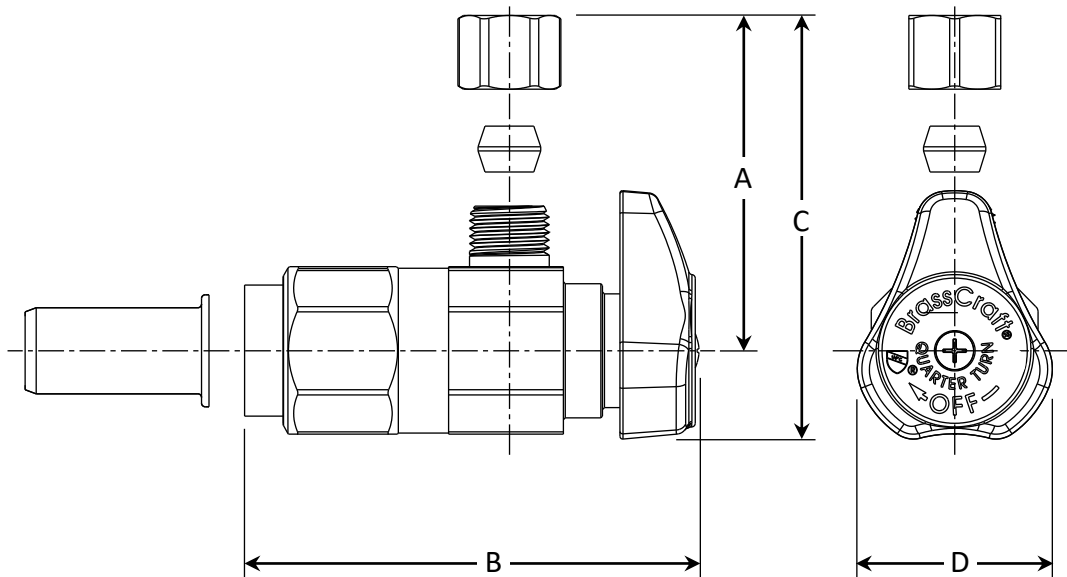
**Products shown may differ from those available in the Canadian market.*

G2PS09X/19X 1/4 Turn Push Connect Angle Stop – Compression Outlet

Part Listing:

- G2PS09X C 1/2" Nom Push Connect x 1/4" OD Compression, Chrome Plated
- G2PS09X CM 1/2" Nom Push Connect x 1/4" OD Compression, Chrome Plated, Contractor Pack
- G2PS19X C 1/2" Nom Push Connect x 3/8" OD Compression, Chrome Plated
- G2PS19X C1 1/2" Nom Push Connect x 3/8" OD Compression, Chrome Plated, Window Tray
- G2PS19X CD 1/2" Nom Push Connect x 3/8" OD Compression, Chrome Plated, Carded
- G2PS19X CM 1/2" Nom Push Connect x 3/8" OD Compression, Chrome Plated, Contractor Pack
- G2PS19L1X CB 1/2" Nom Push Connect x 3/8" OD Compression, Less Nut, Chrome Plated, Bulk
- G2PS19TX CB 1/2" Nom Push Connect x 3/8" Od Compression, Stuffing Box, Chrome Plated, Bulk

PART DIMENSIONS (Inches)				
Model	DIM. A	DIM. B	DIM. C	DIM. D
G2PS09X	1.06	2.46	1.56	1.07
G2PS19X	1.06	2.46	1.56	1.07



Listings & Certifications:

- IAPMO listed to ASME A112.18.1 / CSA B125.1 (includes NSF/ANSI 372 and NSF/ANSI/CAN 61)



This specification and all information contained herein is the confidential and exclusive property of BrassCraft Manufacturing Company and shall not be disclosed to others without the written consent of BrassCraft. This specification must be returned to BrassCraft if requested.

**Products shown may differ from those available in the Canadian market.*