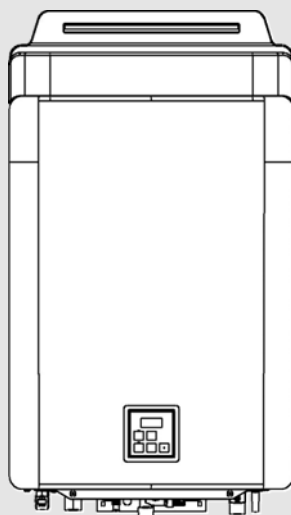


See Next Page for Model Numbers

Voir page suivante pour les numéros de modèles



ANSI Z21.10.3 • CSA 4.3

For the Conversion from Indoor Models to Outdoor Installations

Pour la conversion de modèles à installation en intérieur pour l'installation en extérieur

Tankless Water Heater / Chauffe-eau instantané

Outdoor Conversion Manual / Manuel de conversion extérieur

Rinnai®

U362-0909(00)



060 00012 396027

WARNING

If the information in these instructions is not followed exactly, a fire or explosion may result causing property damage, personal injury, or death.

- It is recommended that a trained and qualified professional who has attended a Rinnai training class complete your installation. The warranty may be voided due to any improper installation.
- Read all instructions in this manual and the "Tankless Water Heater Installation and Operation Manual" before installing and converting the water heater; the water heater must be installed according to the exact instructions in these manuals.
- Proper installation is the responsibility of the installer.
- When installation is complete, leave this manual with the water heater or give the manual directly to the consumer.

AVERTISSEMENT

Assurez-vous de bien suivre les instructions données dans cette notice pour réduire au minimum le risque d'incendie ou d'explosion ou pour éviter tout dommage matériel, toute blessure ou la mort.

- Il est fortement recommandé de faire appel à un professionnel formé, qualifié et ayant suivi une formation d'installation Rinnai, pour régler les paramètres de l'appareil. En cas d'installation inappropriée, la garantie sera considérée comme étant nulle.
- Avant de procéder à l'installation et à la conversion chauffe-eau, veuillez lire toutes les instructions présentes dans ce manuel ainsi que dans le document « Manuel d'installation et d'utilisation du chauffe-eau instantané ». Le chauffe-eau doit être installé en suivant à la lettre toutes les instructions contenues dans ces manuels.
- L'installateur est responsable de la bonne installation de l'équipement.
- Une fois l'installation terminée, conserver ce manuel à proximité du chauffe-eau ou le remettre directement au client.

Models / Modèles

This manual applies to the following tankless water heater models:

Ce manuel s'applique aux modèles de chauffe-eau instantané suivants:

| Residential Models Modèles résidentiels | |
|--|--------------------|
| RX199i | (REU-NB3237FF-US) |
| RX180i | (REU-NB2934FF-US) |
| RX160i | (REU-NB2530FF-US) |
| RX130i | (REU-NB2024FF-US) |
| RXP199i | (REU-NBP3237FF-US) |
| RXP160i | (REU-NBP2530FF-US) |

Residential models are certified for installation in mobile homes.
Les modèles résidentiels sont certifiés pour l'installation dans les maisons mobiles.

| Commercial Models Modèles commerciaux | |
|--|---------------------|
| CX199i | (REU-NB3237FFC-US) |
| CX160i | (REU-NB2530FFC-US) |
| CXP199i | (REU-NBP3237FFC-US) |
| CXP160i | (REU-NBP2530FFC-US) |

Commercial models are not certified for installation in mobile homes.
Les modèles commerciaux ne sont pas certifiés pour l'installation dans les maisons mobiles.

Contents

| | |
|---|-----------|
| 1. Safety | 3 |
| 1.1 Safety Symbols | 3 |
| 2. Overview | 4 |
| 2.1 About the Water Heater | 4 |
| 2.2 What You Will Need | 4 |
| 3. Choose Outdoor Location | 5 |
| 3.1 Location Guidelines..... | 5 |
| 3.2 Dimensions | 5 |
| 3.3 Clearances | 6 |
| 4. Connect Power Supply | 8 |
| 5. Install Outdoor Vent Cap | 9 |
| 6. Adjust Parameter Settings | 11 |
| 7. Final Steps | 14 |

Table des matières

| | |
|---|-----------|
| 1. Sécurité | 3 |
| 1.1 Symboles de sécurité..... | 3 |
| 2. Présentation | 15 |
| 2.1 À propos du chauffe-eau | 15 |
| 2.2 Éléments nécessaires | 15 |
| 3. Choisir un emplacement extérieur | 16 |
| 3.1 Directives pour l'emplacement | 16 |
| 3.2 Dimensions | 16 |
| 3.3 Dégagements | 17 |
| 4. Raccorder l'alimentation électrique | 19 |
| 5. Installation du chapeau de ventilation extérieure | 20 |
| 6. Réglages des paramètres | 22 |
| 7. Dernières étapes | 25 |

1. Safety / Sécurité

For installations in Canada, the conversion shall be carried out in accordance with the requirements of the provincial authorities having jurisdiction and in accordance with the requirements of the CSA-B149.1, Natural Gas and Propane Installation Code.

Si l'appareil est installé au Canada, la conversion doit être effectuée conformément aux exigences des autorités provinciales compétentes et conformément aux exigences de la norme CSA-B149.1, Code d'installation du gaz naturel et du propane.

The appliance must be installed in accordance with:

L'appareil doit être installé conformément aux normes et réglementations suivantes:

- Local codes or, in the absence of local codes, the National Fuel Gas Code, ANSI Z223.1/ NFPA 54 and/or CSA B149.1, Natural Gas and Propane Installation Code.

La réglementation locale ou, en son absence, au National Fuel Gas Code, ANSI Z223.1/ NFPA 54, et/ou au code d'installation du gaz naturel et du propane CSA B149.1.

- The Manufactured Home Construction and Safety Standard, Title 24 CFR, Part 3280 or CSA Z240 MH Series, Manufactured Homes.

La norme Manufactured Home Construction and Safety Standard, Title 24 CFR, Part 3280 ou la norme CSA Z240 série MH, maisons préfabriquées.

1.1 Safety Symbols / Symboles de sécurité



Safety alert symbol. Alerts you to potential hazards that can kill or hurt you and others.

Symbole d'alerte. Il vous avertit de risques possibles de mort ou de blessures, pour vous et d'autres personnes.



DANGER

Indicates an imminently hazardous situation which, if not avoided, will result in personal injury or death.

Indique un danger imminent qui, s'il n'est pas évité, entraînera la mort ou des blessures graves.



WARNING



AVERTISSEMENT

Indicates a potentially hazardous situation which, if not avoided, could result in personal injury or death.

Indique un danger possible qui, s'il n'est pas évité, pourrait entraîner la mort ou des blessures graves.



CAUTION



MISE EN GARDE

Indicates a potentially hazardous situation which, if not avoided, could result in minor or moderate injury. It may also be used to alert against unsafe practices.

Indique un risque possible qui, s'il n'est pas évité, pourrait entraîner des blessures légères ou moyennes. Il peut aussi avertir d'user de prudence.

➔ IMPORTANT

The French manual continues on page 15. (*Le manuel en français continue à la page 15.*)

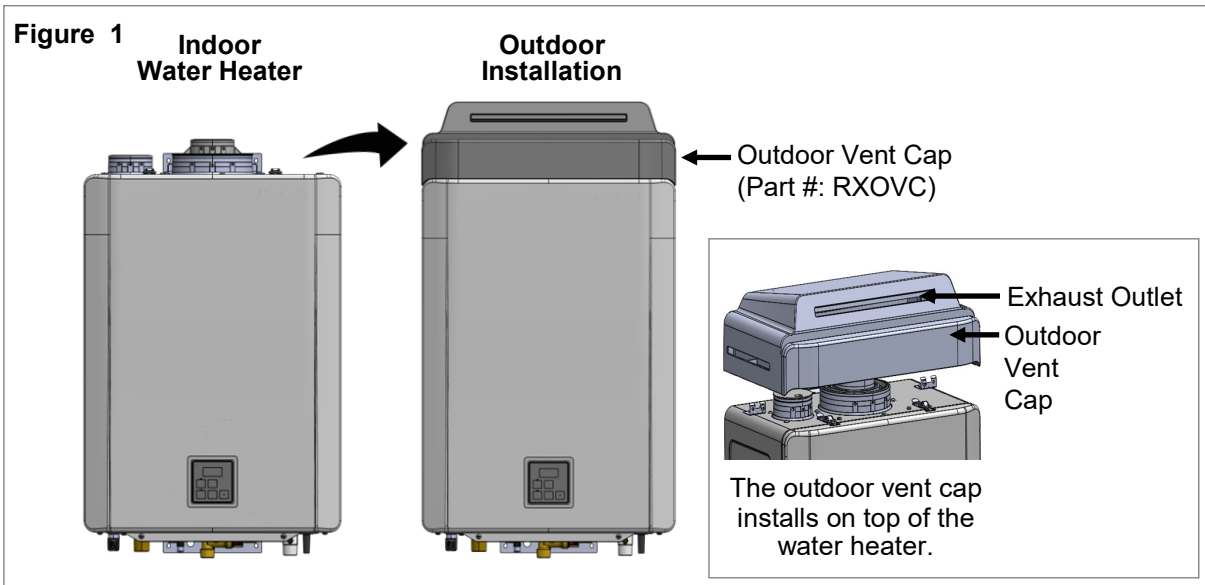
2. Overview

➔ IMPORTANT

This manual provides instructions on converting the Rinnai indoor tankless water heater (applicable models¹) to an outdoor installation. For detailed information on the water heater, such as specifications, installation instructions, and operating information, refer to the “Tankless Water Heater Installation and Operation Manual” supplied with the unit, or located online at www.rinnai.us.

2.1 About the Water Heater

The indoor tankless water heater (applicable models¹) can convert to an outdoor installation with the Rinnai outdoor vent cap (Figure 1).



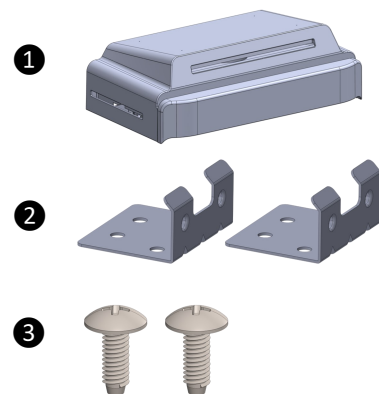
2.2 What You Will Need

Items Included:

Unpack the Rinnai Outdoor Conversion Kit and verify the following contents are included.

If any items are missing from your kit, contact your local dealer/distributor or call Rinnai Customer Care at 1-800-621-9419.

| Item # | Item | Qty |
|--------|---|-----|
| ① | Outdoor Vent Cap | 1 |
| ② | Mounting Brackets | 2 |
| ③ | Screws | 2 |
| ④ | Outdoor Conversion Manual (this manual) (image not shown) | 1 |



Items Needed (Field-Supplied):

- Phillips Head Screwdriver
- Smart Device (such as a smartphone)

¹ Applicable models listed on page 2 in this manual.

3. Choose Outdoor Location

3.1 Location Guidelines

When selecting an installation location, you must ensure that all water heater guidelines and clearances will be met. Consider the installation environment, water quality, and the need for freeze protection. Refer to the installation sections in the “Tankless Water Heater Installation and Operation Manual” for gas line, water lines, electrical and condensate disposal requirements.



IMPORTANT

When an exhaust outlet is blocked by snow or other objects, the water heater may run at a limited capacity, or can be shut down with an error code. Remove snow or other objects around the exhaust outlet. External hot and cold water pipes and valves should be insulated to prevent freezing. To protect pipes and valves from severe cold conditions, additional protection should be used.

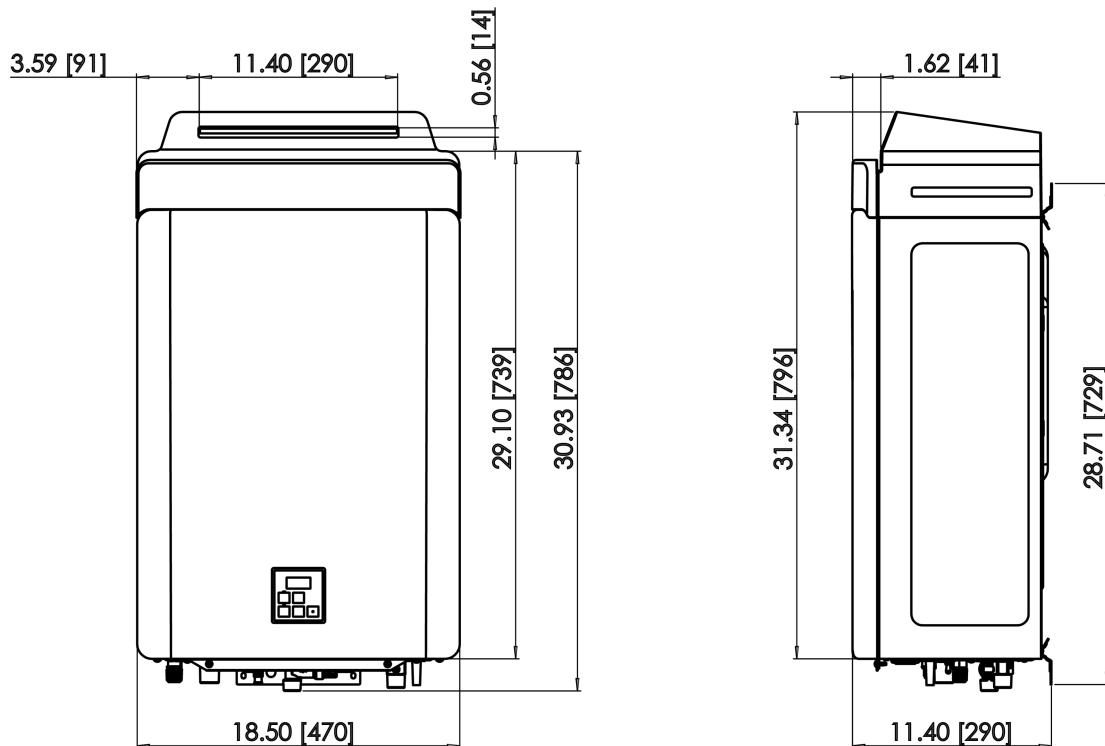
Use the following guidelines to ensure you have selected the correct location for the water heater:

- The water heater is not exposed to ambient temperatures lower than -4°F (-20°C) with direct wind exposure.
- The water heater is not exposed to corrosive compounds in the air.
- The water heater location complies with the required clearances.
- The planned combustion air intake and exhaust outlet locations meet the required clearances.
- The water supply does not contain chemicals or exceed total hardness that will damage the heat exchanger.
- A standard 3-prong 120 VAC, 60 Hz properly grounded and weather-resistant power outlet is available.
- The installation must conform with local codes or, in the absence of local codes, with the National Fuel Gas Code, ANSI Z223.1/NFPA 54, and/or CSA B149.1, Natural Gas and Propane Installation Code.

3.2 Dimensions

Figure 2

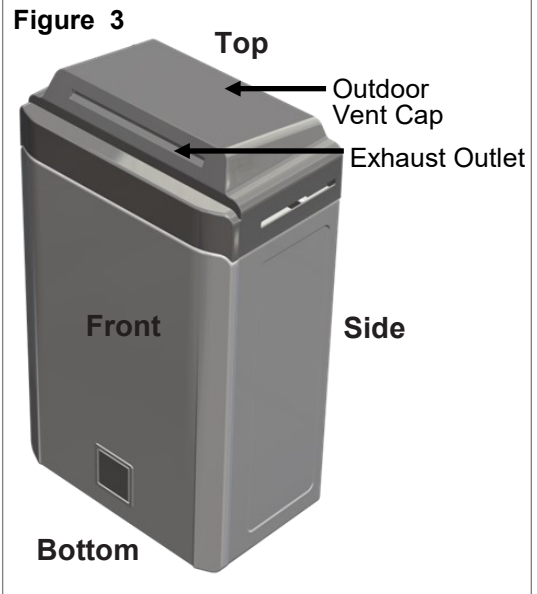
Water Heater with Outdoor Vent Cap



3.3 Clearances

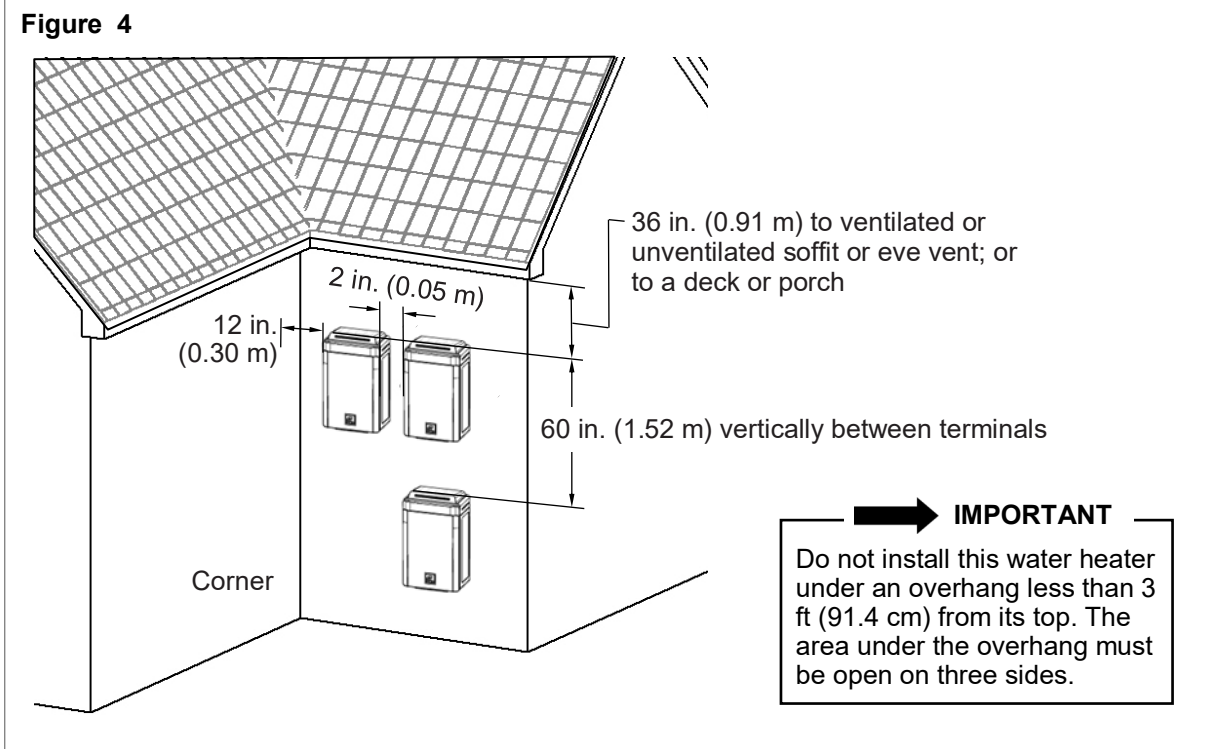
Clearances for Outdoor Installations

| Location | Clearances to Combustibles and Non-combustibles |
|------------------------|---|
| Top | 2 in. (51 mm) |
| Bottom/Ground | 12 in. (305 mm) |
| Front | 0 in. Clearance for servicing is 24 in. (610 mm) in front of water heater. Do not block the exhaust outlet opening. |
| Back | 0 in. |
| Sides (Left and Right) | 2 in. (51 mm) |
| Front Exhaust | 24 in. (610 mm) |



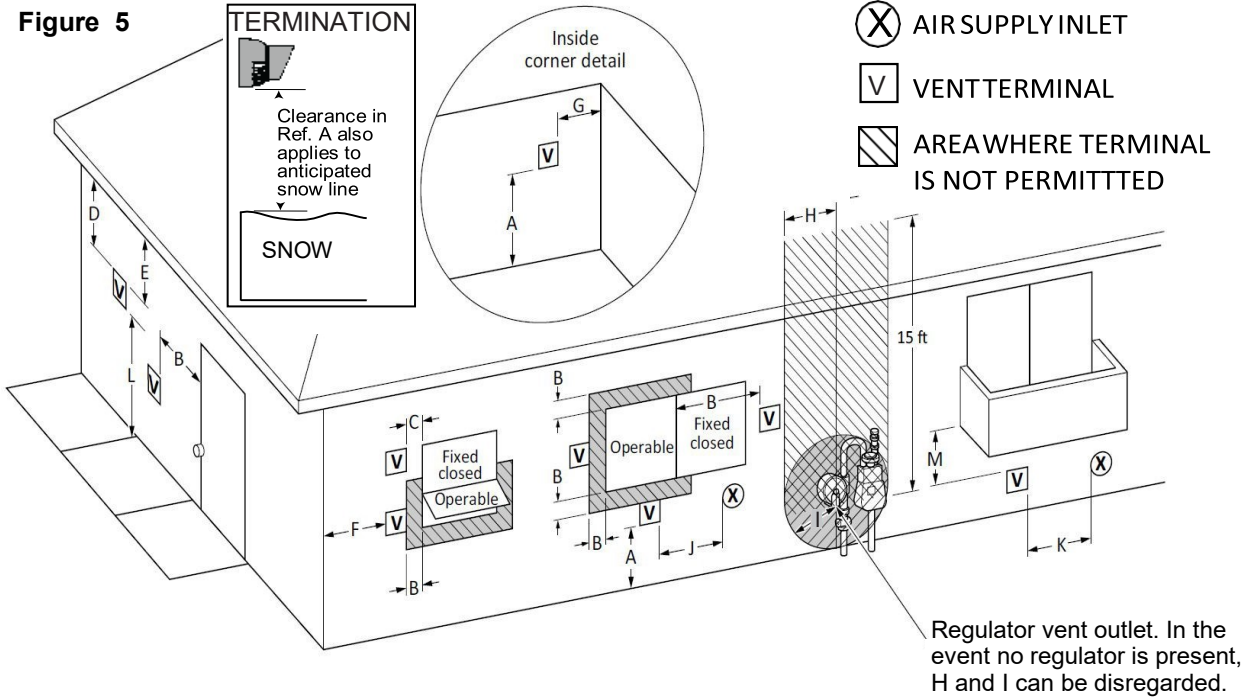
IMPORTANT
The outdoor vent cap (part #: RXOVC) cannot be used in combination with a recess box.

Clearances for Multiple Outdoor Water Heaters



IMPORTANT
Refer to the "Tankless Water Heater Installation and Operation Manual" for additional clearances.

Non-Direct Vent Clearances (Room Air and Outdoor Installations)



| Ref | Description | Canadian Installations ¹ (CSA B149.1) | U.S. Installations ² (ANSI Z223.1/NFPA 54) |
|-----|---|--|--|
| | | Other than direct vent (Outdoor unit and/or Room Air) | Other than direct vent (Outdoor unit and/or Room Air) |
| A | Clearance above grade, veranda, porch, deck, or balcony | 12 in. (30 cm) | 12 in. (30 cm) |
| B | Clearance to window or door that may be opened | 36 in. (91 cm) | 4 ft (1.2 m) below or to side of opening; 1 ft (300 mm) above opening |
| C | Clearance to permanently closed window | * | * |
| D | Vertical clearance to ventilated soffit, located above the terminal within a horizontal distance of 2 ft (61 cm) from the center line of the terminal | * | * |
| E | Clearance to unventilated soffit | * | * |
| F | Clearance to outside corner | * | * |
| G | Clearance to inside corner | * | 12 in. (30 cm) |
| H | Clearance to each side of center line extended above meter/regulator assembly | 3 ft. (91 cm) within a height 15 ft. (4.6 m) | * |
| I | Clearance to service regulator vent outlet | 3 ft. (91 cm) | * |
| J | Clearance to nonmechanical air supply inlet to building or the combustion air inlet to any other appliance | 36 in. (91 cm) | 4 ft (1.2 m) below or to side of opening; 1 ft (300 mm) above opening |
| K | Clearance to a mechanical air supply inlet | 6 ft (1.83 m) | 3 ft (91 cm) above if within 10 ft (3 m) horizontally |
| L | Clearance above paved sidewalk or paved driveway located on public property | 7 ft (2.13 m) [1] | Vents for Category II and IV appliances cannot be located above public walkways or other areas where condensate or vapor can cause a nuisance or hazard. |
| M | Clearance under veranda, porch, deck, or balcony | 12 in. (30 cm) [2] | * |

¹ In accordance with the current CSA B149.1, Natural Gas and Propane Installation Code.

² In accordance with the current ANSI Z223.1/NFPA 54, National Fuel Gas Code.

If locally adopted installation codes specify clearances different than those illustrated, then the most stringent clearance shall prevail.

| | |
|--|---|
| Clearance to opposite wall is 24 in (60 cm). | |
| [1] A vent shall not terminate directly above a sidewalk or paved driveway that is located between two single family dwellings and serves both dwellings. [2] Permitted only if veranda, porch, deck, or balcony is fully open on a minimum of two sides beneath the floor. | *Clearances are in accordance with local installation codes and the requirements of the gas supplier. (<i>Dégagement conforme aux codes d'installation locaux et aux exigences du fournisseur de gaz.</i>) |

4. Connect Power Supply



WARNING

- Do not use an extension cord or adapter plug with this water heater.
- The water heater must be electrically grounded in accordance with local codes and ordinances or, in the absence of local codes, in accordance with the National Electrical Code, ANSI/NFPA No. 70.
- This water heater is equipped with a three-prong (grounding) plug for your protection against shock hazard and should be plugged directly into a properly grounded three-prong receptacle. Do not cut or remove the grounding terminal from this plug.

When connecting the power supply, follow these guidelines:

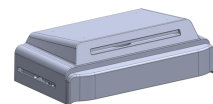
- Do not rely on the gas or water piping to ground the water heater. Ground locations are provided inside the water heater.
- The water heater requires 120 VAC, 60 Hz power from a properly grounded circuit.
- If using the 6.5 ft (2.0 m) power cord supplied with the water heater, plug the power cord into a standard 3 prong 120 VAC, 60 Hz properly grounded wall outlet. The supplied power cord is outdoor rated and can be used for outdoor installations.
- A disconnect switch may be required and installed for the incoming 120 VAC power for outdoor installation. The switch should be a type that is suitable for outdoor use. Check the National Electrical Code, ANSI/NFPA 70 and your local codes for a proper switch type to use in your area. Power connections must be protected from the weather.

5. Install Outdoor Vent Cap

⚠ WARNING

The outdoor vent cap is used for outdoor installations only.

- DO NOT install internal (indoor) water heaters outdoors without the Rinnai outdoor vent cap.
- DO NOT install internal (indoor) water heaters indoors with the Rinnai outdoor vent cap.
- DO NOT install in a recess box.

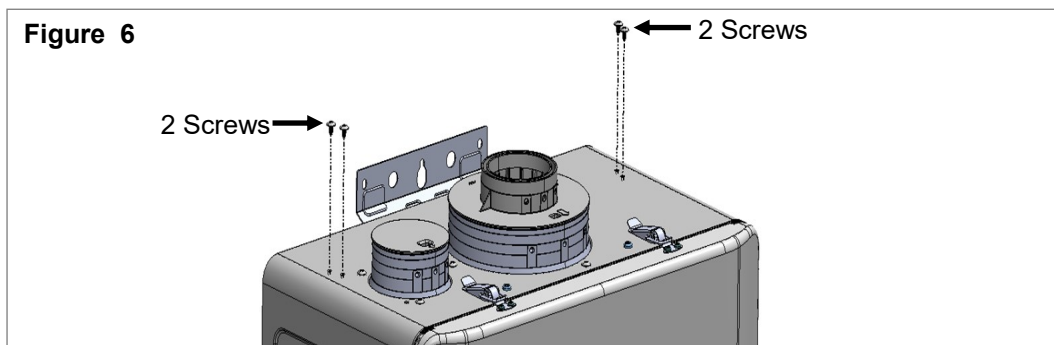


Outdoor Vent Cap

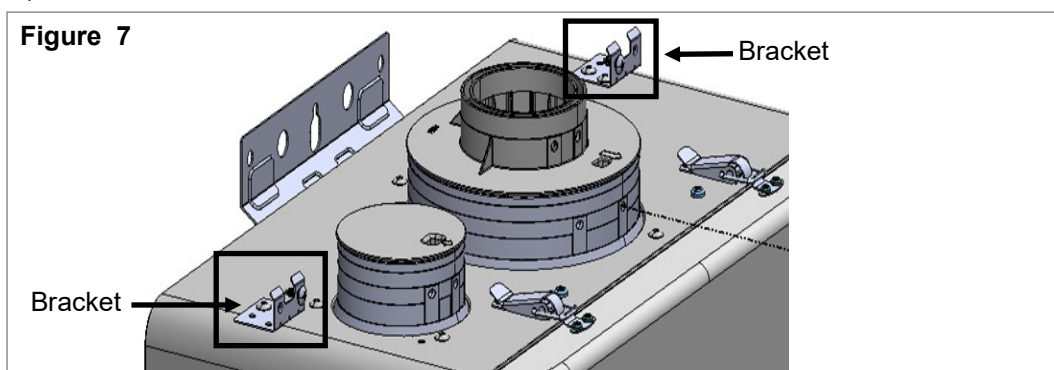
➡ IMPORTANT

- The water heater must be mounted to the wall before the outdoor vent cap is installed. If the outdoor vent cap is installed on the water heater first, you are not able to secure the water heater on a wall by installing screws into the upper mounting bracket.
- Refer to the section “Install the Water Heater” in the “Tankless Water Heater Installation and Operation Manual” for more information on mounting the water heater to the wall, connecting the water, gas and power supply, and other installation guidelines.

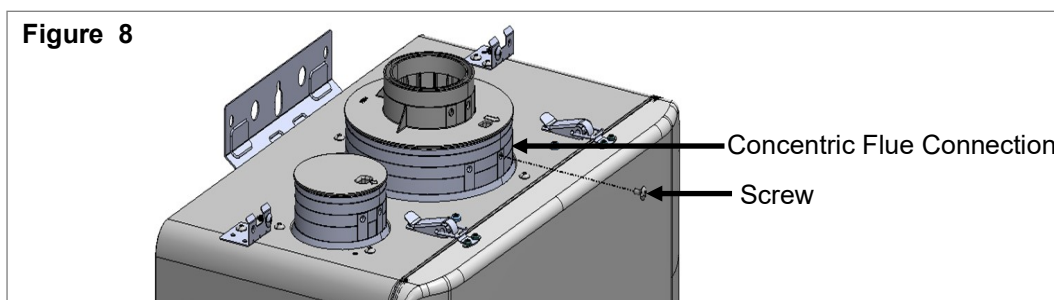
1. Remove four screws on top of water heater (Figure 6).



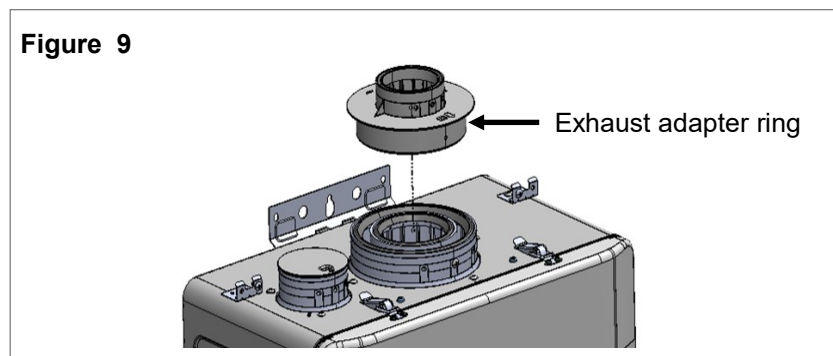
2. Attach two supplied mounting brackets (left and right side) using four screws removed at step #1 (Figure 7).



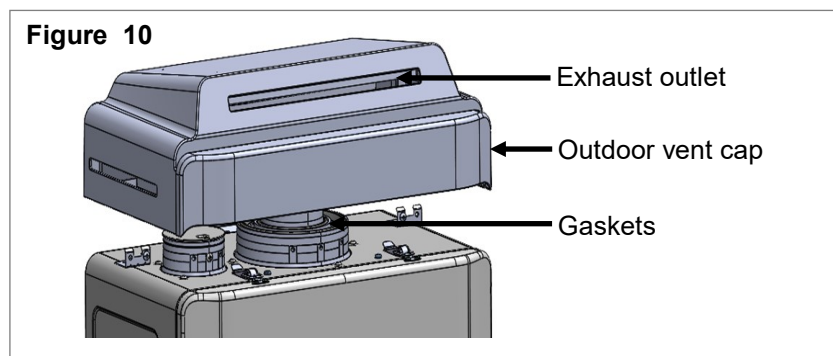
3. Remove and discard screw from concentric flue connection (Figure 8).



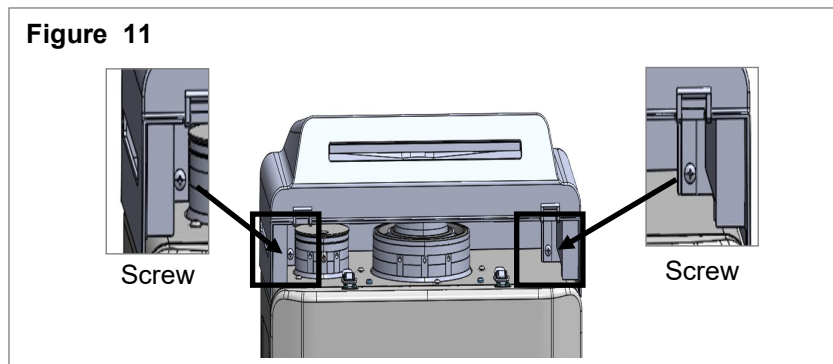
4. Remove and discard exhaust adapter ring (Figure 9).



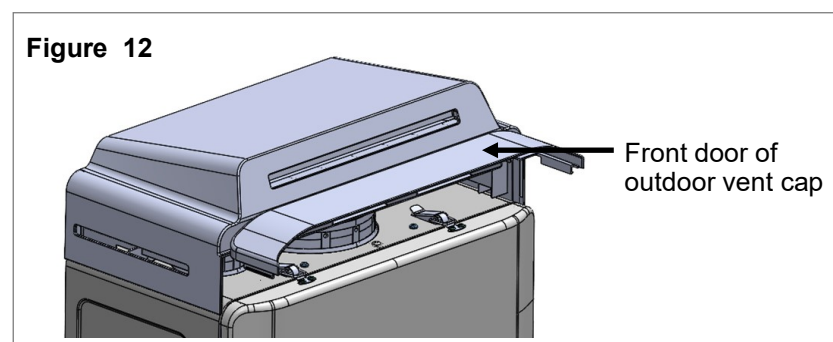
5. Inspect gaskets prior to installing outdoor vent cap as shown in Figure 10. Make sure exhaust outlet faces the front of the water heater and the outdoor vent cap is fully inserted.



6. Open front door of outdoor vent cap. Using a Phillips head screwdriver (field-supplied), secure outdoor vent cap to water heater with two screws supplied in kit (Figure 11).



7. Close front door of outdoor vent cap (Figure 12).



6. Adjust Parameter Settings

This tankless water heater is set up for natural gas and indoor installations as default. When power is connected for the first time, you need to choose the correct gas type and outdoor setting.

WARNING

If proper settings are not selected before you use the tankless water heater, it will cause a hazardous situation which results in personal injury or property damage.

IMPORTANT

- Confirm that the inlet gas pressure is between the minimum and maximum pressures allowed for this appliance.
- Refer to the “Tankless Water Heater Installation and Operation Manual” for additional parameter settings, such as recirculation settings, gas type, pump speed, etc. (the manual is supplied with the tankless unit or located online at www.rinnai.us).

Adjust the tankless water heater parameter settings by choosing one of the two options below:

- **Option 1 (Recommended):** Adjust parameter settings using a Bluetooth®-capable Smart Device
- **Option 2:** Adjust parameter settings from the tankless water heater integrated controller.

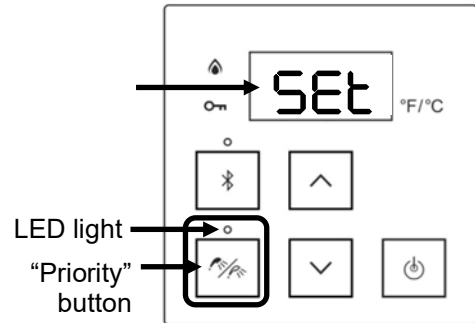
6.1 Option 1: Using a Bluetooth-Capable Smart Device

Note: To utilize BLE, your connecting device (smartphone, tablet, computer, etc.) must have Bluetooth 4.0 or a newer version. Contact your connecting device manufacturer if you are not sure if your connecting device has Bluetooth 4.0 or a newer version.

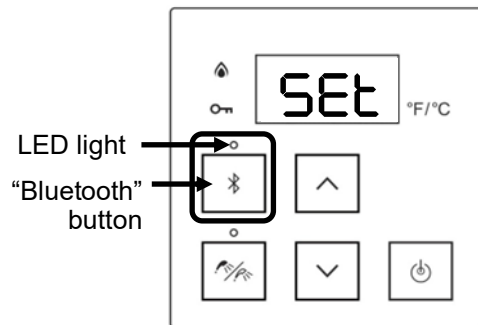
1. Download the Rinnai Central app by scanning the following QR code:



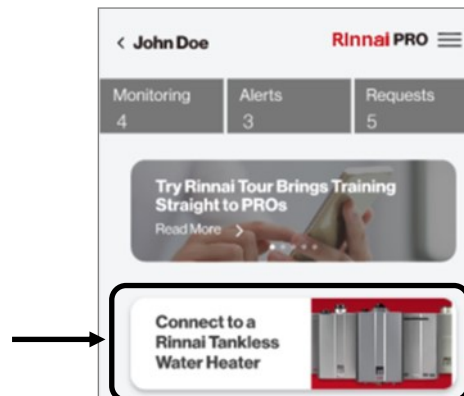
2. Supply power to the tankless water heater for the first time. The controller displays “SET” and the “Priority” button LED light on the controller is blinking.



3. Download and install the Rinnai Central™ app.
4. Open the Rinnai Central™ app from your smart device. Create an account and log in.
5. Push the Bluetooth button on the controller. The Bluetooth LED light turns solid.

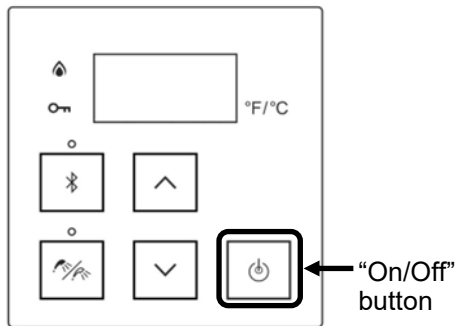


6. Tap “Connect to a Rinnai Tankless Water Heater” on the Rinnai Central™ app. You will hear a beeping sound when pairing between the app and water heater is established.



Sample Screen

7. Follow the steps in the Rinnai Central™ app to change your tankless water heater settings.
8. When settings are complete, the controller display will appear blank (the display will turn off).
9. Tankless water heater setup is complete. Press the “On/Off” button to turn on the tankless water heater.

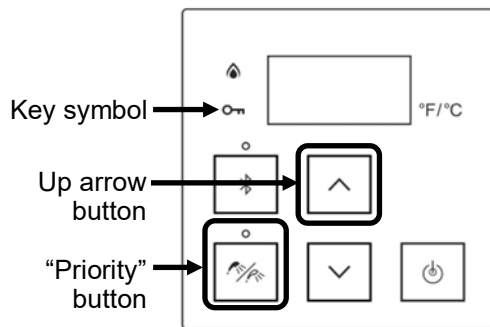


IMPORTANT

The controller is automatically locked after 30 minutes of inactivity. To unlock the controller:

1. Press and hold down the “Priority” button.
2. While holding down the “Priority” button, press the up arrow button until a beep is heard (approximately 5 seconds). Then, release both buttons at the same time.

Note: The key symbol on the controller will not illuminate, indicating the controller is unlocked.

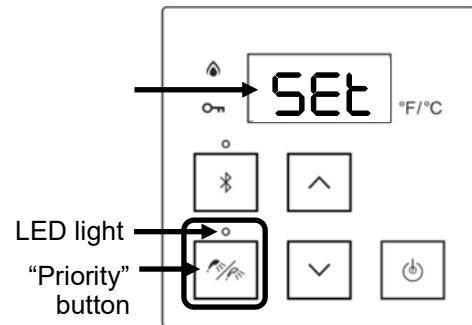


IMPORTANT

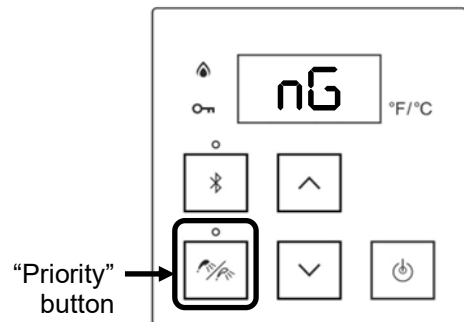
If the gas type is changed, you must power cycle the water heater (turn off electrical power to the water heater, then turn on power again). Power can be turned off by unplugging the power cord or turning off electricity at the circuit breaker. The controller does not control the electrical power to the water heater.

6.2 Option 2: Adjust Parameter Settings from Integrated Controller

1. Supply power to the tankless water heater for the first time. The controller displays “SET” and the “Priority” button LED light on the controller is blinking.

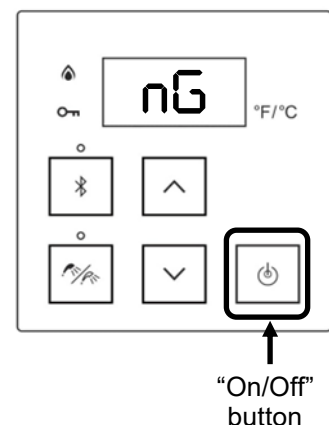


2. Press the “Priority” button. The controller displays “nG” (natural gas).

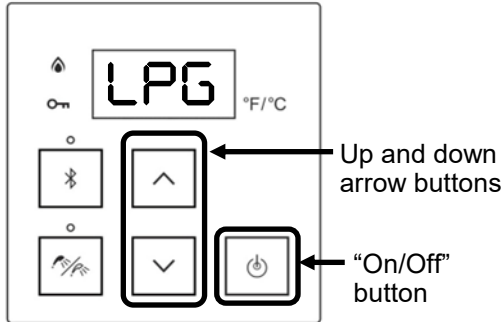


- 3(A). **If using natural gas:** Press the “On/Off” button to confirm natural gas. Then, proceed to step 4.

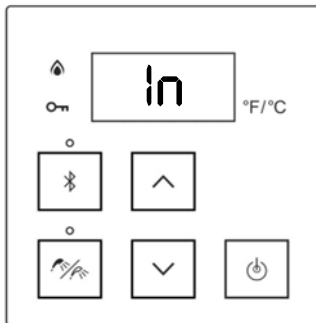
If using propane gas, skip this step and proceed to step 3(B).



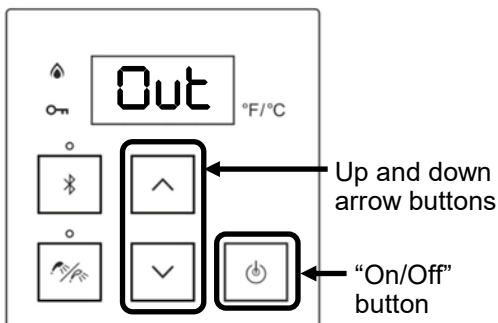
- 3(B). **If using propane gas:** Press the up or down arrow button. The controller displays “LPG” (Liquid Propane Gas). Press the “On/Off” button to confirm propane gas. Then, proceed to step 4.



4. The controller displays “In” (indoor installation).



5. Press the up or down arrow buttons. The controller displays “Out” (outdoor installation). Press the “On/Off” button to confirm “Out” (outdoor installation).



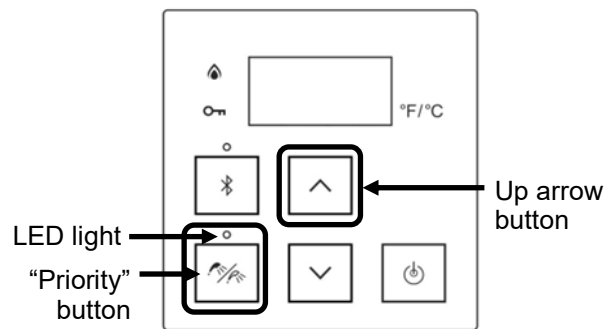
6. The controller displays “nG” or “LPG,” and “In” or “Out” alternatively while the “Priority” button LED light is flashing. The controller is showing the current gas setting and indoor/outdoor setting.

For example, the controller displays “nG” and “Out” alternatively, indicating the water heater is set for natural gas and outdoor installation.

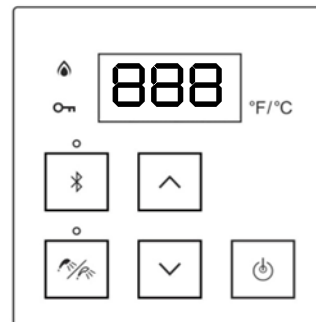
7. **If settings are correct:** Press the “Priority” button.

If settings are not correct:

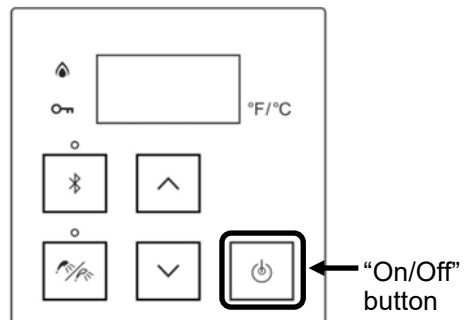
Press the up arrow button to return to step 1. Repeat the steps starting at step 1.



8. The controller briefly displays “888” and makes a beeping sound. Then, complete initial settings and the controller is off.



9. When settings are complete, the controller display will appear blank. Press the “On/Off” button to turn on the unit.

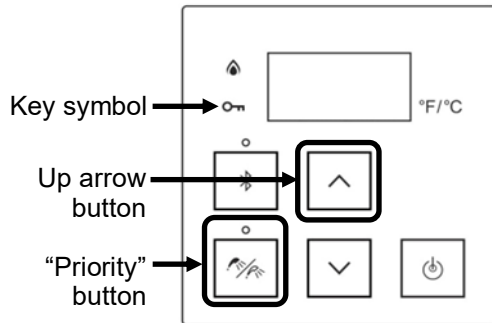


IMPORTANT

The controller is automatically locked after 30 minutes of inactivity. To unlock the controller:

1. Press and hold down the "Priority" button.
2. While holding down the "Priority" button, press the up arrow button until a beep is heard (approximately 5 seconds). Then, release both buttons at the same time.

Note: The key symbol on the controller will not illuminate, indicating the controller is unlocked.



IMPORTANT

If the gas type is changed, you must power cycle the water heater (turn off electrical power to the water heater, then turn on power again). Power can be turned off by unplugging the power cord or turning off electricity at the circuit breaker. The controller does not control the electrical power to the water heater.

7. Final Steps

- Complete the checklist in the "Post-Water Heater Installation Checklist" section of the "Tankless Water Heater Installation and Operation Manual" when installation is complete.
- For detailed information on installation and operation information, refer to the "Tankless Water Heater Installation and Operation Manual."
- If "LPG" (Liquid Propane Gas) is selected, apply the supplied gas conversion label at an open space above the existing label on the left side of the water heater.

Note: See the "Key Points For A Successful Installation" document (on tankless water heater front cover) for illustration of label location.

- The default altitude setting for this water heater is 0-2,000 ft. (0-610 m). If this water heater is installed at a different altitude, select the appropriate altitude setting. Also, set up other parameters properly. Refer to the section "Configure Parameter Settings" in the "Tankless Water Heater Installation and Operation Manual" for specific details on setting parameters.

➔ IMPORTANT

The French manual continues below. (*Le manuel français se poursuit ci-après.*)

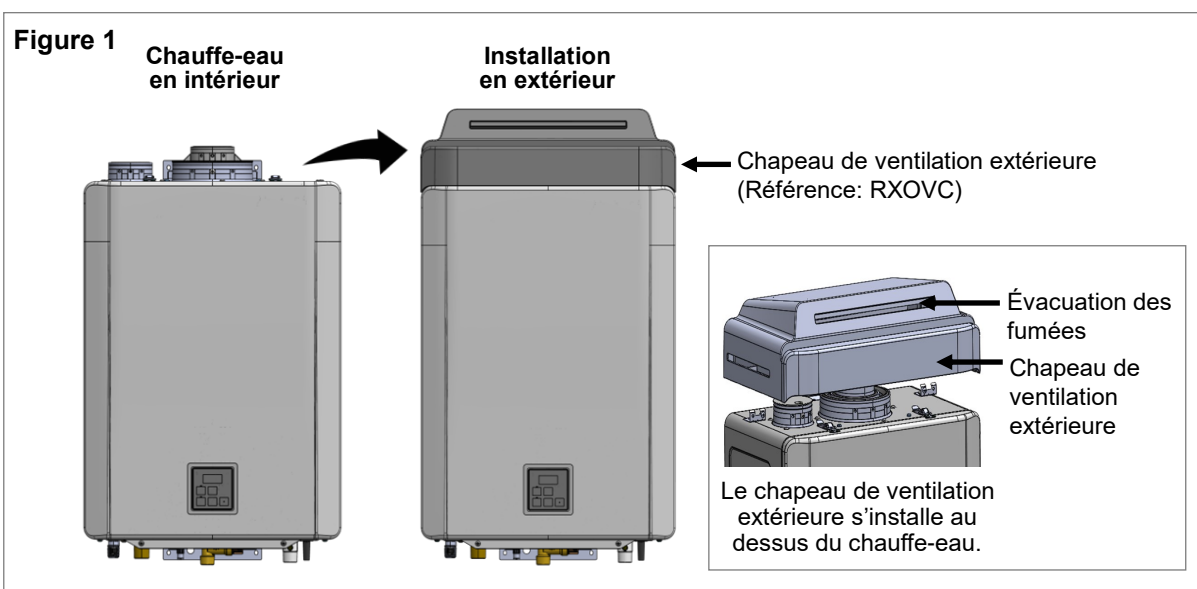
2. Présentation

➔ IMPORTANT

Le présent manuel fournit les instructions nécessaires à la conversion de chauffe-eau instantanés en intérieur Rinnai (modèles concernés¹) pour permettre une installation en extérieur. Pour obtenir des informations détaillées sur le chauffe-eau instantané, telles que les spécifications, les instructions d'installation et le mode d'emploi, consultez le document « Manuel d'installation et d'utilisation du chauffe-eau instantané » livré avec l'appareil, ou consultez-le en ligne à l'adresse www.rinnai.us.

2.1 À propos du chauffe-eau

Le chauffe-eau instantané à installation intérieure (modèles concernés¹) peut être converti pour une installation en extérieur avec le chapeau de ventilation extérieure Rinnai (figure 1).



2.2 Éléments nécessaires

Éléments fournis:

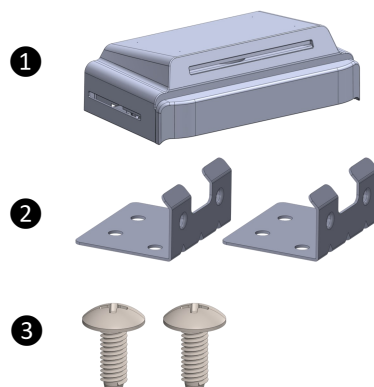
Déballer soigneusement le kit Rinnai de conversion en l'installation extérieure et s'assurer que les éléments suivants sont présents.

En présence de tout élément manquant dans le kit, contacter le revendeur/distributeur le plus proche ou appeler le service d'assistance clientèle Rinnai au +1-800-621-9419.

| Numéro | Article | Qté |
|--------|--|-----|
| ① | Chapeau de ventilation extérieure | 1 |
| ② | Supports de fixation | 2 |
| ③ | Vis | 2 |
| ④ | Manuel de conversion pour l'extérieur (le présent manuel) (non illustré) | 1 |

Pièces et outils nécessaires (fournis sur site):

- Tournevis cruciforme Phillips
- Appareil intelligent (tel qu'un téléphone intelligent)



¹ Les modèles concernés sont répertoriés en page 2 du présent manuel.

3. Choisir un emplacement extérieur

3.1 Directives pour l'emplacement

Lorsqu'il faut choisir un emplacement pour l'installation, s'assurer que toutes les consignes relatives au chauffe-eau et tous les dégagements sont respectés. Tenir compte de l'environnement, de la qualité de l'eau et des besoins éventuels concernant la protection contre le gel. Pour plus d'informations, consulter les sections relatives aux conduites de gaz, arrivées d'eau, ircuités électriques et équipements d'évacuation des condensats dans le document « Manuel d'installation et d'utilisation du chauffe-eau instantané ».



IMPORTANT

Lorsqu'une sortie d'évacuation est bloquée par de la neige ou d'autres objets, le chauffe-eau peut fonctionner à une capacité limitée ou peut être arrêté avec un code d'erreur. Enlevez la neige ou les autres objets autour de la sortie d'échappement. Les conduites d'eau chaude et froide externes et les vannes doivent être isolées pour éviter le gel. Pour protéger les tuyaux et les vannes des conditions de froid extrême, une protection supplémentaire doit être utilisée.

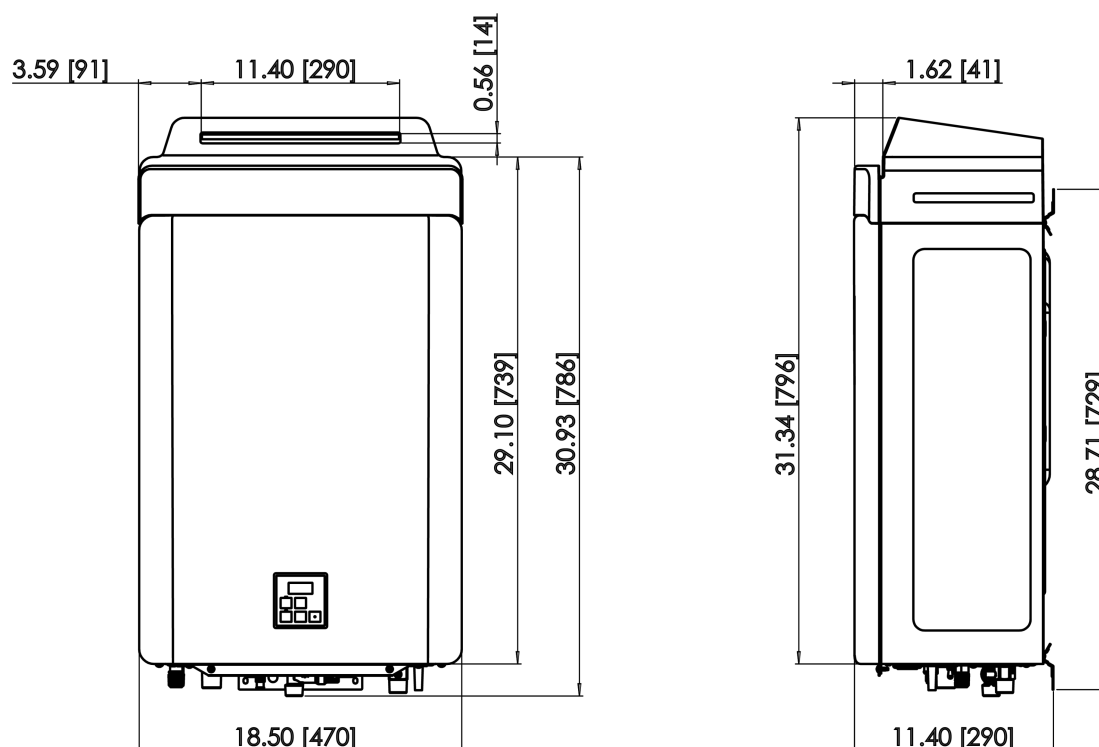
Les directives suivantes permettent de vérifier que l'emplacement d'installation du chauffe-eau est adéquat:

- Le chauffe-eau n'est pas exposé à des températures ambiantes inférieures à -4°F (-20°C) avec une exposition directe au vent.
- Le chauffe-eau n'est pas exposé aux composés corrosifs présents dans l'air.
- L'emplacement du chauffe-eau respecte les dégagements nécessaires.
- Les emplacements des extrémités relatives à l'air comburant et aux gaz de combustion respectent les dégagements nécessaires.
- L'alimentation en eau ne contient pas de produits chimiques et n'a pas une dureté totale excessive, susceptible d'endommager l'échangeur thermique.
- Une prise murale standard à 3 broches, 120 V CA, 60 Hz, correctement reliée à la terre et résistante aux intempéries est disponible.
- L'installation doit être conforme aux codes locaux ou, en l'absence de codes locaux, au National Fuel Gas Code, ANSI Z223.1/ NFPA 54, et/ou au Code d'installation du gaz naturel et du propane CSA B149.1.

3.2 Dimensions

Figure 2

Chauffe-eau avec chapeau de ventilation extérieure

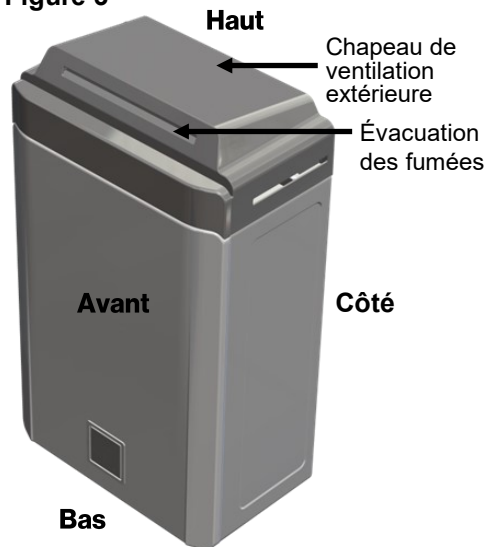


3.3 Dégagements

Dégagements pour les installations en extérieur

| Emplacement | Dégagement par rapport aux matériaux combustibles et non combustibles |
|--|---|
| Haut | 51 mm (2 po) |
| Bas/sol | 305 mm (12 po) |
| Avant | 0 cm (0 po) Le dégagement prévu pour l'entretien est de 610 mm (24 po) en face du chauffe-eau. Ne pas bloquer l'évacuation des gaz de combustion. |
| Arrière | 0 cm |
| Parties latérales (à gauche et à droite) | 51 mm (2 po) |
| Évacuation avant | 610 mm (24 po) |

Figure 3

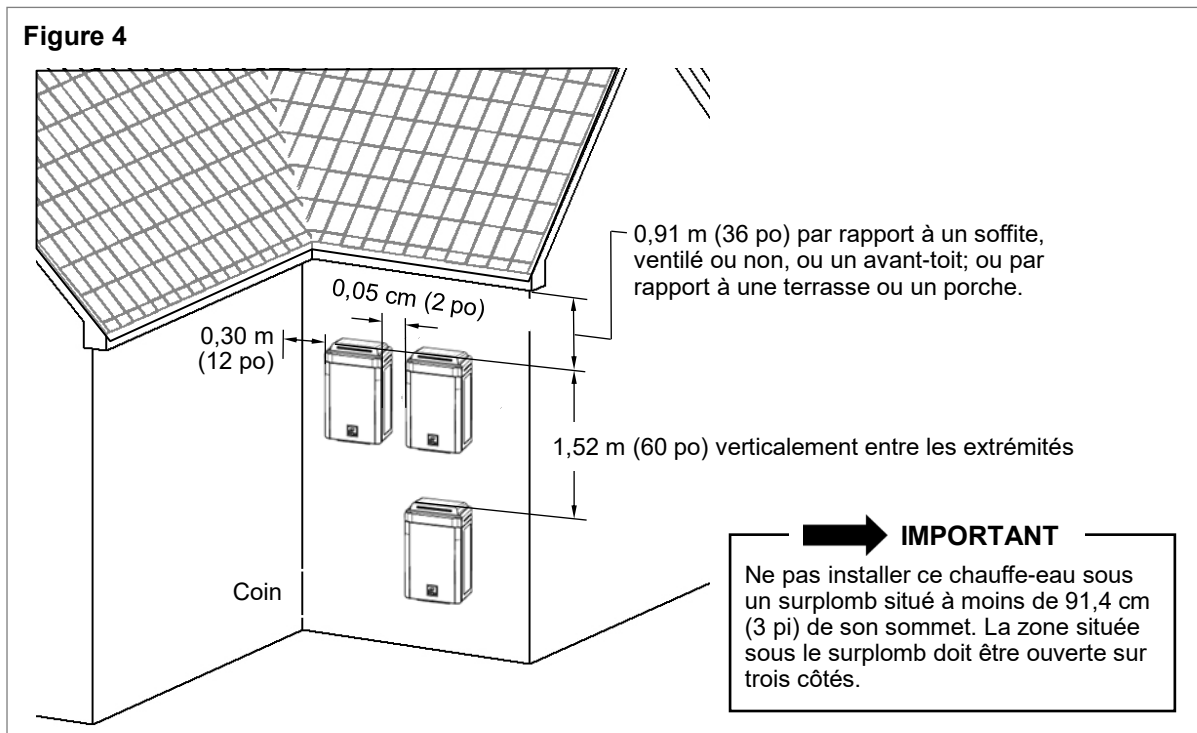


➔ IMPORTANT

Le chapeau de ventilation extérieure (réf.: RXOVC) ne peut pas être utilisé avec un boîtier encastrable.

Dégagements pour plusieurs chauffe-eau installés en extérieur

Figure 4



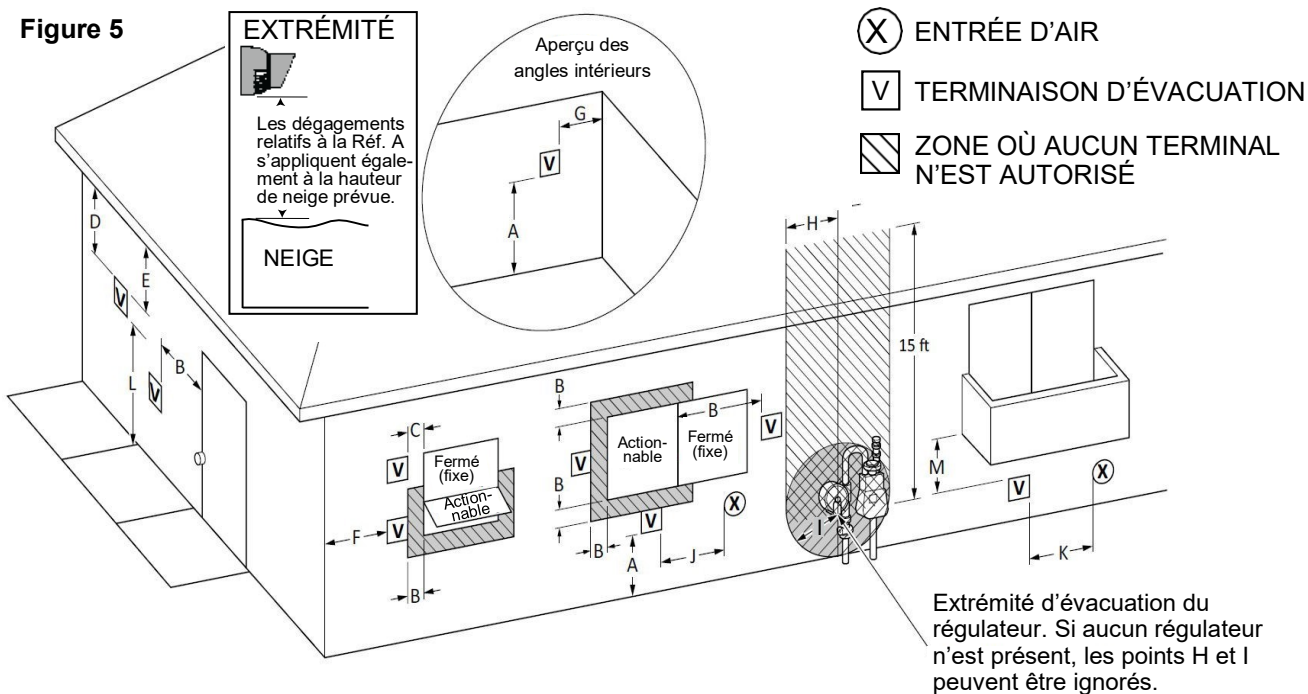
➔ IMPORTANT

Ne pas installer ce chauffe-eau sous un surplomb situé à moins de 91,4 cm (3 pi) de son sommet. La zone située sous le surplomb doit être ouverte sur trois côtés.

➔ IMPORTANT

Pour plus d'informations sur les dégagements, consulter le « manuel d'installation et d'utilisation du chauffe-eau instantané ».

Dégagements en cas de ventilation indirecte (air ambiant ou installations en extérieur)



| Réf. | Description | Installation au Canada ¹ (CSA B149.1) | Installations aux États-Unis ² (ANSI Z223.1/NFPA 54) |
|------|--|--|---|
| | | Autre qu'à évacuation directe (appareil en extérieur et/ou air ambiant) | Autre qu'à évacuation directe (appareil en extérieur et/ou air ambiant) |
| A | Dégagements au-dessus du niveau du sol, d'une véranda, d'un porche, d'une terrasse ou d'un balcon | 30 cm (12 po) | 30 cm (12 po) |
| B | Dégagements des fenêtres ou des portes susceptibles d'être ouvertes | 91 cm (36 po) | 1,2 m (4 pi) en dessous ou sur le côté de l'ouverture; 300 mm (1 pi) au-dessus de l'ouverture |
| C | Dégagements des fenêtres fermées en permanence | * | * |
| D | Dégagements verticaux des soffites ventilés, situés au-dessus de l'extrémité du conduit à une distance horizontale de 61 cm (2 pi) de l'axe médian vertical de l'extrémité d'évacuation. | * | * |
| E | Dégagements des soffites non ventilés | * | * |
| F | Dégagements aux angles extérieurs | * | * |
| G | Dégagements aux angles intérieurs | * | 30 cm (12 po) |
| H | Dégagements de chaque côté de l'axe médian vertical au-dessus de l'assemblage compteur/régulateur | 91 cm (15 pi) pour une hauteur max. de 4,6 m (15 pi) | * |
| I | Dégagements à l'extrémité d'évacuation du régulateur de service | 91 cm (3 pi) | * |
| J | Espacement vers une entrée d'air non mécanique dans le bâtiment ou vers une entrée d'air de combustion d'un autre appareil | 91 cm (36 po) | 1,2 m (4 pi) en dessous ou sur le côté de l'ouverture; 300 mm (1 pi) au-dessus de l'ouverture |
| K | Dégagements à une entrée d'air mécanique | 1,83 m (6 pi) | 91 cm (3 pi) au-dessus si distance horizontale inférieure à 3 m (10 pi) |
| L | Dégagements au-dessus d'un trottoir pavé ou d'une entrée pavée située sur une propriété publique | 2,13 m (7 pi) [1] | Les évacuations des appareils des catégories II et IV ne doivent pas être placées au-dessus de passages publics ou d'autres zones au sein desquelles les condensats et les vapeurs peuvent constituer une nuisance ou un danger pour les personnes. |
| M | Dégagement sous une véranda, un porche, une terrasse ou un balcon | 30 cm (12 po) [2] | * |

¹ Conformément au code d'installation de gaz naturel et de gaz propane B149.1 de la CSA (Association canadienne de normalisation).

² Conformément aux normes actuelles ANSI Z223.1/NFPA 54 du National Fuel Gas Code.

Si les codes d'installation en vigueur localement indiquent des dégagements différents de ceux illustrés, le dégagement le plus strict prévaut.

| Les dégagements des murs opposés sont de 60 cm (24 po). | |
|---|--|
| [1] L'extrémité (le terminal) d'une conduite d'évacuation ne doit pas être située directement au-dessus d'un trottoir ou d'une voie pavée située entre deux maisons familiales et séparant ces deux maisons. [2] Autorisé uniquement si la véranda, le porche, la terrasse ou le balcon est entièrement ouvert au minimum sur deux côtés sous le plancher. | *Les dégagements sont conformes aux codes d'installation locaux et aux exigences du fournisseur de gaz. (Dégagement conforme aux codes d'installation locaux et aux exigences du fournisseur de gaz.) |

4. Raccorder l'alimentation électrique

AVERTISSEMENT

- Ne pas utiliser de rallonge ou d'adaptateur avec ce chauffe-eau.
- Une fois installé, le chauffe-eau doit être mis à la terre conformément aux codes locaux ou, en l'absence de codes locaux, au National Electrical Code, ANSI/NFPA No. 70.
- Ce chauffe-eau est équipé d'un connecteur tripolaire (fil de terre) pour vous protéger contre les risques d'électrocution et doit être branché directement dans une prise femelle tripolaire adéquate. Ne pas couper ou enlever la borne de terre de cette fiche.

Lors de la connexion de l'alimentation électrique, respecter les consignes suivantes:

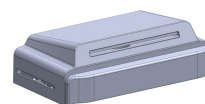
- Ne pas utiliser la tuyauterie de gaz ou d'eau pour mettre le chauffe-eau à la terre. Des mises à la terre sont disponibles à l'intérieur du chauffe-eau.
- Le chauffe-eau nécessite une alimentation de 120 V CA, 60 Hz provenant d'un circuit correctement mis à la terre.
- Si le cordon d'alimentation de 2,0 m (6,5 pi) fourni avec le chauffe-eau est utilisé, brancher celui-ci à une prise murale standard 120 V CA, 60 Hz à trois (3) broches et correctement mise à la terre. Le cordon d'alimentation fourni est prévu pour l'extérieur et peut être utilisé dans des installations en extérieur.
- Sur les modèles extérieurs, l'installation d'un interrupteur général peut être exigée sur la ligne d'alimentation électrique 120 VCA. L'interrupteur doit être adapté à une utilisation en extérieur. Consulter le National Electrical Code, ANSI/NFPA 70 et les codes locaux propres à votre région pour déterminer le type d'interrupteur à utiliser. Les branchements électriques doivent être protégés contre les intempéries.

5. Installation du chapeau de ventilation extérieure

⚠ AVERTISSEMENT

Le chapeau de ventilation extérieure est utilisé uniquement dans les installations en extérieur.

- NE PAS installer de chauffe-eau prévu pour l'intérieur à l'extérieur sans le chapeau de ventilation extérieure Rinnai.
- NE PAS installer de chauffe-eau prévu pour l'intérieur à l'intérieur avec le chapeau de ventilation extérieure Rinnai.
- NE PAS installer dans un boîtier encastrable.



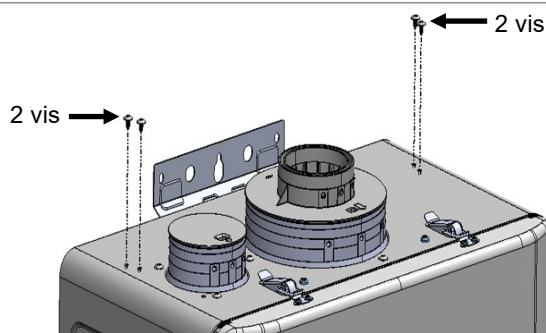
Chapeau de ventilation extérieure

➡ IMPORTANT

- Le chauffe-eau doit être fixé au mur avant d'installer le chapeau de ventilation extérieure. Si le capuchon d'évent extérieur est installé sur le chauffe-eau en premier, vous ne pouvez pas fixer le chauffe-eau sur un mur en installant des vis dans le support de montage supérieur.
- Pour plus d'informations sur l'installation du chauffe-eau au mur, le raccordement des conduites d'eau et de gaz, les branchements électriques, et obtenir des informations supplémentaires, se reporter à la section « Installation du chauffe-eau » du document « Manuel d'installation et d'utilisation du chauffe-eau instantané ».

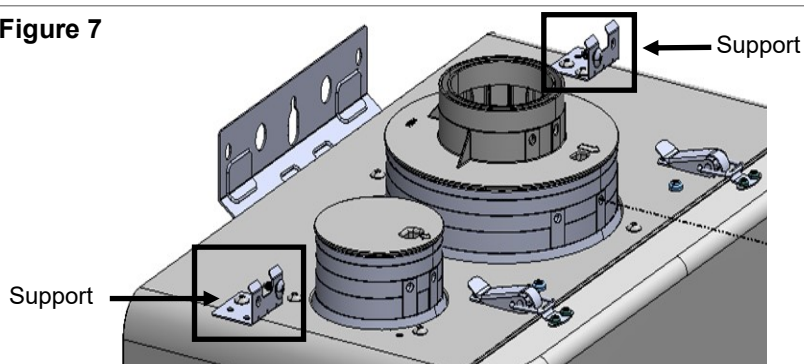
1. Retirer les quatre vis situées sur le dessus du chauffe-eau (figure 6).

Figure 6



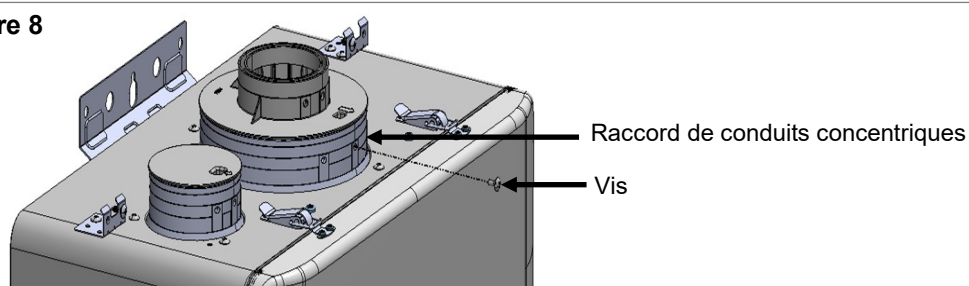
2. Immobiliser les deux supports de fixation (côté gauche et côté droit) fournis à l'aide des quatre vis retirées à l'étape 1 (figure 7).

Figure 7

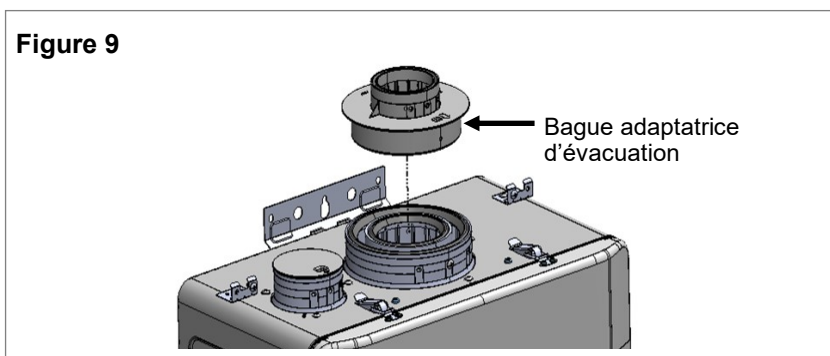


3. Retirer et mettre au rebut la vis du raccord concentrique du conduit de fumée (figure 8).

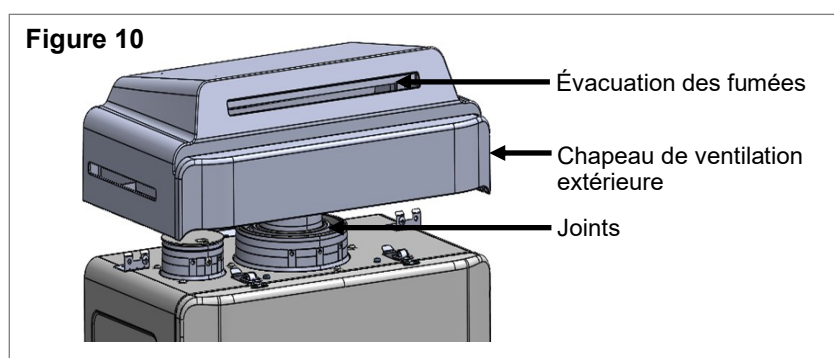
Figure 8



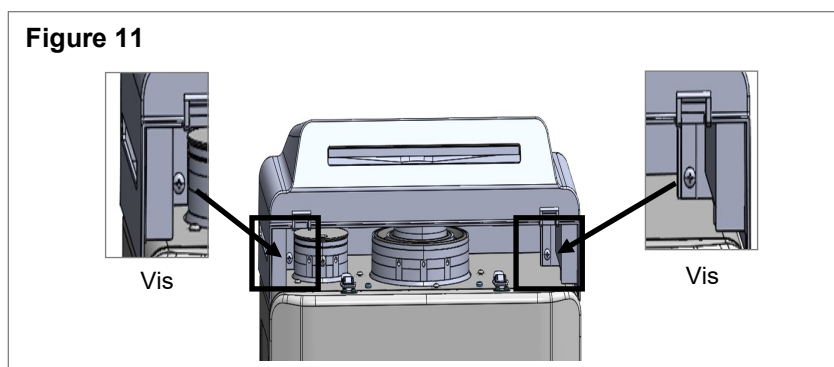
- Retirer et mettre au rebut la bague adaptatrice d'évacuation (figure 9).



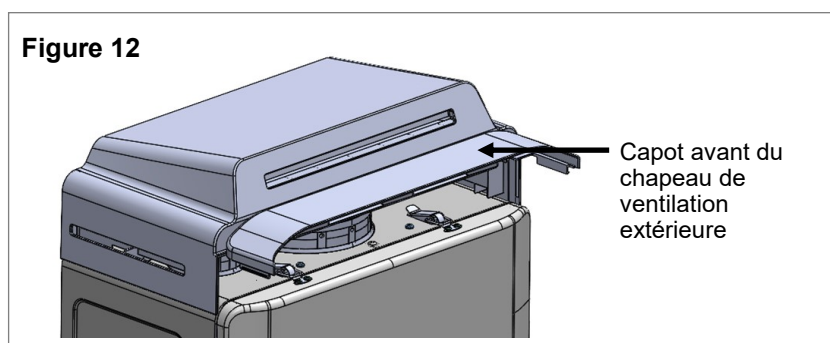
- Inspecter les joints avant d'installer le chapeau de ventilation extérieure, comme l'illustre la figure 10. S'assurer que la sortie d'évacuation est orientée vers l'avant du chauffe-eau et que le chapeau de ventilation extérieure est inséré à fond.



- Ouvrir le capot avant du chapeau de ventilation extérieure. À l'aide d'un tournevis cruciforme Phillips (fourni sur site), fixer le chapeau de ventilation extérieure au chauffe-eau avec les deux vis incluses dans le kit (figure 11).



- Fermer le capot avant du chapeau de ventilation extérieure (figure 12).



6. Réglages des paramètres

Ce chauffe-eau instantané est conçu par défaut pour le gaz naturel et les installations en intérieur. À la première mise sous tension de l'appareil, sélectionner le type de gaz approprié ainsi que le réglage extérieur.

⚠ AVERTISSEMENT

Si les réglages appropriés ne sont pas sélectionnés avant d'utiliser le chauffe-eau instantané, il en résultera une situation dangereuse entraînant des blessures ou des dommages matériels.

➡ IMPORTANT

- S'assurer que la pression du gaz en entrée est comprise entre les pressions minimale et maximale autorisées pour cet appareil.
- Consulter le « manuel d'installation et d'utilisation du chauffe-eau instantané » pour des informations sur les réglages supplémentaires, comme les paramètres de recirculation, le type de gaz, la vitesse de la pompe, etc. (le manuel est livré avec l'appareil ou peut être téléchargé depuis www.rinnai.us).

Modifier les réglages du chauffe-eau instantané en choisissant l'une des deux options ci-dessous:

- **Option 1 (Recommandée):** Régler les paramètres à l'aide d'un appareil intelligent compatible Bluetooth®.
- **Option 2:** Régler les paramètres depuis le contrôleur intégré du chauffe-eau instantané.

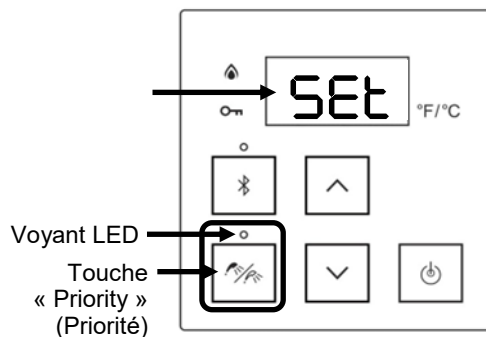
6.1 Option 1: À l'aide d'un appareil intelligent compatible Bluetooth

Remarque: pour utiliser BLE, l'appareil destiné à se connecter (smartphone, tablette, ordinateur, etc.) doit être équipé d'un système Bluetooth 4.0 ou de version ultérieure. Contacter le fabricant de l'appareil en cas de doute sur la version du système Bluetooth.

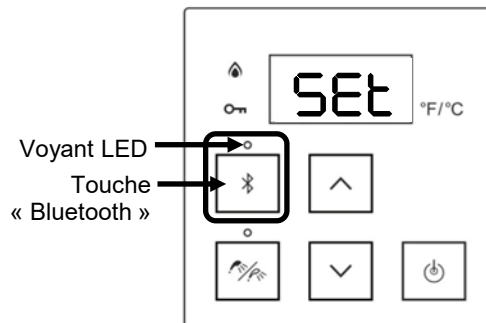
1. Télécharger l'application Rinnai Central en scannant le code QR suivant:



2. À la mise route initiale de l'alimentation électrique du chauffe-eau, le contrôleur affiche « SET » et le voyant LED de la touche Priority (Priorité) du contrôleur se met à clignoter.

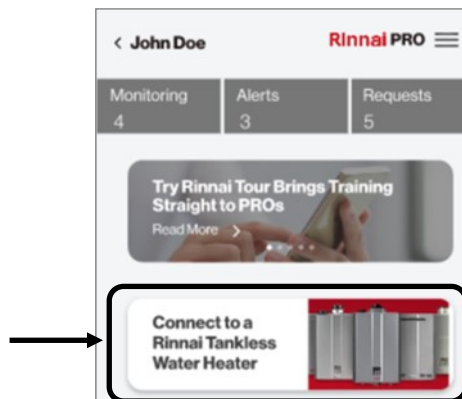


3. Télécharger et installer l'application Rinnai Central™.
4. Démarrer l'application Rinnai Central™ sur l'appareil intelligent. Créer un compte et se connecter.
5. Appuyer sur le bouton Bluetooth du contrôleur. Le voyant LED Bluetooth s'allume en continu.



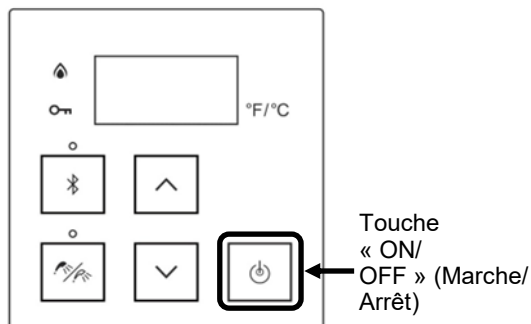
6. Taper sur « Connect to a Rinnai Tankless Water Heater » (Connexion à un chauffe-eau instantané Rinnai) sur l'application Rinnai Central™.

Un bip se fera entendre une fois que l'appairage entre l'application et le chauffe-eau aura été effectué.



Capture d'écran

- Suivre les instructions de l'application Rinnai Central™ pour modifier les réglages du chauffe-eau instantané.
- Une fois les réglages terminés, l'écran du contrôleur est vierge (le contrôleur s'éteint).
- L'installation du chauffe-eau instantané est terminée. Appuyer sur la touche « ON/OFF » (Marche/Arrêt) pour mettre le chauffe-eau instantané en marche.

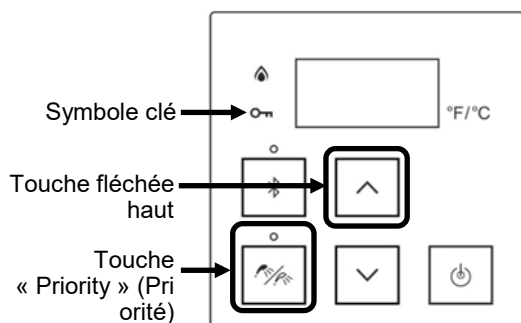


IMPORTANT

Le contrôleur est automatiquement verrouillé après 30 minutes d'inactivité. Déverrouiller le contrôleur:

- maintenir enfoncée la touche « Priority » (Priorité).
- Tout en maintenant la touche « Priority » (Priorité) enfoncée, appuyer sur la touche fléchée vers le haut jusqu'à ce qu'un bip se fasse entendre (environ 5 secondes). Ensuite, relâcher simultanément les deux touches.

Remarque: La clé présente sur le contrôleur ne s'allume pas, ce qui indique que le contrôleur est déverrouillé.

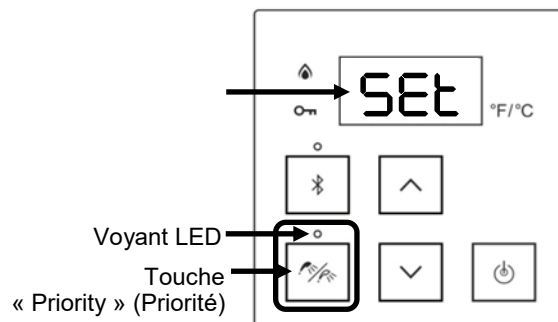


IMPORTANT

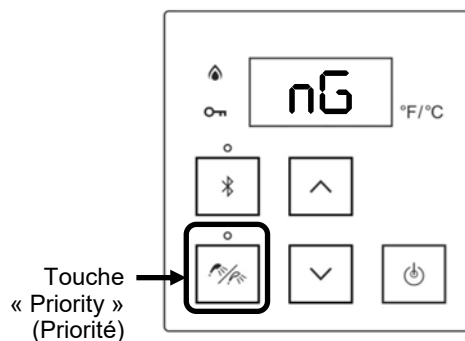
Si le type de gaz est modifié, couper l'alimentation électrique du chauffe-eau, puis la rétablir. Pour couper l'alimentation électrique, débrancher le cordon d'alimentation ou couper l'électricité au niveau du disjoncteur. Le contrôleur ne pilote pas l'alimentation électrique au chauffe-eau.

6.2 Option 2: Réglage des paramètres depuis le contrôleur intégré

- À la mise route initiale de l'alimentation électrique du chauffe-eau, le contrôleur affiche « SEt » et le voyant LED de la touche Priority (Priorité) du contrôleur se met à clignoter.

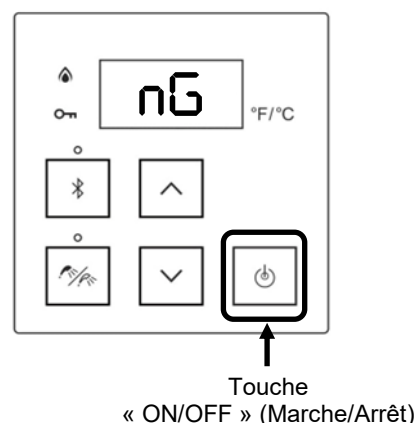


- Appuyer sur la touche « Priority » (Priorité). Le contrôleur affiche « nG » (gaz naturel).



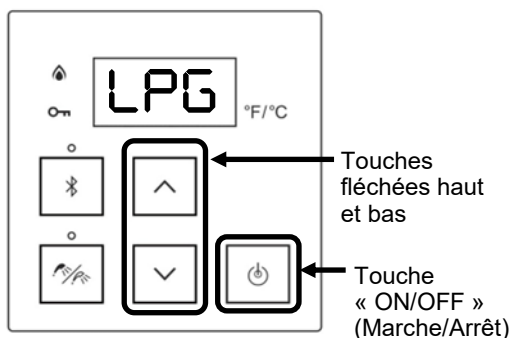
- Pour du gaz naturel:** appuyer sur la touche « ON/OFF » (Marche/Arrêt) pour valider l'utilisation de gaz naturel. Passer ensuite à l'étape 4.

Pour du gaz propane, ignorer cette étape et passer à l'étape 3(B).

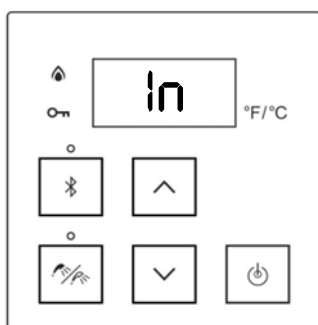


- 3(B). **Pour du propane:** Appuyer sur la touche fléchée haut ou bas. Le contrôleur affiche « LPG » (gaz propane liquide).

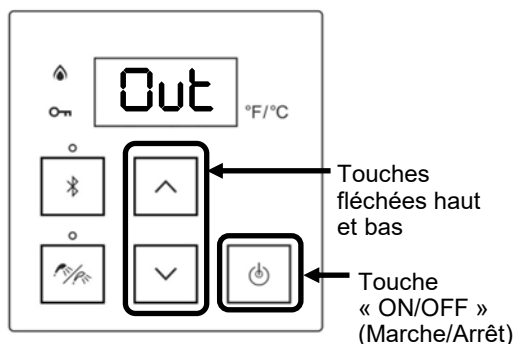
Appuyer sur la touche « ON/OFF » (Marche/Arrêt) pour valider l'utilisation de gaz propane. Passer ensuite à l'étape 4.



4. Le contrôleur affiche « In » (installation en intérieur).



5. Appuyer sur la touche fléchée haut ou bas. Le contrôleur affiche « Out » (installation en extérieur). Appuyer sur la touche « ON/OFF » (Marche/Arrêt) pour valider le réglage « Out » (installation en extérieur).



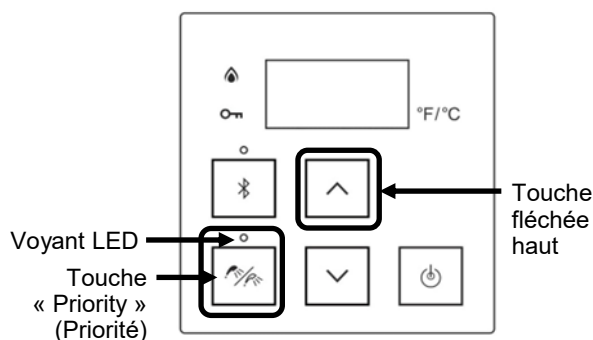
6. Le contrôleur affiche « nG » ou « LPG », et « In » ou « Out » en alternance, tandis que la LED de la touche « Priority » (Priorité) clignote. Le contrôleur indique le réglage actuel pour le gaz et le mode intérieur/extérieur.

Par exemple, si le contrôleur affiche « nG » et « Out », en alternance, cela indique que le chauffe-eau est réglé pour du gaz naturel et l'installation est en extérieur.

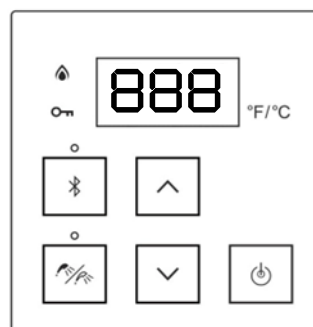
7. **Si les réglages sont corrects:** Appuyer sur la touche « Priority » (Priorité).

Si les réglages ne sont pas corrects:

Appuyer sur la touche fléchée vers le haut pour revenir à l'étape 1. Recommencer à partir de l'étape 1.

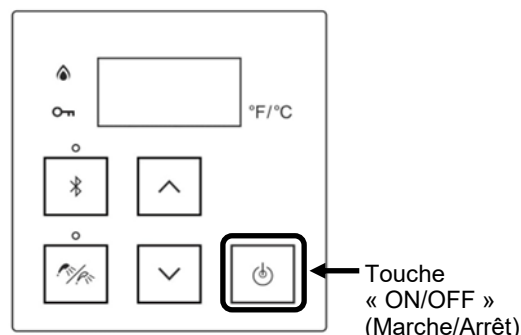


8. Le contrôleur affiche brièvement « 888 » tandis qu'un bip se fait entendre. Puis, terminer les réglages initiaux et le contrôleur s'éteint.



9. Une fois les réglages terminés, l'écran du contrôleur est vierge.

Appuyer sur la touche « ON/OFF » (Marche/Arrêt) pour mettre l'appareil en marche.

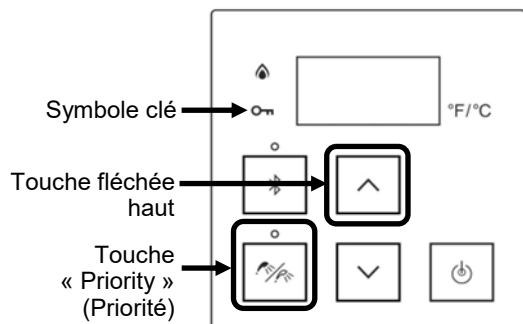


➔ IMPORTANT

Le contrôleur est automatiquement verrouillé après 30 minutes d'inactivité. Déverrouiller le contrôleur:

1. maintenir enfoncée la touche « Priority » (Priorité).
2. Tout en maintenant la touche « Priority » (Priorité) enfoncée, appuyer sur la touche fléchée vers le haut jusqu'à ce qu'un bip se fasse entendre (environ 5 secondes). Ensuite, relâcher simultanément les deux touches.

Remarque: La clé présente sur le contrôleur ne s'allume pas, ce qui indique que le contrôleur est déverrouillé.



➔ IMPORTANT

Si le type de gaz est modifié, couper l'alimentation électrique du chauffe-eau, puis la rétablir. Pour couper l'alimentation électrique, débrancher le cordon d'alimentation ou couper l'électricité au niveau du disjoncteur. Le contrôleur ne pilote pas l'alimentation électrique au chauffe-eau.

7. Dernières étapes

- Suivre les instructions de la section « Liste de vérification après installation du chauffe-eau » du « Manuel d'installation et d'utilisation du chauffe-eau instantané » une fois l'installation terminée.
- Pour obtenir des informations détaillées sur l'installation et le fonctionnement de l'appareil, se reporter au « Manuel d'installation et d'utilisation du chauffe-eau instantané ».
- Si un fonctionnement au « GPL » (gaz propane liquide) est sélectionné, appliquer l'étiquette de conversion de gaz fournie sur un emplacement visible au-dessus des étiquettes existantes, sur le côté gauche du chauffe-eau.

Remarque: Consulter le document « Key Points For A Successful Installation » (Points essentiels à une bonne installation), placé sur le capot avant du chauffe-eau instantané, pour voir l'emplacement de l'étiquette.

- Le réglage d'altitude par défaut de ce chauffe-eau est de 0 à 610 m (0 à 2000 pi). Si ce chauffe-eau doit être installé à une altitude différente, sélectionner le réglage d'altitude approprié. Régler également les autres paramètres de manière appropriée. Consulter la section « Réglages des paramètres » du « Manuel d'installation et d'utilisation du chauffe-eau instantané » pour plus de détails sur les différents paramètres.

Notes / Remarques

Notes / Remarques

Rinnai America Corporation

103 International Drive
Peachtree City, GA 30269
Tel. 1-800-621-9419
Web. www.rinnai.us
www.rinnai.ca

100000842(01)
7/2023