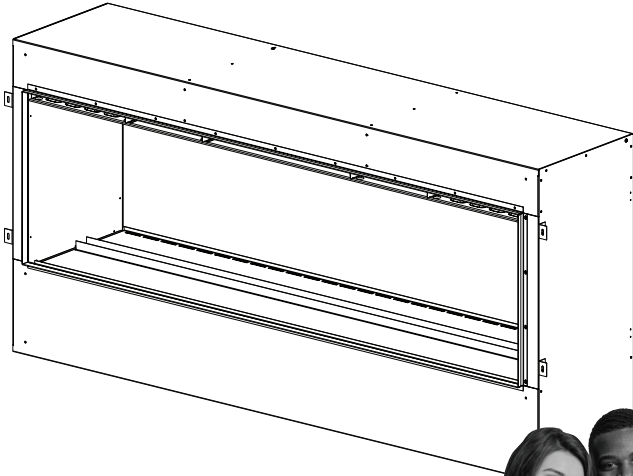




Model  
CDFI-BX1500  
6910370100

## Owner's Manual



*We value your feedback!*

Your input helps to create even better products and experiences. Share the warmth and leave a review.

[dimplex.com/sharethewarmth](https://dimplex.com/sharethewarmth)

 [YouTube/Dimplex](https://www.youtube.com/Dimplex) 










**IMPORTANT SAFETY INFORMATION:** Always read this manual first before attempting to install or use the Opti-myst® Pro Box Heater. For your safety, always comply with all warnings and safety instructions contained in this manual to prevent personal injury or property damage.

To view the full line of Dimplex products, please visit [www.dimplex.com](https://www.dimplex.com)



## Table of Contents

 Welcome & Congratulations . . . . .	3
 Important Instructions . . . . .	4
 Installation . . . . .	6
 Operation . . . . .	12
 Maintenance . . . . .	13
 Warranty . . . . .	14
 Technical Support . . . . .	16

Always use a qualified technician or service agency to repair this unit.

**! NOTE:** Procedures and techniques that are considered important enough to emphasize.

**⚠ CAUTION:** Procedures and techniques which, if not carefully followed, will result in damage to the equipment.

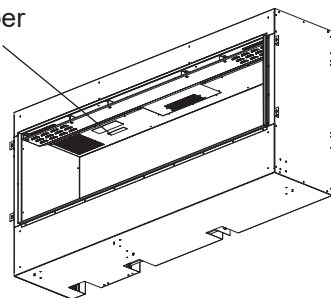
**⚡ WARNING:** Procedures and techniques which, if not carefully followed, will expose the user to the risk of fire, serious injury, or death.

## Welcome & Congratulations

Thank you and congratulations for purchasing an Opti-myst Pro Box Heater from Dimplex. Please use our convenient online registration page to record your model and serial numbers for future reference at

***[www.dimplex.com/register](http://www.dimplex.com/register)***

Model Number  
and Serial  
Number



**Please carefully  
read and save these  
instructions.**

**⚠ CAUTION:** Read all instructions and warnings carefully before starting installation. Failure to follow these instructions may result in a possible electric shock, fire hazard and will void the warranty.

**STOP NO NEED TO RETURN TO THE STORE**

Questions with operation or assembly? Require Parts Information?  
Product Under Manufacturer's Warranty?

Contact us at:  **[www.dimplex.com/support](http://www.dimplex.com/support)**


For Troubleshooting and Technical Support

OR  **Toll-Free 1-888-346-7539**

*In order to better serve you, please have your model and serial number ready or register your product online before calling (See above)*

# IMPORTANT INSTRUCTIONS

When using electrical appliances, basic precautions should always be followed to reduce the risk of fire, electric shock, and injury to persons, including the following:

- ① Read all instructions before using the heater.
  - ② The heater is hot when in use. To avoid burns, do not let bare skin touch hot surfaces. The surface around the heater outlet becomes hot during heater operation.
-  **DANGER:** High temperatures may be generated under certain abnormal conditions. Do not partially or fully cover or obstruct the front of this heater.
- ③ Extreme caution is necessary when any heater is used by or near children or invalids and whenever the unit is left operating and unattended.
  - ④ Do not operate any heater after it malfunctions. Disconnect power at the service panel and have the heater inspected by a reputable electrician before reusing.
  - ⑤ Do not operate any unit with a damaged cord or if the heater has malfunctioned, or if the heater has been dropped or damaged in any manner, contact Glen Dimplex Americas Technical Service at 1-888-346-7539.
  - ⑥ Do not use outdoors.
  - ⑦ Never locate heater over a bathtub or other water container.
  - ⑧ To disconnect the unit, turn the controls OFF, disconnect power at the service panel.
  - ⑨ Do not insert or allow foreign objects to enter any ventilation or exhaust opening as this may cause an electric shock or fire, or damage to the heater.
  - ⑩ To prevent a possible fire, do not block air intake or exhaust in any manner.
  - ⑪ All electrical heaters have hot and arcing or sparking parts inside. Do not use in areas where gasoline, paint, or flammable liquids are used or stored.

# IMPORTANT INSTRUCTIONS

- ⑫ Do not modify the heater. Use it only as described in this manual. Any other use not recommended by the manufacturer may cause fire, electric shock or injury to persons.
- ⑬ Always use a certified electrician should new circuits or outlets be required.
- ⑭ Always use properly grounded, fused and polarized outlets.
- ⑮ Disconnect all power supply before performing any cleaning, maintenance or relocation of the unit.
- ⑯ When transporting or storing the unit, keep in a dry place, free from excessive vibration and store so as to avoid damage.

**! NOTE:** Changes or modifications not expressly approved by the party responsible for compliance could void user's authority to operate the equipment.

## **For Bathroom Use**

If this unit is installed in a bathroom it must be protected by a GFI receptacle or circuit. If receptacle is used it must be readily accessible.

To prevent electrical shock this unit is an electrical appliance that is not watertight and must be installed as to prevent water from entering unit. This must be installed away from showers, tubs, etc. Never locate fireplace where it may fall into a bathtub or other water container.



**CAUTION**  
RISK OF ELECTRIC SHOCK  
DO NOT OPEN  
NO USER-SERVICEABLE PARTS INSIDE



# SAVE THESE INSTRUCTIONS

# Installation

**⚠ WARNING:** ANY INSTALLATION AND SERVICE WORK SHOULD BE PERFORMED BY QUALIFIED AND AUTHORIZED PERSONNEL. ALL INSTALLATIONS MUST COMPLY WITH ALL LOCAL CODES AND BY-LAWS, AND INSPECTED AND APPROVED FOR OPERATION BY LOCAL GOVERNING AUTHORITY PRIOR TO USE.

**⚠ WARNING:** Construction and electrical wiring must comply with local building codes and other applicable regulations to reduce the risk of fire, electric shock and injury to persons.

## Opti-myst Cassette

The Opti-myst Pro Box Heater works exclusively with the Opti-myst Cassette (CDFI1000-PRO and CDFI500-PRO). Controls for the heater are found on the CDFI500-PRO cassette.

## New Construction

When determining a location for the Opti-myst® Pro Box Heater, ensure that the unit will not be susceptible to drafts, vents, ceiling fans and other air currents. Similar to a candle, large movements of air will affect the unit's ability to create and maintain the flame effect.

## Hardwire Installation

The Opti-myst Pro Box Heater is supplied in an assembled state and is designed to be permanently installed. The unit comes ready for hardwire installation.

**⚠ WARNING:** Do not attempt to wire your own new outlets or circuits. To reduce the risk of fire, electric shock or injury to persons, always use a licensed electrician.

**! NOTE:** Please read all instructions before installing.

1. For rough in framing, the opening should follow the recommended dimensions located in Figure 1.

**! NOTE:** Dimensions provided are minimum clearances and will vary depending on type of support framing and finishing options.

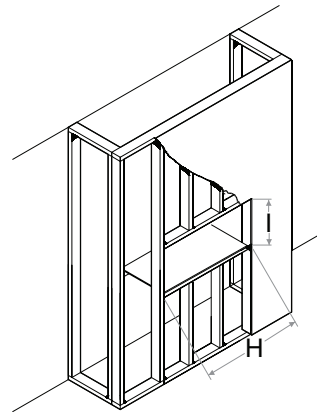
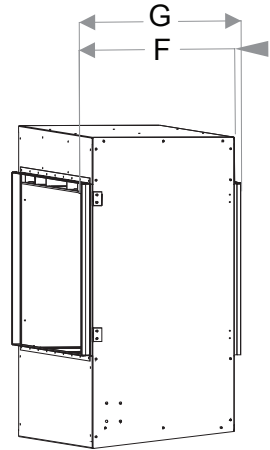
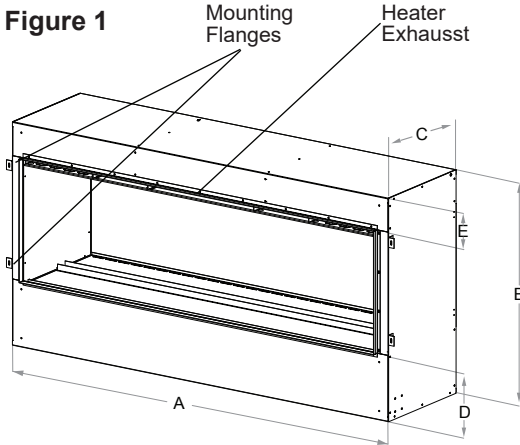
**! NOTE:** Framing should be constructed to support 160 lbs (73 kg)

**⚠ WARNING:** To reduce the risk of fire, do not store or use gasoline or other flammable vapours or liquids in the vicinity of the unit.

# Installation

- Allow at least 4 ft. (122 cm) of service cable for connecting a power supply wire to the Opti-myst Cassette when installing before finishing wall.

**! NOTE:** A 15 amp, 120 volt alternating current (VAC) circuit is required. A dedicated circuit is preferred but not essential in all cases. A dedicated circuit will be required if, after installation, the circuit breaker trips or the fuse blows on a regular basis when the heater is operating. Additional appliances on the same circuit may exceed the current rating of the circuit breaker.



**! NOTE:** Use minimum 14 AWG supply cable with two insulated copper conductors (white and black) and one bare ground wire.

	A	B	C	D	E	F	G	H	I
<b>CDFI-BX1500</b>	65" (165 cm)	31.75" (80.5 cm)	14.7" (37.3 cm)	9.5" (24 cm)	4.8" (12.2 cm)	15.5" (39.3 cm)	16.2" (41.2 cm)	65.4" (166.2 cm)	32.3" (82 cm)

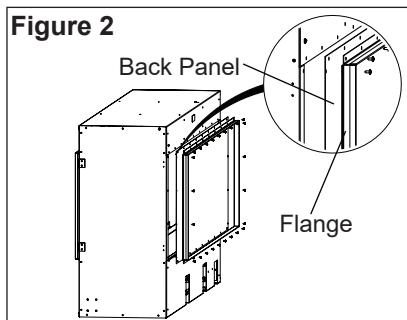
## Installation

**Do not use cable with aluminum conductors.**

**! NOTE:** It is recommended that all drywall installation and finishing be completed after unit is fully installed.

3. The Opti-myst Pro Box Heater can be installed as a one-sided or two-sided unit. The unit comes assembled in the one-sided configuration. The four flanges on the back can be removed if there is not enough depth in the framing to properly fit the unit. For two-sided installation, remove the flanges so that the back panel can be removed. Replace the flanges. (Figure 2)

**! NOTE:** The heater only exhausts from one direction. Note this direction when installing in a two-sided configuration.

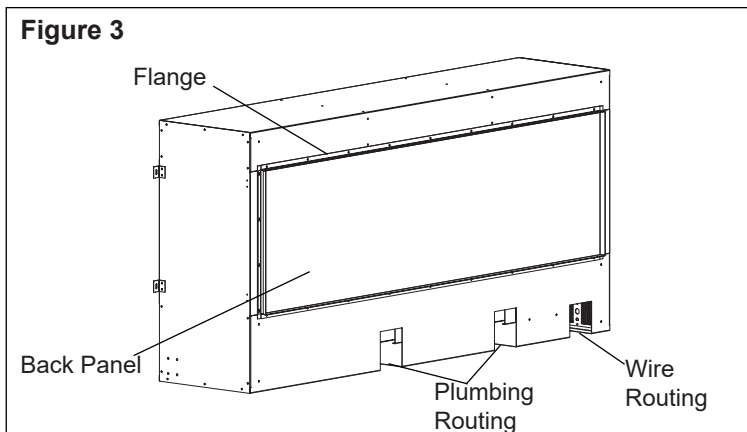


**⚠ CAUTION:** When inserting the unit take care not to damage or pinch any of the power cables that are concealed in the wall.

4. Mount the Opti-myst Pro Box Heater to the framing with the mounting brackets using appropriate screws for the application. (Figure 1)
5. Feed the wire through the opening on the back left of the Opti-myst Pro Box Heater (Figure 3). Remove the outer jacket and strip the individual conductors  $\frac{1}{2}$  in. (1.3 cm) from the end.
6. Do not remove cardboard backing from the Opti-myst Pro Box Heater until the Opti-myst Cassette is installed. This will help prevent scratches and damage to the sides of the Opti-myst Pro Box Heater.
7. Follow the installation instructions provided with the Opti-myst Cassettes to install within the Opti-myst Pro Box Heater. Use the provided screws to fasten the cassettes to the Opti-myst Pro Box Heater through the holes in the cassette. (Figure 4)

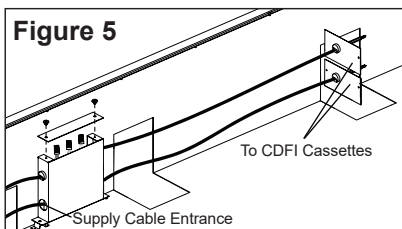
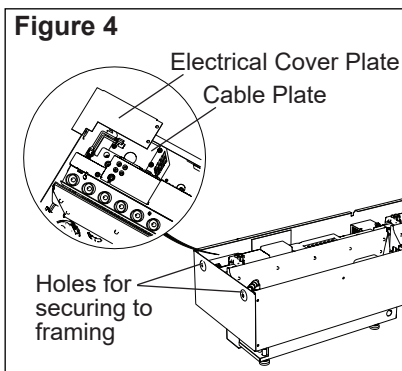


## Installation



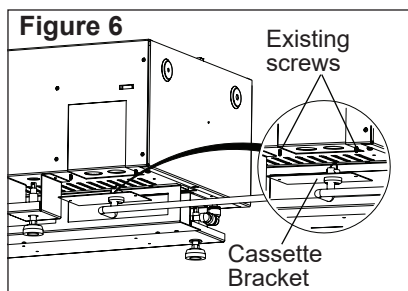
- In the back left corner of the Opti-myst Cassettes, locate and remove the electrical cover plate by removing the two securing screws. (Figure 4)
- Remove the top of the junction box using the 2 screws. On the left side, install the power supply cable through a cable connector (not included) suitable for a 7/8" (22mm) hole. (Figure 5)

**⚠ CAUTION:** Use two conductor, non-metallic sheath cable with ground wire (3 wires total) for the incoming power supply on the cassette and junction box. Use appropriate wire to meet local and national electrical codes for rated power.



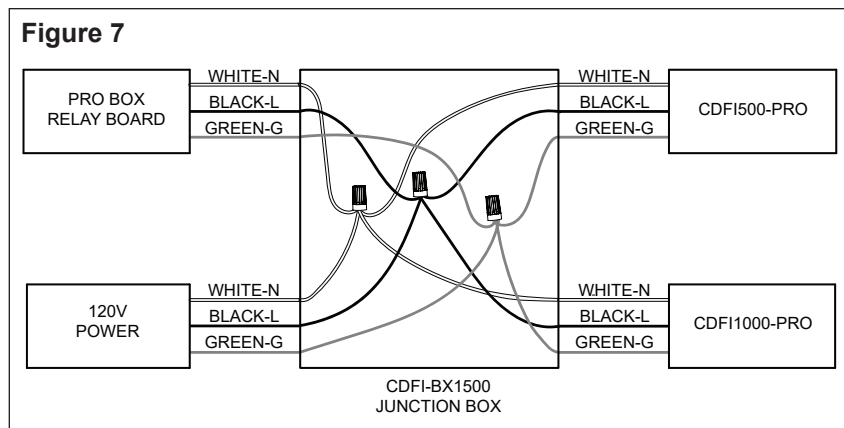
## Installation

- Using the existing screws from the Opti-Myst cassettes, attach one of the cords from the junction box to the CDFI500-PRO, and the other to the CDFI1000-PRO using the brackets provided. (Figure 6)



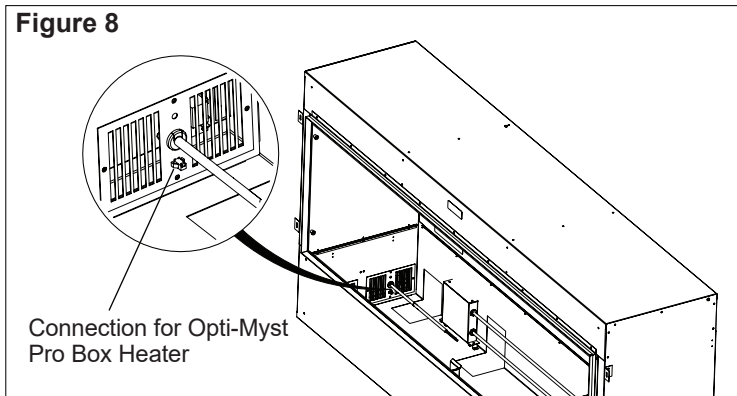
- Within the junction box connect the black wires (live) from the Opti-Myst cassettes and the Opti-Myst Pro Box Heater to the live from the power supply. Then within each cassette, connect the black wires from the junction box to the live from the Opti-Myst Cassette. (Figure 7)

- Within the junction box connect the white wires (neutral) from the Opti-Myst cassettes and the Opti-Myst Pro Box Heater to the neutral from the power supply. Then within each cassette, connect the white wires from the junction box to the neutral from the Opti-Myst Cassette. (Figure 7)



## Installation

13. Within the junction box connect the green wires (ground) from the Opti-Myst cassettes and the Opti-Myst Pro Box Heater to the ground from the power supply. Then within each cassette, connect the green wires from the junction box to the ground from the Opti-Myst Cassette. (Figure 7)
  14. Place all connections inside the junction box and resecure the top.
  15. Place all cassette connections inside the Opti-Myst cassettes and secure the electrical cover plates.
  16. Connect the 2-pin connector from the CDFI500-PRO Opti-Myst cassette to the Opti-Myst Pro Box Heater. (Figure 8)
- ⚠ CAUTION:** Ensure the wire connectors are securely tightened, so no bare wires (live or neutral) are exposed.



## Operation

The heater can be controlled by remote, or the tethered controller through the Opti-myst Cassette. Please refer to cassette User's Guide for details.

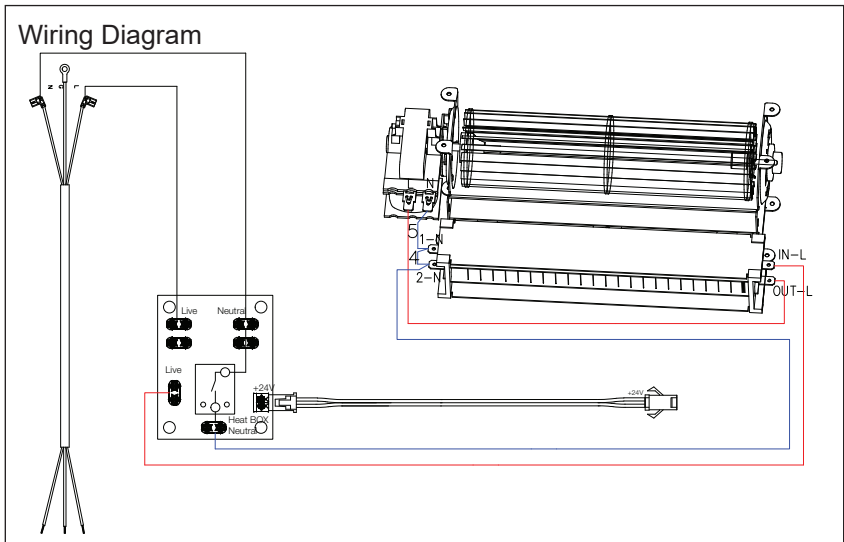
**! NOTE:** The Opti-myst Pro Box Heater cannot be operated independently from the Opti-myst Cassette.

### Resetting the Temperature Cutoff Switch

Should the heater overheat, an automatic switch will turn the heater off and it will not come back on without being reset. The

temperature cutoff switch can be reset by disconnecting power to the unit, waiting 5 minutes and reconnecting power to the unit.

**! CAUTION:** If you need to continuously reset the heater, disconnect power to the unit and call Glen Dimplex Americas at 1-888-346-7539 for technical support. Please have your model and serial number ready when calling.





## Maintenance

### Opti-myst Pro Box Heater Surface Cleaning

To remove fingerprints or other marks, the exterior finish can be cleaned with a damp cloth with a mild detergent. The surface should be completely dried with a lint free cloth to prevent water spots.

**! NOTE:** The heater should not be operated with an accumulation of dust or dirt on or in the unit, as this can cause a build up of heat and eventual damage. For this reason the heater must be inspected regularly, depending upon conditions and at least at yearly intervals.

### Servicing

Except for installation and cleaning described in this manual, an authorized service representative should perform any other servicing.



## Warranty

### 2 YEAR LIMITED WARRANTY

*Products to which this limited warranty applies*

This limited warranty applies to your newly purchased Dimplex heater. This limited warranty applies only to purchases made in any province of Canada except for Yukon Territory, Nunavut, or Northwest Territories or in any of the 50 States of the USA (and the District of Columbia) except for Hawaii and Alaska. This limited warranty applies to the original purchaser of the Product only and is not transferable.

*Products excluded from this limited warranty*

Products purchased in Yukon Territory, Nunavut, Northwest Territories, Hawaii, or Alaska are not covered by this limited warranty. Products purchased in these States, provinces, or territories are sold AS IS without warranty or condition of any kind (including, without limitation, any implied warranties or conditions of merchantability or fitness for a particular purpose) and the entire risk of as to the quality and performance of the products is with the purchaser, and in the event of a defect the purchaser assumes the entire cost of all necessary servicing or repair.

*What this limited warranty covers and for how long*

Products covered by this limited warranty have been tested and inspected prior to shipment and, subject to the provisions of this warranty, Glen Dimplex Americas Ltd. (herein called Glen Dimplex Americas) warrants such products to be free from defects in material and workmanship in respect of the heater components of the Product for a period of 24 months from the date of the first purchase of the Product.

This limited warranty period also applies to any implied warranties that may exist

under applicable law. Some jurisdictions do not allow limitations on how long an implied warranty lasts, so the above limitation may not apply to the purchaser.

*What this limited warranty does not cover*

This limited warranty does not apply to Products that have been repaired (except by Glen Dimplex Americas or its authorized service representatives) or otherwise altered. This limited warranty does further not apply to defects resulting from misuse, abuse, accident, neglect, incorrect installation, improper maintenance or handling, operation with an incorrect power source, fire or other circumstance outside of Glen Dimplex Americas' control including, without limitation, an Act of God.

*What you must do to get service under this limited warranty*

Defects must be brought to the attention of Glen Dimplex Americas Technical Service by contacting 1-888-346-7539. Please have proof of purchase, catalogue/model and serial numbers available when calling. Limited warranty service requires a proof of purchase of the Product.

*What Glen Dimplex Americas will do in the event of a defect*

In the event the Product or part covered by this limited warranty is proven to be defective in material or workmanship during, in the One Year Warranty period, as applicable, you have the following rights:

- Glen Dimplex Americas will in its sole discretion either repair or replace such defective Product or part without charge. If Glen Dimplex Americas is unable to repair or replace the Product or part, or if repair or replacement is not commercially practicable or cannot be timely made, Glen Dimplex Americas



## Warranty

may, in lieu of repair or replacement, choose to refund the purchase price for the Product or part.

- Limited warranty service will be performed solely by dealers or service agents of Glen Dimplex Americas authorized to provide limited warranty services.
- For products other than surrounds (mantels) and trims, this 2 year limited warranty entitles the purchaser to on-site or in-home warranty services. Accordingly, Glen Dimplex Americas will be responsible for all labour and transportation associated with repairing or replacing the product or part except as follows: (i) charges which may be levied for travel costs incurred to travel to the purchaser's site where the product is located if the purchaser's site is beyond 30 miles (48 km) from the closest service depot of Glen Dimplex Americas dealer or service agent; and (ii) the purchaser is solely responsible for providing clear access to all serviceable parts of the product.
- Glen Dimplex Americas will not be responsible for, and the limited warranty services shall not include, any expense incurred for installation or removal of the Product or part (or any replacement Product or part) or any labour or transportation costs. Such costs shall be the purchaser's responsibility.

*What Glen Dimplex Americas and its dealers and service agents are also not responsible for:*

IN NO EVENT WILL GLEN DIMPLEX AMERICAS, OR ITS DIRECTORS, OFFICERS, OR AGENTS, BE LIABLE TO THE PURCHASER OR ANY THIRD PARTY, WHETHER IN CONTRACT, IN TORT, OR ON ANY OTHER BASIS, FOR ANY INDIRECT, SPECIAL, PUNITIVE,

EXEMPLARY, CONSEQUENTIAL, OR INCIDENTAL LOSS, COST, OR DAMAGE ARISING OUT OF OR IN CONNECTION WITH THE SALE, MAINTENANCE, USE, OR INABILITY TO USE THE PRODUCT, EVEN IF GLEN DIMPLEX AMERICAS OR ITS DIRECTORS, OFFICERS, OR AGENTS HAVE BEEN ADVISED OF THE POSSIBILITY OF SUCH LOSSES, COSTS OR DAMAGES, OR IF SUCH LOSSES, COSTS, OR DAMAGES ARE FORESEEABLE. IN NO EVENT WILL GLEN DIMPLEX AMERICAS, OR ITS OFFICERS, DIRECTORS, OR AGENTS BE LIABLE FOR ANY DIRECT LOSSES, COSTS, OR DAMAGES THAT EXCEED THE PURCHASE PRICE OF THE PRODUCT.

SOME JURISDICTIONS DO NOT ALLOW THE EXCLUSION OR LIMITATION OF INCIDENTAL OR CONSEQUENTIAL DAMAGES, SO THE ABOVE LIMITATION OR EXCLUSION MAY NOT APPLY TO THE PURCHASER.

### *How State and Provincial law apply*

This limited warranty gives you specific legal rights, and you may also have other rights which vary from jurisdiction to jurisdiction. The provisions of the United Nations Convention on Contracts for the Sale of Goods shall not apply to this limited warranty or the sale of Product covered by this limited warranty.



## Technical Support

Technical and troubleshooting support, as well as a list of replacement parts can be found on

**[www.dimplex.com/support](http://www.dimplex.com/support)**

1-888-346-7539 | [www.dimplex.com](http://www.dimplex.com)

In keeping with our policy of continuous product improvement, we reserve the right to make changes without notice.

© 2022 Glen Dimplex Americas

**GlenDimplex** 

**AMERICAS**

Enhancing the moments that matter in life.