



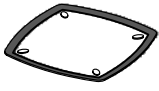
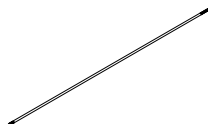


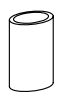

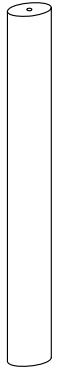
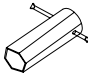

ASSEMBLY INSTRUCTION

ITEM #: 5532-36/5532-36B

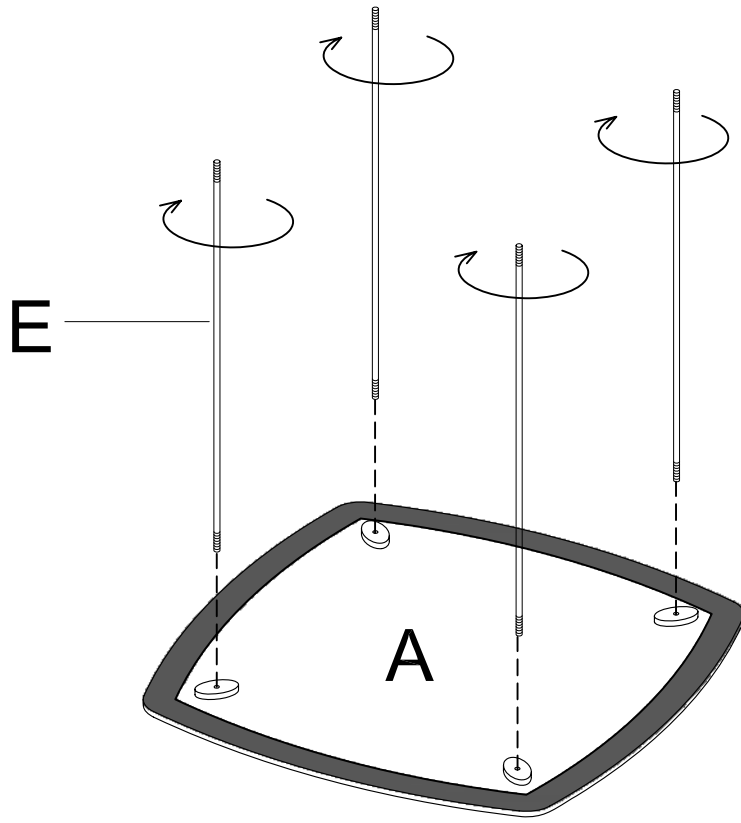
DESCRIPTION: COUNTER HEIGHT TABLE

5532-36 TABLE TOP

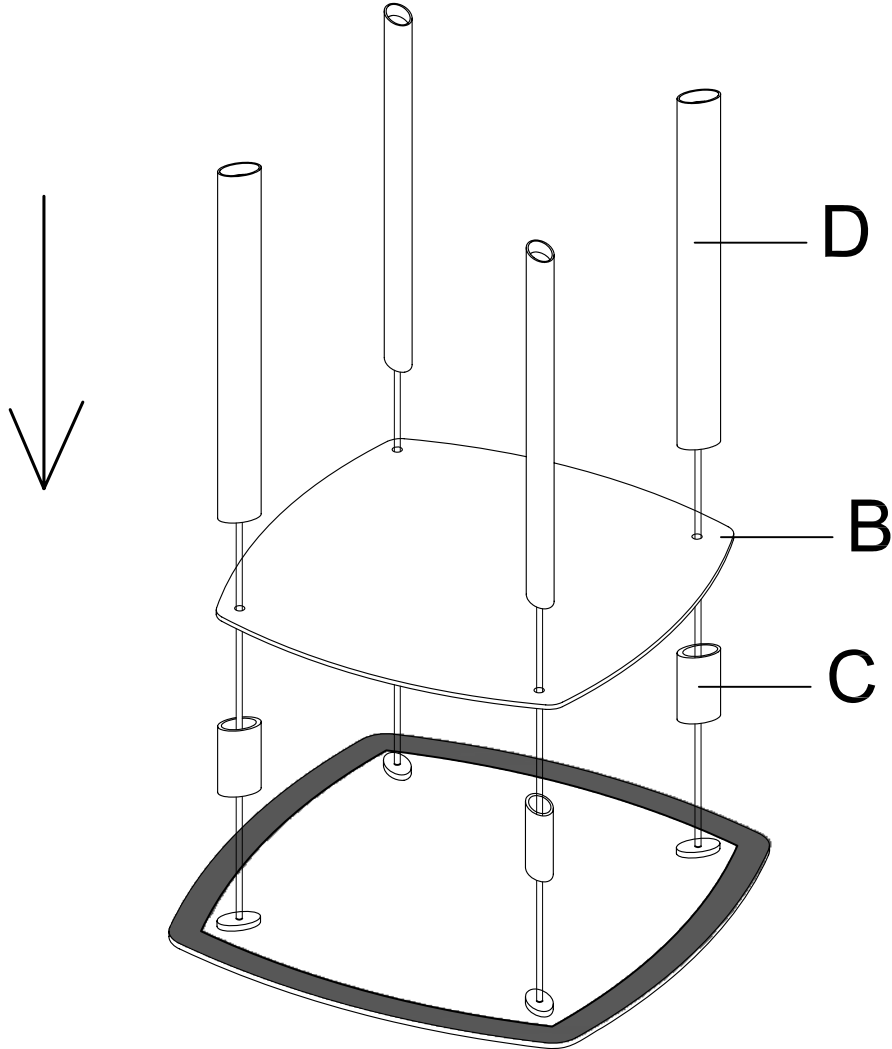
5532-36B TABLE LEG

NO.	PART LIST		QTY	NO.	HARDWARE LIST		QTY
					HARDWARE PACK IN 5532-36B		
A		TABLE TOP	1	E		METAL ROD	4
B		TABLE SHELF	1	F		FLAT WASHER	4
C		UPPER LEG	4	G		NUT	4
D		LOWER LEG	4	H		HEX KEY	1
				I		PLASTIC LEG COVER	4

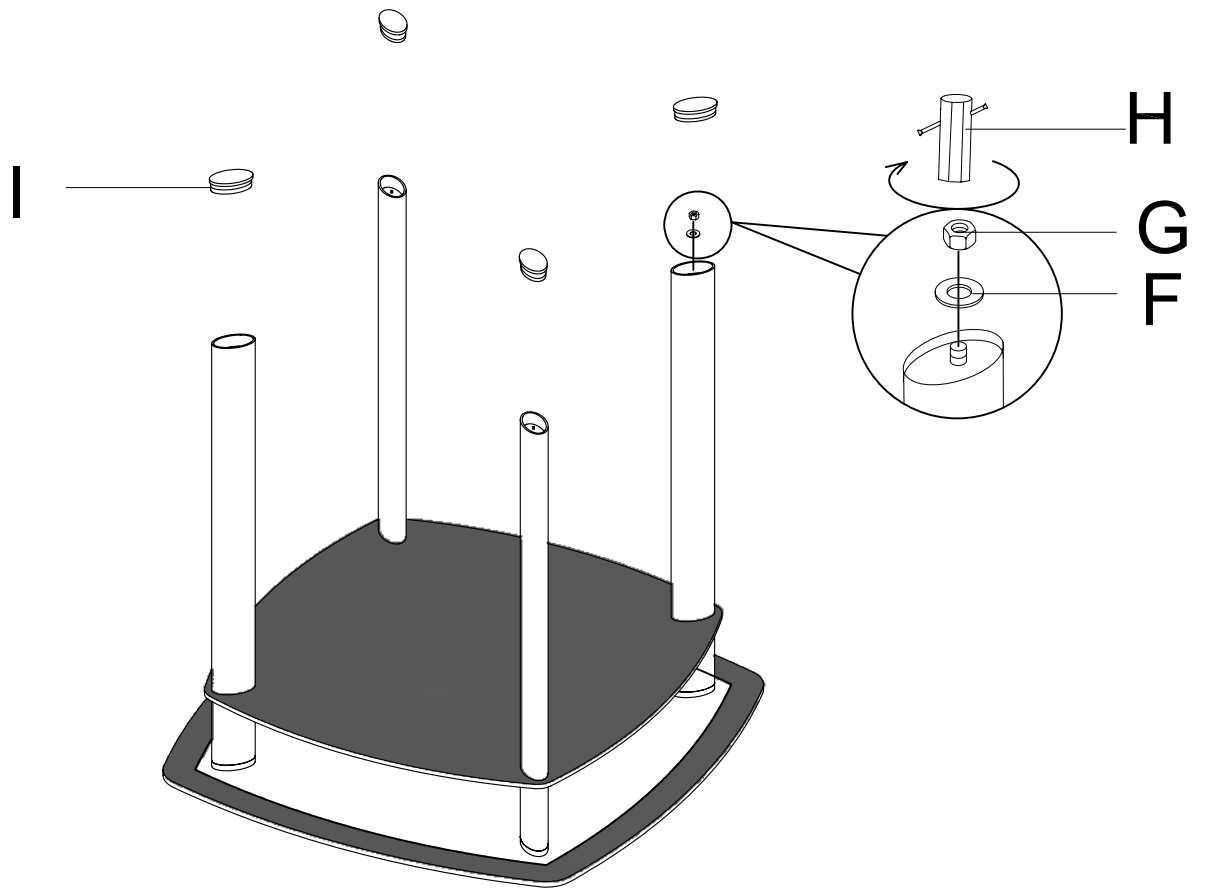
1



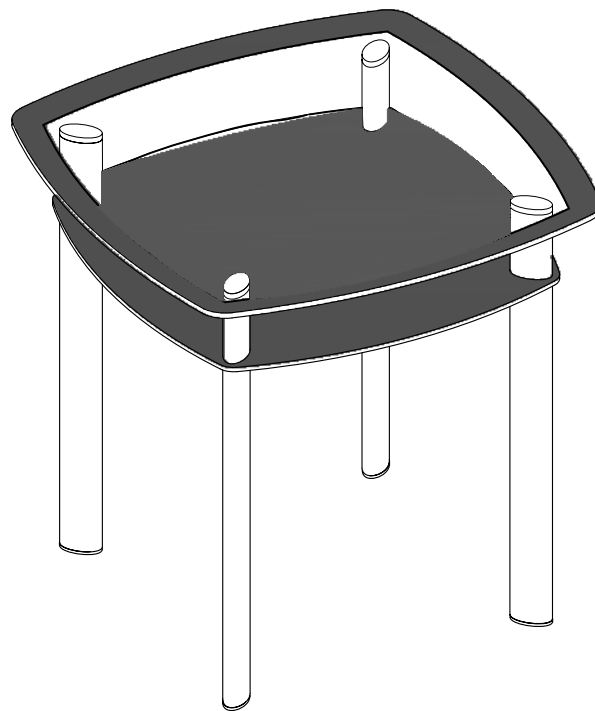
2



3



4



For items use on wooden floor, hard surfaces or carpets, it is recommended to install protective pads under all legs and supports to avoid/prevent from damages/scratches and discoloration.

Do not tighten bolts until completely assembled.