

# SCHOOLHOUSE

## Isaac Sconce - Short Arm



**Application:** Wall Sconce

**Product Origin:** Processed and assembled in Portland, Oregon using ethically-sourced domestic and global components.

**UL Listed:** Yes

**Max Wattage:** 40 W

**Voltage:** 120/220 V

**Location Rating:** Damp

**Dimensions:**

Height: 6" min / 8" max

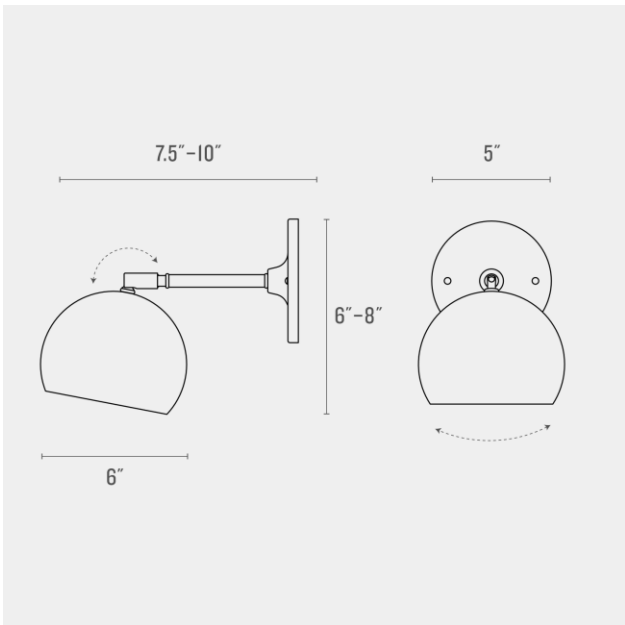
Width: 6"

Projection: 7.5" min / 10" max

Canopy Width: 5"

**Materials:** Brass, Steel

One year guarantee



# SCHOOLHOUSE

---

## Color Option(s)



Black  
(BK)



Lichen-Gloss  
(LN-G)



Persimmon  
(RD)



Black-Gloss  
(BK-G)



Juniper-Gloss  
(JPR-G)



Laurel-Gloss  
(LR-G)



Azalea-Gloss  
(AZ-G)



Industrial  
Yellow-Gloss  
(INY-G)



Bellini-Gloss  
(BN-G)



Shell White-  
Gloss  
(SWT-G)



White  
(WT)



Alder-Gloss  
(AGR-G)



Butterscotch-  
Gloss  
(BU-G)



Natural Brass  
(NB)



Paprika, Gloss  
(PPA-G)



Chamomile-  
Gloss  
(CE-G)



Dune-Gloss  
(DU-G)



Pool-Gloss  
(PL-G)



Ecru-Gloss  
(EC-G)