



WEST BEND®

Refrigerator/Freezer Instruction Manual



Models : WBRA750 Series



Register this and other West Bend® products through our website:
[https://westbend.thelegacycompanies.com/
support/tickets/new?ticket_form=product_registration](https://westbend.thelegacycompanies.com/support/tickets/new?ticket_form=product_registration)
Product registration is not required to activate warranty.

Important Safeguards	2
Know Your Refrigerator/Freezer	3
Installation Instructions	4
Electrical Connection	4-5
Operating Your Appliance	5
Interior Light	5
Defrosting Your Refrigerator/Freezer	6
Freezing Fresh Foods	6
Care And Maintenance	7-8
Troubleshooting	8
Warranty	9

SAVE THIS INSTRUCTION MANUAL FOR FUTURE REFERENCE

English

IMPORTANT SAFEGUARDS

For your personal safety, please follow the instructions below:

1. The circuitry for refrigerator/freezer must be isolated. The area of cross section of wire must be larger than 0.75mm². The power plug should have its own socket, the socket must be grounded as adapter may cause the socket to overheat.
2. The voltage and frequency of this product should be **115V 60Hz**. Contact with the local maintenance station or retailer if the wire is damaged.
3. Disconnect power only by pulling the power plug out of the socket directly but not by the wire.
4. Do not damage the refrigerant circuit.
5. This appliance is not intended for use by persons(including children) with reduced physical, sensory or mental capabilities, or lack of experience and knowledge,unless they have been given supervision or instruction concerning use of the appliance by a person responsible for their safety.
6. Children should be supervised to ensure that they do not play with the appliance.
7. Keep ventilation opening, in the appliance enclosure or in the built in structure, clear of obstruction.
8. Before you throw away your old refrigerator/freezer.
 - Take off the doors;
 - Leave the shelves in place so that children may not easily climb inside.
9. Do not store explosive substances such as aerosol cans with a flammable propellant in this appliance. This appliance is intended to be used in household and similar applications such as:
 - Staff kitchen areas in shops, offices and other working environments;
 - Farm houses and by clients in hotels, motels and other residential type environments;
 - Bed and breakfast type environments;
 - Catering and similar non-retail applications.
10. Do not use electrical appliance inside the food storage compartments of the appliance, unless they are of the type recommended by the manufacture.
11. This appliance can be used by children aged from 8 years and above and persons with reduced physical, sensory or mental capabilities or lack of experience and knowledge if they have been given supervision or instruction concerning use of the appliance in a safe way and understand the hazards involved. Children shall not play with the appliance. Cleaning and user maintenance shall not be made by children without supervision.
12. This unit must be installed in an area protected from the elements, such as wind, rain, water spray or sunlight. For indoor use only. Not for outdoor use.



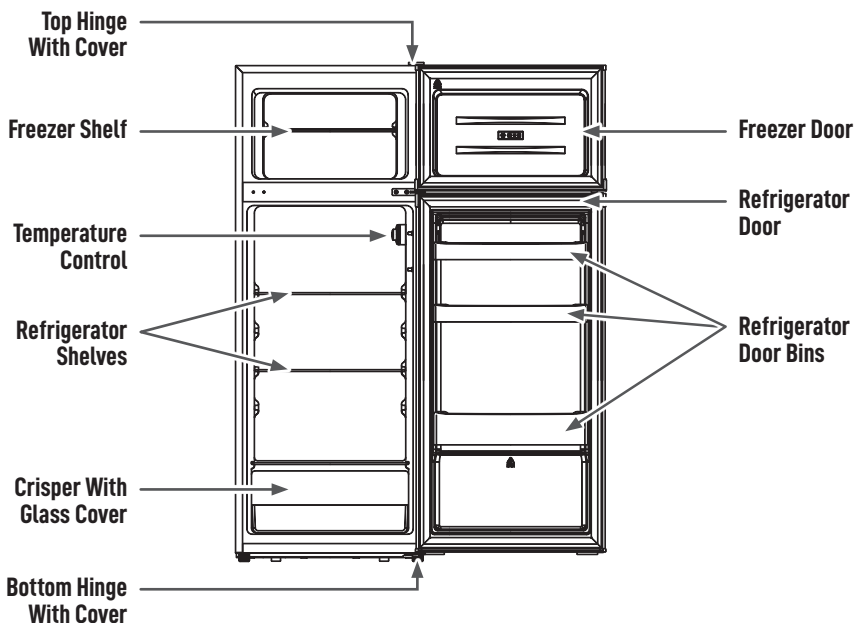
WARNING:

1. The refrigerant of this product is R600a, which is inflammable. So, be cautious not to damage the cooling system during the transportation and installation.
2. When refrigerant leaks from its container, do not pull the plug, out or in, for it may arouse sparks and fire calamities
3. Do not splash water on the rear of the appliance, for it may cause malfunction or electric shock.
4. Do not store inflammable materials such as ether, benzene, LP gas and glue etc in the refrigerator/freezer.
5. Do not place bottled beverage in the freezer, so as to prevent breaking.
6. It is recommended not to place object on the top of appliance which is magnetic heavy, or be filled with water. Electronic components may not work steadily if water gets inside. Do not store object which is costly or impressive to temperature and , e.g. serum, bacterin and so on.
7. **DISPOSAL:** Do not dispose this product as unsorted municipal waste. Collection of such waste separately for special treatment is necessary.
8. **DANGER:** Risk of fire or explosion. Flammable refrigerant used. Do not use mechanical devices to defrost refrigerator. Do not puncture refrigerant tubing.
9. **DANGER:** Risk of fire or explosion. Flammable refrigerant used. To be repaired only by trained service personnel. Use only manufacturer-authorized service parts. Any repair equipment used must be designed for flammable refrigerants. Follow all manufacturer repair instructions. Do not puncture refrigerant tubing.
10. **CAUTION:** Risk of fire or explosion. Dispose of refrigerator properly in accordance with the applicable federal or local regulations. Flammable refrigerant used.
11. **CAUTION:** Risk of fire or explosion due to puncture of refrigerant tubing; follow handling instructions carefully. Flammable refrigerant used.

SAVE THESE INSTRUCTIONS HOUSEHOLD USE ONLY

Congratulations on your purchase of an West Bend® Refrigerator/Freezer!

KNOW YOUR REFRIGERATOR/FREEZER



(Product may be subject to change without prior notice)

INSTALLATION INSTRUCTIONS

BEFORE USING YOUR APPLIANCE

1. Remove the exterior and interior packing.
2. Check to be sure you have all of the following parts:

2	Refrigerator Shelves
1	Vegetable Crispers
1	Glass Crisper Cover
1	Freezer Shelf
1	Instruction Manual
3. Before connecting the unit to the power source, let it stand upright for approximately **2 hours**. This will reduce the possibility of a malfunction in the cooling system from handling during transportation.
4. Clean the interior surface with lukewarm water using a soft cloth.

INSTALLATION INSTRUCTIONS

INSTALLATION OF YOUR APPLIANCE

Place your refrigerator/freezer on a floor that is strong enough to support the refrigerator/freezer when it is fully loaded.

To level your refrigerator/freezer, adjust the leveling legs at the bottom of unit.

ALLOW 5 INCHES OF SPACE BETWEEN THE BACK AND SIDES OF THE UNIT, WHICH ALLOWS THE PROPER AIR CIRCULATION TO COOL THE COMPRESSOR AND CONDENSER.

Locate the unit away from direct sunlight and sources of heat (stove, heater, radiator, etc.). Direct sunlight may affect the acrylic coating and heat sources may increase electrical consumption. Extreme cold ambient temperatures may also cause the refrigerator/freezer not to perform properly.

Avoid locating the unit in moist areas.

Plug the unit into an exclusive properly installed-grounded wall outlet. Do not under any circumstances cut or remove the third (ground) prong from the power cord. Any questions concerning power and/or grounding should be directed toward a certified electrician.

ELECTRICAL CONNECTION

INSTALLATION OF YOUR APPLIANCE

Improper use of the grounded plug can result in the risk of electrical shock. If the power cord is damaged, have it replaced by an authorized West Bend Products service center.

This appliance should be properly grounded for your safety. The power cord of this appliance is equipped with a three-prong plug which mates with standard three prong wall outlets to minimize the possibility of electrical shock.

Do not under any circumstances cut or remove the third ground prong from the power cord supplied.

This appliance requires a standard 115Volts~/60Hz electrical outlet with three-prong ground.

The cord should be secured behind the appliance and not left exposed or dangling to prevent accidental injury.

Never unplug the appliance by pulling the power cord. Always grip the plug firmly and pull straight out from the receptacle.

Do not use an extension cord with this appliance. If the power cord is too short, have a qualified electrician or service technician install an outlet near the appliance.

EXTENSION CORD

Because of potential safety hazards under certain conditions, it is strongly recommended that you do not use an extension cord with this unit. However, if you must use an extension cord it is absolutely necessary that it be a UL/CUL-Listed, 3-wire grounding type appliance extension cord having a grounding type plug and outlet and that the electrical rating of the cord be 115 volts and at least 10 amperes.

SURGE PROTECTOR

Most electrical appliances use a series of electric control boards to operate. These boards are very susceptible to power surges and could be damaged or destroyed.

If the appliance is going to be used in an area or if your city / country is prone to power surges / outages; it is suggested that you use a power surge protector for all electrical devices / appliances you use. The surge protector that you select must have a surge block high enough to protect the appliance it is connected to. If you have any questions regarding the type and size of surge protector needed contact a licensed electrician in your area.

Damages due to power surges are not considered a manufacturer covered defect and will void your product warranty.

OPERATING YOUR APPLIANCE

SETTING THE TEMPERATURE CONTROL

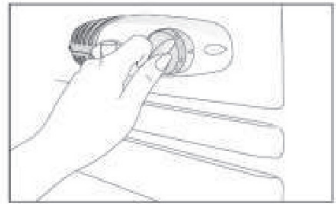
Your unit has only one control for regulating the temperature in the compartment. The temperature control is located on the upper right hand side of the compartment.

The first time you turn the unit on, set the temperature control to "7". The range of the temperature control is from position "0" to "7". After 24 to 48 hours, adjust the temperature control to the setting that best suits your needs. The setting of "5" should be appropriate for home or office use.

To turn the refrigerator/freezer off, turn the temperature control to "0".

NOTE:

- Turning the temperature control to "0" position stops the cooling cycle but does not shut off the power to the unit.
- If the unit is unplugged, has lost power, or is turned off, you must wait 3 to 5 minutes before restarting the unit. If you attempt to restart before this time delay, the unit will not start.



INTERIOR LIGHT

When you open the door the light will be ON automatically. When you close the door the light will turn OFF automatically.

NOTE:

If the unit is unplugged, has lost power, or is turned off, you must wait 3 to 5 minutes before restarting the unit. If you attempt to restart before this time delay, the refrigerator/freezer will not start.

NOTE:

- We do not recommend the installation of the refrigerator/freezer where the temperature will drop below 50°F (13°C) or rise above 110°F (43°C). The compressor will not be able to maintain proper temperatures inside the refrigerator/freezer.
- For installations where the temperatures will drop below 50°F (13°C) set the freezer temperature control to the "coldest" setting. This will improve the operations of the refrigerator/freezer under these conditions.

DEFROSTING YOUR REFRIGERATOR/FREEZER

When? For the most efficient operation and minimum energy consumption, defrost the freezer compartment when the frost on the refrigerator walls is excessive or ¼ inch thick.

There is no need to defrost the refrigerator compartment, because ice depositing on the inner back wall is defrosted automatically. Ice may deposit on the inner back wall during the compressor operation; later on, when the compressor is not operating the ice will defrost and the water drops collect and drain through the outlet in the inner back wall into the drain pan situated above the compressor, from where it evaporates.

How?

- Reset the thermostat to the "0" position and disconnect the power supply.
- Remove the frozen food from the refrigerator and place it in a cooler to protect the food.
- Leave the door open for a while so that you can easily scrap off the frost.
- Use a plastic scraper but be careful not to damage the inner surfaces of the freezer.
- Wipe up the scraped off frost and ice before it is completely defrosted.

CAUTION: *Do not use boiling water because it may damage the plastic parts. In addition, never use a sharp or metallic instrument to remove frost as it may damage the cooling coils and will void the warranty. We recommend using a plastic scraper.*

FREEZING FRESH FOODS

- Proper use of the appliance, adequately packed food, correct temperature and taking into account hygienic precautions will substantially influence the quality of freezing the food or storing of the frozen foods.
- This compartment is designed for the long-term storage of frozen food.
- The storage life of frozen foods varies and the recommended storage time should not be exceeded.
- Pre-packed commercially frozen food should be stored in accordance with the frozen foods manufacturer's instructions for a three star frozen food storage compartment or home freezer.
- Place frozen food into the freezer as quickly as possible after purchase. If there are instructions on the packet, carefully follow these instructions regarding storage times.
- Carefully select food you intend to freeze, it should be of adequate quality and suitable for freezing.
- Use correct packaging and wrap it tight.
- The packaging should be airtight and shouldn't leak since this could cause substantial vitamin loss and dehydration of foods.
- Foils and bags should be soft enough to tightly wrap around the foods.
- When preparing foods to be frozen, consider sanitary precautions.
- Mark packages with following data: kind and amount of foods and the date of loading.
- It is extremely important that the food is frozen as quickly as possible.
- If the loading amount is too large, the quality of freezing is reduced which affects the quality of frozen foods.

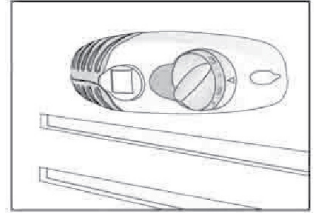
CARE AND MAINTENANCE

REVERSING THE DOOR SWING OF YOUR APPLIANCE

This refrigerator/freezer has the capability of the door opening from either the left or right side. The unit is delivered to you with the door opening from the left side. Should you desire to reverse the opening direction, please call service for reversal instructions.

CHANGING THE LIGHT BULB

1. Unplug the AC power cord from the wall.
2. Squeeze the tabs at the top and bottom of the light bulb cover simultaneously.
3. Remove the light bulb cover.
4. Unscrew the bulb.
5. Replace with a 10 watts bulb that is the same shape and size.
6. Reinstall the light bulb cover.



CLEANING YOUR APPLIANCE

- Unplug the unit, and remove the food and baskets.
- Wash the inside with a warm water and baking soda solution. The solution should be about 2 tablespoons of baking soda to a quart of water.
- Wash the baskets with a mild detergent solution.
- The outside of the unit should be cleaned with mild detergent and warm water.

CAUTION

Failure to unplug the refrigerator/freezer could result in electrical shock or personal injury.

POWER FAILURE

Most power failures are corrected within a few hours and should not affect the temperature of your refrigerator/freezer if you minimize the number of times the door is opened. If the power is going to be off for a longer period of time, you need to take the proper steps to protect your food.

VACATION TIME

Short vacations: Leave the unit operating during vacations of less than three weeks.

Long vacations: If the appliance will not be used for several months, remove all food and unplug the power cord. Clean and dry the interior thoroughly. To prevent odor and mold growth, leave the door open slightly: blocking it open if necessary.

MOVING YOUR APPLIANCE

- Remove all the food.
- Securely tape down all loose items inside your unit.
- Turn the leveling screws up to the base to avoid damage.
- Tape the door shut.
- Be sure the unit stays in the upright position during transportation.

CARE AND MAINTENANCE

ENERGY SAVING TIPS

- The unit should be located in the coolest area of the room, away from heat producing appliances or heating ducts, and out of direct sunlight.
- Let hot foods cool to room temperature before placing them in the unit. Overloading the unit forces the compressor to run longer. Foods that freeze too slowly may lose quality, or spoil. Be sure to wrap foods properly, and wipe containers dry before placing them in the unit. This cuts down on frost build-up inside the freezer.
- Organize and label food to reduce door openings and extended searches. Remove as many items as needed at one time, and close the door as soon as possible.

TROUBLESHOOTING

Problem	Possible Cause
Unit does not operate	<ul style="list-style-type: none">• Not plugged in.• The circuit breaker tripped or there is a blown fuse.
Compressor turns on and off frequently	<ul style="list-style-type: none">• The room temperature is hotter than normal.• A large amount of food has been added to the refrigerator/freezer.• The door is opened too often.• The door is not closed completely.• The temperature control is not set correctly.• The door gasket does not seal properly.• The refrigerator/freezer does not have the correct clearances.
Vibrations.	Check to assure that the refrigerator/freezer is level.
The unit seems to make too much noise.	<ul style="list-style-type: none">• The rattling noise may come from the flow of the refrigerant, which is normal.• As each cycle ends, you may hear gurgling sounds caused by the flow of refrigerant in your refrigerator/freezer.• Contraction and expansion of the inside walls may cause popping and crackling noises.• The unit is not level.
The door will not close properly.	<ul style="list-style-type: none">• The unit is not level.• The door is reversed and not properly installed.• The gasket is dirty.• The baskets are out of position.

YOUR WESTBEND PRODUCTS WARRANTY

Staple your sales receipt here.
Proof of original purchase date is needed
to obtain service under warranty.

WHAT IS COVERED – LIMITED ONE – YEAR WARRANTY

WestBend Products warrants that the product is free from defects in materials and/or workmanship for a period of twelve (12) months from the later of the date of purchase or delivery to the original owner. The foregoing timeline begins to run upon the date of purchase, and shall not be stalled, tolled, extended, or suspended for any reason whatsoever unless described in detail in the warranty document. For one year from the date of purchase by the original owner, WestBend Products will, at its option, repair or replace any part of the product which proves to be defective in material or workmanship under normal use. WestBend Products will provide you with a reasonably similar product that is either new or factory refurbished. During this period WestBend Products will provide all parts and labor necessary to correct such defects free of charge, so long as the product has been installed and operated in accordance with the written instructions in this manual. In rental or commercial use, the warranty period is 90 days. All WestBend appliances of 3.5 cubic feet capacity or less must be brought/sent to the appliance service center for repair.

LIMITED SECOND THROUGH FIFTH YEAR WARRANTY

For the second through the fifth year from the date of original purchase, WestBend Products will provide a replacement compressor free of charge due to a failure. You are responsible for the service labor and freight charges. In rental or commercial use, the limited compressor warranty is one year and nine months. Costs involved to move the product to the service center and back to the user's home, as maybe required, are the user's responsibility.

WARRANTY EXCLUSIONS / WHAT IS NOT COVERED:

The warranty coverage described herein excludes all defects or damage that are not the direct fault of WestBend Products, including without limitation, one or more of the following:

- A failure to comply with any applicable state, local, city, or county electrical, plumbing and/or building codes, regulations, or laws, including failure to install the product in strict conformity with local fire and building codes and regulations.
- Any external, elemental and/or environmental forces and factors, including without limitation, rain, wind, sand, floods, fires, mud slides, freezing temperatures, excessive moisture or extended exposure to humidity, lightning, power surges, structural failures surrounding the appliance, and acts of God.
- Content losses of food or other content due to spoilage.
- Incidental or consequential damages
- Parts and labor costs for the following will not be considered as warranty:
 - Plastic cabinet liners.
 - Punctured evaporator that voids the warranty on the complete sealed system.
- Shipping and handling costs associated with the replacement of the unit.
- Repairs performed by unauthorized servicers.
- Service calls that are related to external problems, such as abuse, misuse, inadequate electrical power, accidents, fire, floods, or any other acts of God.
- Failure of the product if it is used for other than its intended purpose.
- The warranty does not apply outside the Continental USA.
- Surcharges including but not limited to, any after hour, weekend, or holiday service calls, tolls, ferry trip charges, or mileage expense for service calls to remote areas.

In no event shall WestBend Products have any liability or responsibility whatsoever for damage to surrounding property, including cabinetry, floors, ceilings, and other structures and/or objects around the product. Also excluded from this warranty are scratches, nicks, minor dents, and other cosmetic damages on external surfaces and exposed parts; Products on which the serial numbers have been altered, defaced or removed; service visits for customer education, or visits where there is nothing wrong with the product; correction of installation problems (you are solely responsible for any structure and setting for the product, including all electrical, plumbing and/or other connecting facilities, for proper foundation/flooring, and for any alterations including without limitation cabinetry, walls, floors, shelving etc., as well as the resetting of breakers or fuses.

OUT OF WARRANTY PRODUCT

WestBend Products is under no obligation, at law or otherwise, to provide you with any concessions, including repairs, pro-rates, or product replacement, once this warranty has expired.

WARRANTY – REFRIGERATION - COMPRESSOR



WEST BEND®

Manual De Instrucciones Del Refrigerador/Congelador



Modelo: Serie WBRA750



Registre este y otros productos West Bend® a través de nuestro sitio web:
[https://westbend.thelegacycompanies.com/
support/tickets/new?ticket_form=product_registration](https://westbend.thelegacycompanies.com/support/tickets/new?ticket_form=product_registration)
No es necesario registrar el producto para activar la garantía.

Instrucciones De Seguridad	2
Conozca Su Refrigerador/Congelador	3
Instrucciones De Instalación	3
Conexión Eléctrica	4-5
Cómo Usar El Aparato	5
Luz Interior	5
Descongelar Su Refrigerador/Congelador	6
Congelar Alimentos Frescos	6
Cuidado y Mantenimiento	7-8
Resolución De Problemas	8
Garantía	9

GUARDE ESTE MANUAL PARA FUTURAS CONSULTAS

Español

INSTRUCCIONES DE SEGURIDAD

Para su seguridad personal, siga las siguientes instrucciones:

1. Los circuitos del refrigerador/congelador deben estar aislados. El área de la sección transversal del cable debe ser superior a 0,75 mm². El enchufe de alimentación debe tener su propio tomacorriente y este debe estar conectado a tierra ya que el adaptador puede provocar que se sobrecaliente.
2. El voltaje y la frecuencia de este producto deben ser de **115 V 60 Hz**. Póngase en contacto con el centro de mantenimiento local o con el distribuidor si el cable está dañado.
3. Desconecte la alimentación solo tirando del enchufe del tomacorriente directamente, pero no por el cable.
4. No dañe el circuito refrigerante.
5. Este aparato no está diseñado para que lo usen personas (incluidos) niños con capacidades físicas, sensoriales o mentales reducidas, o falta de experiencia y conocimientos salvo que se les haya brindado supervisión o instrucción respecto al uso del aparato por parte de una persona responsable de su seguridad.
6. Se debe supervisar a los niños para asegurarse de que no jueguen con el aparato.
7. Mantenga las aberturas de ventilación, en la cubierta del aparato o en la estructura incorporada, sin obstrucciones.
8. Antes de deshacerse de su refrigerador o congelador antiguo.
 - Retire las puertas.
 - Deje los estantes en su lugar para que los niños no puedan entrar con facilidad.
9. No guarde sustancias explosivas en este aparato, como latas de aerosol con propelente inflamable. Este aparato está diseñado para uso doméstico y otros similares como:
 - Las áreas de cocina para el personal en tiendas, oficinas y otros entornos de trabajo.
 - Casas rurales y clientes en hoteles, moteles y otros entornos de tipo residencial.
 - Establecimientos tipo bed and breakfast.
 - Servicios de catering y similares no relacionadas con establecimientos de venta minorista.
10. No use aparatos eléctricos dentro de los compartimentos para guardar alimentos del aparato, a menos que los recomiende el fabricante.
11. Este aparato puede ser usado por niños a partir de los 8 años, y por personas con capacidades físicas, mentales o sensoriales reducidas o falta de conocimientos o experiencia si se les ha brindado supervisión o instrucción respecto al uso del aparato de forma segura y entienden los riesgos que implica. Los niños no deben jugar con el aparato. Los niños sin supervisión no deben realizar la limpieza ni el mantenimiento del aparato.
12. Esta unidad debe instalarse en un lugar protegido de la intemperie, como el viento, la lluvia, las salpicaduras de agua o la luz solar. Solo para uso en interiores. No apto para uso en exteriores.



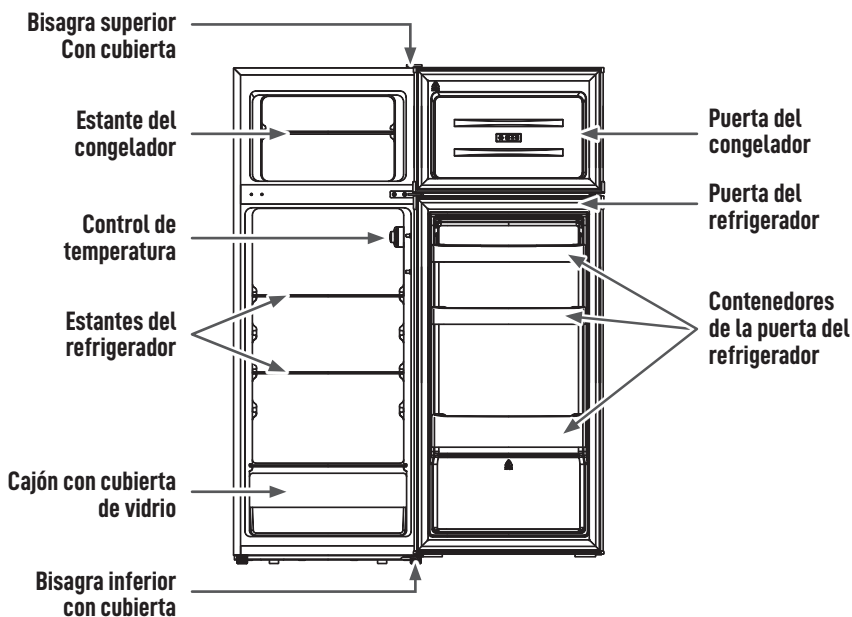
ADVERTENCIA:

1. El refrigerante de este producto es R600a, que es inflamable. Por lo tanto, tenga cuidado de no dañar el sistema de refrigeración durante el transporte y la instalación.
2. Cuando se produzcan fugas de refrigerante de su contenedor, no tire del enchufe, ni para sacarlo ni para ponerlo, ya que pueden saltar chispas y provocar un incendio.
3. No salpique agua en la parte posterior del aparato, ya que puede causar un mal funcionamiento o una descarga eléctrica.
4. No guarde materiales inflamables como éter, benceno, gas LP y pegamento, etc. en el refrigerador o congelador.
5. No coloque bebidas embotelladas en el congelador para evitar que se rompan.
6. Se recomienda no colocar objetos en la parte superior del aparato que sean magnéticos o que estén llenos de agua. Es posible que los componentes electrónicos no funcionen de manera constante si entra agua. No guarde objetos costosos o sensibles a la temperatura, como suero, bacterias, etc.
7. **ELIMINACIÓN:** No elimine este producto como residuo municipal sin clasificar. La recolección de este producto se debe realizar por separado para su tratamiento especial.
8. **PELIGRO:** Riesgo de incendio o explosión. Refrigerante inflamable utilizado. No utilice dispositivos mecánicos para descongelar el refrigerador. No pinche el tubo de refrigerante.
9. **PELIGRO:** Riesgo de incendio o explosión. Refrigerante inflamable utilizado. Para ser reparado solo por personal de servicio capacitado. Utilice solo piezas de servicio autorizadas por el fabricante. Cualquier equipo de reparación utilizado debe estar diseñado para refrigerantes inflamables. Siga todas las instrucciones de reparación del fabricante. No pinche el tubo de refrigerante.
10. **PRECAUCIÓN:** riesgo de incendio o explosión Deseche el refrigerador de manera adecuada de acuerdo con las regulaciones federales o locales aplicables. Refrigerante inflamable utilizado.
11. **PRECAUCIÓN:** Riesgo de incendio o explosión debido a la perforación de tuberías de refrigerante; siga con atención las instrucciones de manipulación. Refrigerante inflamable utilizado.

GUARDE ESTAS INSTRUCCIONES SOLO PARA USO DOMÉSTICO

¡Felicidades Por Su Compra De Un Refrigerador/Congelador West Bend®!

CONOZCA SU REFRIGERADOR/CONGELADOR



(El producto puede estar sujeto a cambios sin previo aviso)

INSTRUCCIONES DE INSTALACIÓN

ANTES DE USAR EL APARATO

1. Retire el embalaje exterior e interior.
2. Compruebe que tiene todas las siguientes piezas:

2	Estantes del refrigerador
1	Cajones de verduras
1	Cubierta para cajones de vidrio
1	Estante del congelador
1	Manual de instrucciones

3. Antes de conectar la unidad a una fuente de alimentación, déjela en posición vertical durante aproximadamente **2 horas**. Esto reducirá la posibilidad de un mal funcionamiento en el sistema de refrigeración debido a la manipulación durante el transporte.
4. Limpie la superficie interior con agua tibia y un paño suave.

INSTRUCCIONES DE INSTALACIÓN

INSTALACIÓN DEL APARATO

Coloque su refrigerador/congelador en un piso que sea lo suficientemente resistente como para soportarlo cuando esté completamente lleno.

Para nivelar el refrigerador/congelador, ajuste las patas de nivelación situadas en la parte inferior del mismo.

DEJE 13 CM DE ESPACIO ENTRE LA PARTE POSTERIOR Y LOS LADOS DEL APARATO, LO QUE PERMITE LA CIRCULACIÓN ADECUADA DE AIRE PARA ENFRIAR EL COMPRESOR Y EL CONDENSADOR.

Coloque el aparato alejado de la luz solar directa y de fuentes de calor (estufa, calefactor, radiador, etc.). La luz solar directa puede afectar el recubrimiento acrílico y las fuentes de calor pueden aumentar el consumo eléctrico. Las temperaturas ambiente extremadamente frías también pueden hacer que el refrigerador/congelador no funcione correctamente.

Evite ubicar el aparato en áreas húmedas.

Enchufe el aparato en un tomacorriente de pared exclusivo debidamente instalado y conectado a tierra. Bajo ninguna circunstancia corte o retire la tercera clavija (tierra) del cable de alimentación. Si tiene alguna pregunta relacionada con la alimentación o la conexión a tierra, debe dirigirse a un electricista certificado.

CONEXIÓN ELÉCTRICA

INSTALACIÓN DEL APARATO

El uso inapropiado del enchufe de conexión a tierra puede derivar en un riesgo de descarga eléctrica. Si el cable de alimentación está dañado, debe ser reemplazado en un centro de servicio autorizado de West Bend Products.

Este aparato debe estar debidamente conectado a tierra para su seguridad. El cable de alimentación de este aparato está equipado con un enchufe de tres clavijas que se acopla con los enchufes de pared de tres clavijas estándar para minimizar la posibilidad de descarga eléctrica.

Bajo ninguna circunstancia corte o retire la tercera clavija (tierra) del cable de alimentación suministrado.

Este aparato requiere un tomacorriente estándar de 115 voltios ~/60 Hz con conexión a tierra de tres clavijas.

El cable debe estar asegurado detrás del aparato y no debe dejarse expuesto o colgando para evitar lesiones accidentales.

Nunca desenchufe el aparato tirando del cable de alimentación. Sujete siempre el enchufe con firmeza y tire hacia afuera del receptáculo.

No use un cable de extensión con este aparato. Si el cable de alimentación es demasiado corto, pida a un técnico de servicio o electricista calificado que instale un tomacorriente cerca del aparato.

CABLE DE EXTENSIÓN

Debido a posibles peligros de seguridad bajo ciertas condiciones, se recomienda encarecidamente que no use un cable de extensión con este aparato. Sin embargo, si debe usar un cable de extensión, es absolutamente necesario que sea un cable de extensión de tres hilos con conexión a tierra de 3 hilos con un enchufe y toma de tierra y que la clasificación eléctrica del cable sea de 115 voltios y al menos 10 amperios.

SUPRESOR DE SOBRETENSIÓN

La mayoría de los electrodomésticos usan una serie de placas eléctricas de control para funcionar. Estos tableros son muy susceptibles a las variaciones de corriente y podrían dañarse o destruirse.

Si el aparato se va a usar en un área o si su ciudad /país es propenso a los cortes/interrupciones de energía; se recomienda que use un supresor de sobretensión para todos los aparatos eléctricos que use. El supresor de sobretensión que elija, debe bloquear una variación de electricidad alta para poder proteger el aparato al que está conectado. Si tiene alguna pregunta sobre el tipo y tamaño del supresor de sobretensión, póngase en contacto con un electricista autorizado en su área.

Los daños debidos a sobretensiones no se consideran un defecto cubierto por el fabricante y anularán la garantía de su producto.

CÓMO USAR EL APARATO

AJUSTE DEL CONTROL DE TEMPERATURA

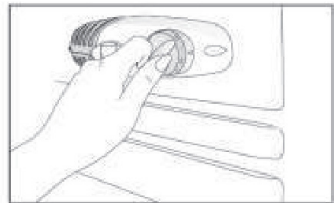
Su aparato tiene un solo control para regular la temperatura en el compartimento. El control de temperatura se encuentra en la parte superior derecha del compartimento.

La primera vez que encienda la unidad, ajuste el control de temperatura en "7". El rango del control de temperatura es de la posición "0" a "7". Después de 24 a 48 horas, ajuste el control de temperatura al que mejor se adapte a sus necesidades. El ajuste de "5" es el adecuado para uso doméstico o de oficina.

Para apagar el refrigerador/congelador, gire el control de temperatura a "0".

NOTA:

- Al girar el control de temperatura a la posición "0" se detiene el ciclo de enfriamiento, pero no se apaga la alimentación de la unidad.
- Si el aparato está desenchufado, perdió energía o está apagado, debe esperar de 3 a 5 minutos antes de reiniciarlo. Si intenta reiniciar antes de este tiempo, el aparato no funcionará.



LUZ INTERIOR

Al abrir la puerta, la luz se ENCENDERÁ automáticamente. Al cerrar la puerta, la luz se APAGARÁ automáticamente.

NOTA:

Si el aparato está desenchufado, perdió energía o está apagado, debe esperar de 3 a 5 minutos antes de reiniciarlo. Si intenta reiniciar antes de este tiempo, el refrigerador/congelador no funcionará.

NOTA:

- No recomendamos instalar el refrigerador/congelador donde la temperatura caerá por debajo de 13 °C (50 °F) o subirá por encima de 43 °C (110 °F). El compresor no podrá mantener las temperaturas adecuadas dentro del refrigerador/congelador.
- Para instalaciones donde las temperaturas caerán por debajo de 13 °C (50 °F), ajuste el control de temperatura del congelador al ajuste "más frío". Esto mejorará el funcionamiento del refrigerador/congelador en estas condiciones.

DESCONGELAR SU REFRIGERADOR/CONGELADOR

¿Cuándo? Para un funcionamiento más eficiente y un consumo mínimo de energía, descongele el compartimento del congelador cuando la escarcha en las paredes del refrigerador sea excesiva o de 1,6 cm de espesor.

No es necesario descongelar el compartimento del refrigerador, ya que el hielo que se deposita en la pared posterior interior se descongela automáticamente. El hielo puede depositarse en la pared posterior interna durante el funcionamiento del compresor; más tarde, cuando el compresor no esté en funcionamiento, el hielo se descongelará y las gotas de agua se recogerán y drenarán a través de la salida de la pared posterior interna hacia la bandeja de drenaje situada encima del compresor, desde donde se evapora.

¿Cómo?

- Restablezca el termostato a la posición "0" y desconecte la fuente de alimentación.
- Retire los alimentos congelados del congelador y colóquelos en un recipiente frío para protegerlos.
- Deje la puerta abierta por un tiempo para que pueda eliminar la escarcha con facilidad.
- Utilice un raspador de plástico, pero tenga cuidado de no dañar las superficies interiores del congelador.
- Limpie la escarcha y el hielo raspados antes de que se descongele por completo.

PRECAUCIÓN: *No use agua hirviendo, ya que puede dañar las piezas de plástico. Además, nunca use un instrumento afilado o metálico para eliminar la escarcha, ya que puede dañar las bobinas de refrigeración y anular la garantía. Recomendamos usar un raspador de plástico.*

CONGELAR ALIMENTOS FRESCOS

- El uso correcto del aparato, el envasado adecuado de los alimentos, la temperatura correcta y tener en cuenta las precauciones higiénicas influirán de manera considerable en la calidad de la congelación de los alimentos o el almacenamiento de los alimentos congelados.
- Este compartimento está diseñado para guardar alimentos congelados durante mucho tiempo.
- La vida útil de los alimentos congelados varía y no se debe exceder el tiempo de almacenamiento recomendado.
- Los alimentos preenvasados congelados comercialmente deben almacenarse de acuerdo con las instrucciones del fabricante de alimentos congelados en un compartimento de tres estrellas para alimentos congelados o en el congelador doméstico.
- Coloque los alimentos congelados en el congelador lo antes posible después de la compra. Si hay instrucciones en el paquete, sígalas atentamente en lo que respecta a los tiempos de conservación.
- Seleccione con cuidado los alimentos que vaya a congelar, deben ser de calidad adecuada y aptos para congelarse.
- Use el envase correcto y envuélvalo bien ajustado.
- El envase debe ser hermético y no debe tener fugas, ya que esto podría causar una pérdida importante de vitaminas y la deshidratación de los alimentos.
- Las láminas y las bolsas deben ser lo suficientemente suaves como para envolver bien los alimentos.
- Al preparar alimentos para congelar, tenga en cuenta las precauciones sanitarias.
- Marque los paquetes con los siguientes datos: tipo y cantidad de alimentos y la fecha de carga.
- Es extremadamente importante que los alimentos se congelen lo antes posible.
- Si la carga es demasiado grande, se reduce la calidad de la congelación, lo que afecta a la calidad de los alimentos congelados.

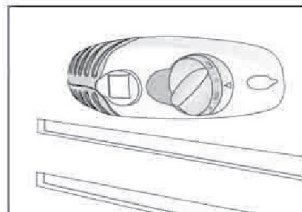
CUIDADO Y MANTENIMIENTO

INVERTIR EL GIRO DE LA PUERTA DEL APARATO

Este refrigerador/congelador tiene la capacidad de abrir la puerta desde el lado izquierdo o derecho. La unidad se le entrega con la puerta que abre desde el lado izquierdo. Si desea invertir el sentido de apertura, póngase en contacto con el servicio técnico para obtener instrucciones al respecto.

CAMBIO DE LA BOMBILLA

1. Desenchufe el cable de alimentación de CA de la pared.
2. Apriete al mismo tiempo las lengüetas de la parte superior e inferior de la tapa de la bombilla
3. Retire la cubierta de la bombilla.
4. Desenrosque la bombilla.
5. Reemplace con una bombilla de 10 vatios que tenga la misma forma y tamaño.
6. Vuelva a instalar la cubierta de la bombilla.



LIMPIEZA DEL APARATO

- Desenchufe el aparato y retire los alimentos y las cestas.
- Lave el interior con una solución de agua tibia y bicarbonato de sodio. La solución debe ser de alrededor 2 cucharadas de bicarbonato de sodio por un litro de agua.
- Lave las cestas con una solución de detergente suave.
- El exterior de la unidad debe limpiarse con detergente suave y agua tibia.

PRECAUCIÓN

No desenchufar el refrigerador/congelador podría provocar una descarga eléctrica o lesiones personales.

CORTES DE ELECTRICIDAD

La mayoría de los cortes de electricidad se solucionan en pocas horas y no deberían afectar a la temperatura de su refrigerador/congelador si reduce al mínimo el número de veces que abre la puerta. Si no va a haber electricidad durante un período de tiempo prolongado, debe tomar las medidas adecuadas para proteger sus alimentos.

VACACIONES

Vacaciones cortas: deje la unidad en funcionamiento durante las vacaciones de menos de tres semanas.

Vacaciones largas: si el aparato no se va a usar durante varios meses, retire todos los alimentos y desenchufe el cable de alimentación. Limpie y seque bien el interior. Para evitar el olor y el crecimiento de moho, deje la puerta ligeramente abierta, bloquéela si es necesario.

MOVER EL APARATO

- Retire toda la comida.
- Pegue con cinta adhesiva de forma segura todos los artículos sueltos dentro de su aparato.
- Gire los tornillos de nivelación hasta la base para evitar daños.
- Pegue con cinta adhesiva la puerta cerrada.
- Asegúrese de que la unidad permanezca en posición vertical durante el transporte.

CUIDADO Y MANTENIMIENTO

CONSEJOS PARA EL AHORRO DE ENERGÍA

- El aparato debe estar ubicado en el área más fresca de la habitación, lejos de electrodomésticos que producen calor o de los conductos de calefacción, y lejos de la luz solar directa.
- Deje que los alimentos calientes se enfríen a temperatura ambiente antes de colocarlos en la unidad. La sobrecarga de la unidad obliga al compresor a funcionar durante más tiempo. Los alimentos que se congelan muy lento pueden perder calidad o estropearse. Asegúrese de envolver bien los alimentos y de secar los recipientes antes de colocarlos en el aparato. Esto reduce la acumulación de escarcha dentro del congelador.
- Organice y etiquete los alimentos para reducir las aperturas de puertas y las búsquedas prolongadas. Retire tantos artículos como sea necesario a la vez y cierre la puerta lo antes posible.

RESOLUCIÓN DE PROBLEMAS

Problema	Causa posible
La unidad no funciona	<ul style="list-style-type: none">• No está enchufado.• El disyuntor se disparó o hay un fusible fundido.
El compresor se enciende y apaga con frecuencia	<ul style="list-style-type: none">• La temperatura ambiente es más alta de lo normal.• Se agregó una gran cantidad de alimentos al refrigerador/congelador.• La puerta se abre con demasiada frecuencia.• La puerta no está cerrada por completo.• El control de temperatura no está configurado correctamente.• La junta de la puerta no sella bien.• El refrigerador/congelador no tiene las holguras correctas.
Vibraciones.	Compruebe que el refrigerador/congelador esté nivelado.
La unidad parece hacer demasiado ruido.	<ul style="list-style-type: none">• El ruido de traqueteo puede provenir del flujo del refrigerante, lo cual es normal.• A medida que termina cada ciclo, es posible que escuche sonidos de gorgoteo causados por el flujo de refrigerante en su refrigerador/congelador.• La contracción y expansión de las paredes interiores puede provocar ruidos de chasquidos y crujidos.• El producto no está estable.
La puerta no cierra bien.	<ul style="list-style-type: none">• El producto no está estable.• La puerta está invertida y no está instalada correctamente.• La junta está sucia.• Las cestas están fuera de posición.

SU WEST BEND GARANTÍA DEL PRODUCTO

Fije su recibo de ventas aquí. Para obtener servicio bajo esta garantía se necesita prueba de la fecha de compra original.

QUÉ CUBRE: GARANTÍA LIMITADA DE UN AÑO

West Bend garantiza que el producto está libre de defectos de materiales o mano de obra durante un periodo de doce (12) meses a partir de la fecha de compra o entrega al propietario original. El plazo anterior empieza a contar a partir de la fecha de compra y no se paralizará, prorrogará ni suspenderá por ningún motivo, a menos que se describa en detalle en el documento de garantía. Durante un año a partir de la fecha de compra por parte del propietario original, los productos West Bend repararán o sustituirán, a su elección, cualquier pieza del producto que resulte defectuosa en cuanto a materiales o mano de obra en condiciones normales de uso. West Bend Products le proporcionará un producto razonablemente similar que sea nuevo o reconstruido de fábrica. Durante este periodo, West Bend Products proporcionará todas las piezas y la mano de obra necesarias para corregir dichos defectos de forma gratuita, siempre que el producto se haya instalado y utilizado de acuerdo con las instrucciones escritas de este manual. En alquiler o uso comercial, el periodo de garantía es de 90 días. Todos los electrodomésticos West Bend de 3,5 pies cúbicos de capacidad o menos se deben llevar/enviar al centro de servicio técnico de electrodomésticos para su reparación.

GARANTÍA LIMITADA DEL SEGUNDO AL QUINTO AÑO

Durante el período desde el segundo hasta el quinto año después de la fecha de compra original, West Bend Products ofrecerá el reemplazo gratis del compresor debido a un mal funcionamiento. Será responsable de los cargos por envío y mano de obra. Para uso de alquiler o comercial, la garantía limitada para el compresor es de un año y nueve meses. Los costos de llevar el producto al centro de servicio y de vuelta a la casa del usuario, siempre que sean necesarios, son responsabilidad del usuario.

EXCLUSIONES DE GARANTÍA / LO QUE NO ESTÁ CUBIERTO:

La cobertura de la garantía aquí descrita excluye todos los defectos o daños que no sean culpa directa de West Bend Products, incluidos, entre otros, uno o más de los siguientes:

- El incumplimiento de cualquier código, normativa o ley estatal, local, municipal o del condado en materia de electricidad, plomería y/o construcción, incluido el hecho de no instalar el producto en estricta conformidad con los códigos y normativas locales en materia de incendios y construcción.
- Cualquier fuerza o factor externo, básico y/o medioambiental, incluidos, entre otros, la lluvia, el viento, la arena, las inundaciones, los incendios, los aludes de lodo, las temperaturas bajo cero, la humedad excesiva o la exposición prolongada a la humedad, los rayos, las subidas de tensión, los fallos estructurales en torno al aparato y los casos de fuerza mayor.
- Pérdidas de contenido de alimentos u otro contenido debido a deterioro.
- Daños directos o indirectos
- Los costos por piezas y mano de obra por los siguientes no se considerarán bajo la garantía:
 - Revestimiento de gabinetes de plástico.
 - Vaporizador perforado que anula la garantía de todo el sistema sellado.
- Costos por envío y manejo asociados con el reemplazo de la unidad.
- Reparaciones efectuadas por agentes de servicio no autorizados.
- Llamadas de servicio relacionadas con problemas externos, como abuso, mal uso, electricidad inadecuada, accidentes, incendios, inundaciones, o cualquier otro desastre natural.
- Falla del producto si no se usa con el fin previsto.
- La garantía no aplica fuera del territorio continental de los EE.UU.
- Sobrecargos por, incluyendo pero no limitado a, cualquier llamada después de horario laboral, en fines de semanas, o días festivos, así como cargos por peaje, viajes de transportación, o gastos de kilometraje por llamadas de servicio a áreas remotas.

En ningún caso West Bend Products será responsable de ninguna manera por daños a la propiedad alrededor del producto, incluyendo gabinetes, pisos, techos, y otras estructuras y/u objetos cerca del producto. También se excluyen de esta garantía los rayones, muecas, abolladuras pequeñas y daños cosméticos en superficies externas y piezas expuestas; productos en los que el número de serie haya sido alterado, borrado o eliminado; visitas de servicio para instrucción del usuario o visitas en las que no haya ningún problema con el producto; corrección de problemas de instalación si no hay ningún problema con el producto (usted es el único responsable de cualquier estructura y de la configuración del producto, incluyendo las instalaciones eléctricas, de plomería y/o de conexiones, de base/piso adecuado, y por cualquier modificación, incluyendo, sin limitarse a, gabinetes, paredes, pisos, estantes, etc., así como del restablecimiento de los fusibles y disyuntores.

PRODUCTO NO CONTEMPLADO EN LA GARANTÍA

West Bend Products no tiene ninguna obligación, ni legal ni de otro tipo, de proporcionarle ninguna concesión, incluidas reparaciones, prorratesos o sustitución de productos, una vez que esta garantía expire.

GARANTÍA - REFRIGERACIÓN - COMPRESOR



WEST BEND®

Manuel D'utilisation Du Réfrigérateur/Congélateur



Modèles : WBRA750 Series



Enregistrez ce produit et d'autres produits West Bend® via notre site Web :
[https://westbend.thelegacycompanies.com/
support/tickets/new?ticket_form=product_registration](https://westbend.thelegacycompanies.com/support/tickets/new?ticket_form=product_registration)
Vous n'avez pas à enregistrer le produit pour profiter de la garantie.

Consignes De Sécurité Importantes	2
Conservez Ces Instructions Usage Domestique Uniquement	3
Instructions D'installation	3-4
Raccordement Électrique	4-5
Utilisation De Votre Appareil	5
Éclairage Intérieur	5
Dégivrer Votre Réfrigérateur/Congélateur	6
Congeler Des Aliments Frais	6
Soin Et Entretien	7-8
Dépannage	8
Garantie	9

CONSERVEZ CE MODE D'EMPLOI POUR RÉFÉRENCE ULTÉRIEURE

Français

CONSIGNES DE SÉCURITÉ IMPORTANTES

Pour votre sécurité personnelle, veuillez suivre les instructions ci-dessous :

1. Les circuits du réfrigérateur/congélateur doivent être isolés. La surface transversale du fil doit être supérieure à 0,75 mm². La fiche d'alimentation doit avoir sa propre prise et être mise à la terre, car un adaptateur peut entraîner une surchauffe de la prise.
2. La tension et la fréquence de ce produit doivent être de **115 V 60 Hz**. Contactez le poste de maintenance local ou le détaillant si le fil est endommagé.
3. Débranchez l'alimentation uniquement en retirant la fiche d'alimentation de la prise directement, mais pas par le fil.
4. N'endommagez pas le circuit de réfrigération.
5. Cet appareil n'est pas conçu pour être utilisé par des personnes (y compris des enfants) à capacités physiques, sensorielles ou intellectuelles réduites ou manquant d'expérience et de connaissances, à moins qu'elles ne soient sous surveillance ou qu'elles n'aient été informées quant à l'utilisation de l'appareil par une personne responsable de leur sécurité.
6. Les enfants doivent rester sous surveillance, afin de s'assurer qu'ils ne jouent pas avec l'appareil.
7. Gardez l'ouverture de ventilation, dans l'enceinte de l'appareil ou dans la structure intégrée, libre de toute obstruction.
8. Avant de jeter votre ancien réfrigérateur/congélateur :
 - Enlevez les portes;
 - Laissez les étagères et les tiroirs dans un endroit de sorte que les enfants ne puissent pas monter à l'intérieur facilement.
9. Ne stockez pas dans cet appareil des substances explosives telles que des aérosols avec un propulseur inflammable. Cet appareil est destiné à être utilisé dans un cadre domestique et dans des contextes similaires tels que :
 - Les cuisines du personnel dans les magasins, les bureaux et les autres environnements de travail;
 - Les maisons de ferme et par les clients dans des hôtels, des motels et d'autres types d'environnements résidentiels;
 - Les environnements de type chambres d'hôtes;
 - Les applications telles que la restauration et la vente au détail.
10. N'utilisez pas d'appareil électrique à l'intérieur des compartiments de stockage des aliments de l'appareil, sauf s'ils sont du type recommandé par le fabricant.
11. Cet appareil peut être utilisé par des enfants âgés de 8 ans et plus et par des personnes ayant des limitations physiques, sensoriels, mentales, si elles sont supervisées par des personnes ayant déjà expérimenté le produit ou si elles ont pris connaissance du manuel d'instructions de l'appareil et qu'elles sont en mesure de l'utiliser d'une manière sûre et d'en comprendre les dangers. Les enfants ne doivent pas jouer avec l'appareil. Le nettoyage et l'entretien ne doivent pas être effectués par des enfants sans surveillance.
12. Cet appareil doit être installé dans un endroit protégé des intempéries, comme le vent, la pluie, les projections d'eau et le soleil. Pour usage intérieur uniquement. Ne pas utiliser en extérieur.



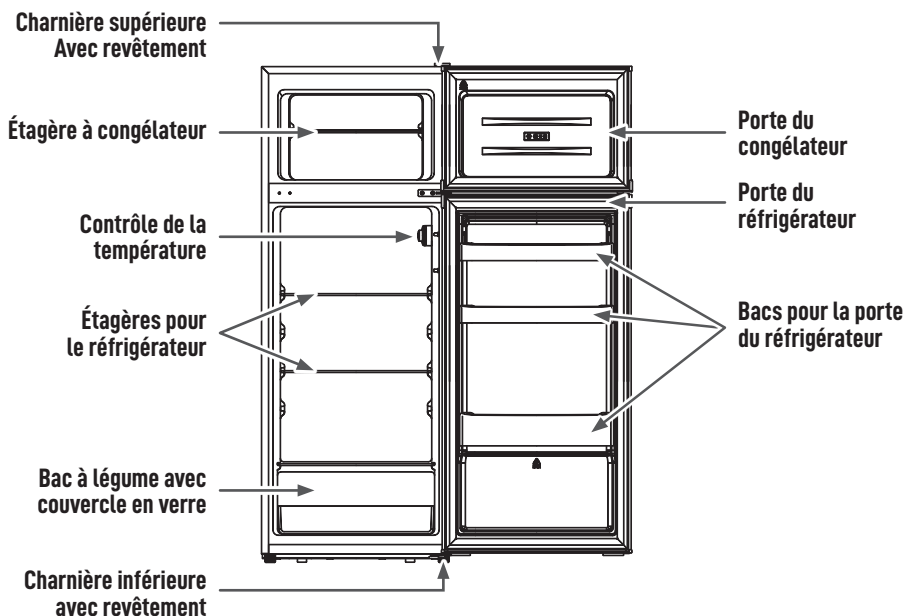
AVERTISSEMENT :

1. Le réfrigérant de ce produit est le R600a, qui est inflammable. Veillez donc à ne pas endommager le système de refroidissement pendant le transport et l'installation.
2. Lorsque du réfrigérant fuit de son contenant, ne tirez pas le bouchon, ni vers l'extérieur ni vers l'intérieur, car cela pourrait provoquer des étincelles et des risques d'incendie.
3. Ne projetez pas d'eau à l'arrière de l'appareil, car cela pourrait provoquer un dysfonctionnement ou un choc électrique.
4. Ne stockez pas de matériaux inflammables tels que l'éther, le benzène, le gaz propane et la colle, etc. dans le réfrigérateur/congélateur.
5. Ne placez pas de boisson en bouteille dans le congélateur, afin d'éviter qu'elle ne se casse.
6. Il est recommandé de ne pas placer d'objet sur le dessus de l'appareil qui est magnétiquement lourd, ni de le remplir d'eau. Les composants électroniques peuvent ne pas fonctionner de manière constante si de l'eau pénètre à l'intérieur. Ne stockez pas d'objet coûteux ou impressionnable à la température et, par exemple, du sérum, de la bactérie, etc.
7. **ÉLIMINATION** : ne jetez pas ce produit avec les déchets municipaux non triés. La collecte de ces déchets séparément pour un traitement spécial est nécessaire.
8. **DANGER** – Risque d'incendie ou d'explosion. Liquide réfrigérant inflammable utilisé. N'utilisez pas d'appareils mécaniques pour dégivrer le réfrigérateur. Ne percez pas la tuyauterie du réfrigérant.
9. **DANGER** – Risque d'incendie ou d'explosion. Liquide réfrigérant inflammable utilisé. Seulement un personnel qualifié peut réparer ce produit. N'utilisez que des pièces de rechange autorisées par le fabricant. Tout équipement de réparation utilisé doit être conçu pour les réfrigérants inflammables. Suivez toutes les instructions de réparation du fabricant. Ne percez pas la tuyauterie du réfrigérant.
10. **MISE EN GARDE** – Risque d'incendie ou d'explosion. Disposez du réfrigérateur correctement en respectant les réglementations fédérales ou locales applicables. Liquide réfrigérant inflammable utilisé.
11. **MISE EN GARDE** – Risque d'incendie ou d'explosion si le tube du liquide réfrigérant est perforé; suivre attentivement les directives de manipulation. Liquide réfrigérant inflammable utilisé.

CONSERVEZ CES INSTRUCTIONS USAGE DOMESTIQUE UNIQUEMENT

Félicitations Pour Votre Achat D'un Réfrigérateur/Congélateur West Bend®!

APPRENEZ-EN PLUS SUR VOTRE RÉFRIGÉRATEUR/CONGÉLATEUR



(Le produit peut être modifié sans préavis)

INSTRUCTIONS D'INSTALLATION

AVANT D'UTILISER VOTRE APPAREIL

1. Retirez l'emballage extérieur et intérieur.
2. Vérifiez que vous disposez de toutes les pièces suivantes :

2	Étagères pour le réfrigérateur
1	Bac à légumes
1	Couvercle du bac à légumes en verre
1	Étagère à congélateur
1	Manuel d'utilisation

3. Avant de brancher l'appareil dans la source d'alimentation, laissez-le debout pendant environ **2 heures**. Ceci réduira la possibilité d'un mauvais fonctionnement dans le système de refroidissement suivant la manipulation durant le transport.
4. Nettoyez la surface intérieure à l'eau tiède à l'aide d'un chiffon doux.

INSTRUCTIONS D'INSTALLATION

INSTALLATION DE VOTRE APPAREIL

Placez votre réfrigérateur/congélateur sur un sol suffisamment solide pour le supporter lorsqu'il est complètement plein.

Pour mettre à niveau votre réfrigérateur/congélateur, ajustez les pieds de mise à niveau au bas de l'appareil.

LAISSEZ UN ESPACE DE 5 POUÇES ENTRE L'ARRIÈRE ET LES CÔTÉS DE L'APPAREIL, CE QUI PERMET UNE CIRCULATION D'AIR ADÉQUATE POUR REFROIDIR LE COMPRESSEUR ET LE CONDENSEUR.

Tenez l'appareil à l'écart de la lumière directe du soleil et des sources de chaleur (cuisinière, appareil de chauffage, radiateur, etc.). La lumière directe du soleil peut affecter le revêtement acrylique et les sources de chaleur peuvent augmenter la consommation électrique. Des températures ambiantes extrêmement froides peuvent également empêcher le réfrigérateur/congélateur de fonctionner correctement.

Évitez de placer l'appareil dans des zones humides.

Branchez l'appareil dans sa propre prise murale correctement installée et mise à la terre. Ne coupez ni ne retirez en aucun cas la troisième broche (mise à la terre) du cordon d'alimentation. Toute question concernant l'alimentation et/ou la mise à la terre doit être adressée à un électricien certifié.

RACCORDEMENT ÉLECTRIQUE

INSTALLATION DE VOTRE APPAREIL

Un mauvais branchement de la prise de mise à la terre peut résulter en une électrocution. Si le cordon d'alimentation est endommagé, faites-le remplacer par un centre de service de produits West Bend agréé.

Cet appareil doit être correctement mis à la terre pour votre sécurité. Le cordon d'alimentation de cet appareil est équipé d'une prise à trois fiches, conçue pour s'adapter aux prises murales standard à trois fiches afin de minimiser les risques de choc électrique.

En aucun cas, ne coupez ni ne retirez la prise à trois fiches de mise à la terre du cordon d'alimentation fourni.

Cet appareil nécessite une prise électrique standard de 115 V ~/60 Hz avec prise de mise à la terre à trois fiches.

Le cordon doit être fixé derrière l'appareil et ne doit pas rester exposé ou suspendu pour éviter les blessures accidentelles.

Ne débranchez jamais votre appareil en tirant sur le cordon d'alimentation. Tenez toujours fermement la fiche et tirez-la directement hors de la prise.

N'utilisez pas de rallonge électrique avec cet appareil. Si le cordon d'alimentation est trop court, demandez à un électricien qualifié ou à un technicien de maintenance d'installer une prise près de l'appareil.

RALLONGE

En raison de risques potentiels pour la sécurité dans certaines conditions, il est fortement déconseillé d'utiliser de rallonge avec cet appareil. Cependant, si vous devez utiliser une rallonge, il est impératif que ce soit une rallonge pour appareil de type mise à la terre, répertoriée UL/CUL, avec une fiche et une prise de type mise à la terre, et que la capacité électrique de la rallonge soit de 115 volts et d'au moins 10 ampères.

PROTECTEUR CONTRE LES SURTENSIONS

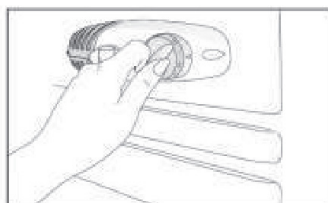
La plupart des appareils électriques utilisent une série de cartes de commande électriques pour fonctionner. Ces cartes sont très sensibles aux surtensions et pourraient être endommagées ou détruites.

Si l'appareil est utilisé dans une zone ou si votre ville / pays est sujet à des variations de tension ou des coupures de courant, il est recommandé d'utiliser un protecteur contre les surtensions pour tous les appareils électriques que vous utilisez. Le protecteur contre les surtensions que vous choisissez doit avoir un seuil de protection suffisant pour protéger l'appareil auquel il est raccordé. Si vous avez des questions concernant le type et la taille du protecteur nécessaire, contactez un électricien agréé de votre région. Les dommages dus à des surtensions ne sont pas considérés comme un défaut couvert par le fabricant et annuleront la garantie de votre produit.

UTILISATION DE VOTRE APPAREIL

RÉGLAGE DE LA TEMPÉRATURE

Votre appareil ne dispose que d'une seule commande pour réguler la température dans le compartiment. Le contrôle de la température est situé en haut à droite du compartiment.



La première fois que vous allumez l'appareil, réglez le contrôle de la température sur « 7 ». La plage du contrôle de la température va de la position « 0 » à « 7 ».

Après 24 à 48 heures, ajustez le contrôle de la température au réglage qui convient le mieux à vos besoins. Le réglage « 5 » est approprié pour une utilisation à la maison ou au bureau.

Pour éteindre le réfrigérateur/congélateur, réglez le contrôle de la température à « 0 ».

REMARQUE :

- Régler le contrôle de la température à « 0 » arrête le cycle de refroidissement mais ne coupe pas l'alimentation de l'appareil.
- Si l'appareil est débranché, a subi une coupure de courant ou a été éteint, attendez 3 à 5 minutes avant de le rallumer. Si vous essayez de le rallumer avant ce délai, l'appareil ne fonctionnera pas.

ÉCLAIRAGE INTÉRIEUR

Lorsque vous ouvrez la porte, la lumière s'allume automatiquement. Lorsque vous fermez la porte, la lumière s'éteint automatiquement.

REMARQUE :

Si l'appareil est débranché, a subi une coupure de courant ou a été éteint, attendez 3 à 5 minutes avant de le rallumer. Si vous essayez de le rallumer avant ce délai, le réfrigérateur/congélateur ne fonctionnera pas.

REMARQUE :

- Nous ne recommandons pas d'installer le réfrigérateur/congélateur à une température inférieure à 13 °C (50 °F) ou supérieure à 43 °C (110 °F), car à ces températures le compresseur ne pourra pas maintenir des températures appropriées à l'intérieur de l'appareil.
- Pour les installations où les températures descendent en dessous de 50 °F (13 °C), réglez le contrôle de température du congélateur sur le réglage le plus froid. Vous améliorerez ainsi le fonctionnement du réfrigérateur/congélateur.

DÉGIVRER VOTRE RÉFRIGÉRATEUR/CONGÉLATEUR

Quand? Pour une efficacité optimale et une consommation d'énergie minimale, dégivrez le compartiment congélateur lorsque le givre sur les parois du réfrigérateur est excessif ou atteint ¼ pouce d'épaisseur.

Il n'est pas nécessaire de dégivrer le compartiment réfrigérateur, car la glace déposée sur la paroi arrière intérieure est dégivrée automatiquement. De la glace peut se déposer sur la paroi arrière intérieure pendant le fonctionnement du compresseur. Plus tard, lorsque le compresseur est inactif, la glace dégèle et l'eau résultante s'accumule et s'écoule à travers la sortie dans la paroi arrière intérieure vers le bac de drainage situé au-dessus du compresseur, où elle s'évapore.

Comment?

- Réinitialisez le thermostat à « 0 » et débranchez l'alimentation électrique.
- Retirez les aliments congelés du réfrigérateur et placez-les dans une glacière pour les conserver.
- Laissez la porte ouverte pendant un certain temps afin de pouvoir facilement éliminer la glace.
- Utilisez un grattoir en plastique, mais veillez à ne pas endommager les surfaces intérieures du congélateur.
- Essuyez la glace raclée avant qu'elle ne soit complètement décongelée.

ATTENTION : *N'utilisez pas d'eau bouillante car cela pourrait endommager les pièces en plastique. De plus, n'utilisez jamais un instrument tranchant ou métallique pour enlever la glace, car cela pourrait endommager les serpentins de refroidissement et annuler la garantie. Nous vous recommandons d'utiliser un grattoir en plastique.*

CONGELER DES ALIMENTS FRAIS

- Une utilisation appropriée de l'appareil, un emballage adéquat des aliments, une température correcte et le respect des précautions d'hygiène influenceront considérablement la qualité de la congélation des aliments ou de leur conservation une fois congelés.
- Ce compartiment est conçu pour le stockage à long terme des aliments congelés.
- La durée de conservation des aliments congelés varie, et il ne faut pas dépasser le temps de stockage recommandé.
- Les aliments surgelés préemballés doivent être conservés conformément aux instructions du fabricant pour un compartiment de congélation trois étoiles ou un congélateur domestique.
- Placez les aliments surgelés dans le congélateur dès que possible après les avoir achetés. Si des instructions sont indiquées sur l'emballage, suivez-les attentivement en ce qui concerne les durées de conservation.
- Sélectionnez soigneusement les aliments que vous souhaitez congeler; ils doivent être de qualité appropriée et adaptés à la congélation.
- Utilisez un emballage adéquat et assurez-vous qu'il soit bien scellé.
- L'emballage doit être hermétique et étanche, car toute fuite pourrait entraîner une perte importante de vitamines et la déshydratation des aliments.
- Les feuilles d'aluminium et les sacs doivent être suffisamment souples pour envelopper hermétiquement les aliments.
- Lorsque vous préparez des aliments à congeler, prenez des précautions sanitaires.
- Étiquetez les emballages avec les informations suivantes : type et quantité d'aliments ainsi que la date de congélation.
- Il est extrêmement important que les aliments soient congelés le plus rapidement possible.
- Si le congélateur est trop plein, la qualité de la congélation est réduite, ce qui affecte la qualité des aliments congelés.

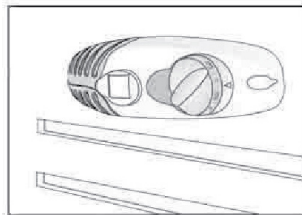
SOIN ET ENTRETIEN

INVERSER LE SENS D'OUVERTURE DE LA PORTE DE VOTRE APPAREIL

Ce réfrigérateur/congélateur a la capacité d'ouvrir la porte du côté gauche ou droit. L'appareil vous est livré avec l'ouverture de la porte du côté gauche. Si vous souhaitez inverser le sens d'ouverture, veuillez appeler le service pour obtenir des instructions.

REEMPLACER L'AMPOULE

1. Débranchez le cordon d'alimentation CA du mur.
2. Appuyez simultanément sur les languettes en haut et en bas du couvercle de l'ampoule.
3. Retirez le couvercle de l'ampoule.
4. Dévissez l'ampoule.
5. Remplacez-la par une ampoule de 10 watts de la même forme et de la même taille.
6. Réinstallez le couvercle de l'ampoule.



NETTOYER VOTRE APPAREIL

- Débranchez l'appareil, et retirez les aliments et les bacs.
- Lavez l'intérieur avec une solution d'eau chaude et de bicarbonate de soude. La solution devrait être d'environ 2 cuillères à soupe de bicarbonate de soude pour un litre d'eau.
- Lavez les paniers avec une solution détergente douce.
- L'extérieur de l'appareil doit être nettoyé avec un détergent doux et de l'eau chaude.

ATTENTION

Ne pas débrancher le réfrigérateur/congélateur pourrait entraîner un choc électrique ou des blessures.

PANNE DE COURANT

La plupart des pannes de courant sont résolues dans quelques heures et ne devraient pas affecter la température de votre réfrigérateur/congélateur si vous n'ouvrez pas trop souvent la porte. Si la coupure de courant dure plus longtemps, vous devez prendre les mesures appropriées pour protéger vos aliments.

VACANCES

Vacances courtes : laissez l'appareil allumé si vous partez en vacances pendant moins de trois semaines.

Vacances longues : si l'appareil ne sera pas utilisé pendant plusieurs mois, retirez tous les aliments et débranchez le cordon d'alimentation. Nettoyez et séchez l'intérieur à fond. Pour éviter les odeurs et les moisissures, laissez la porte légèrement ouverte, en la bloquant si nécessaire.

DÉPLACER VOTRE APPAREIL

- Retirez tous les aliments.
- Fixez solidement tous les objets mobiles à l'intérieur de votre appareil.
- Tournez les vis de mise à niveau vers le haut jusqu'à la base pour éviter tout dommage.
- Collez la porte avec du ruban adhésif pour la maintenir fermée.
- Assurez-vous que l'appareil reste en position verticale pendant le transport.

SOIN ET ENTRETIEN

CONSEILS POUR ÉCONOMISER L'ÉNERGIE

- L'appareil doit être situé à un endroit le plus frais de la pièce, loin de sources de chaleurs, comme des radiateurs ou des conduits de chauffage et de la lumière directe du soleil.
- Laisser refroidir les aliments chauds à la température ambiante avant de les placer dans l'appareil. La surcharge de l'appareil force le compresseur à fonctionner plus longtemps. Aliments qui congèlent trop lentement peuvent perdre la qualité ou se gâter. Assurez-vous de bien emballer les aliments et essuyez les contenants avant de les placer dans l'appareil. Cela réduit l'accumulation de glace à l'intérieur du congélateur.
- Organisez et étiquetez les aliments afin de réduire les ouvertures de portes et les recherches prolongées. Retirez autant d'aliments que possible à la fois et fermez la porte aussitôt.

DÉPANNAGE

Problème	Cause possible
L'appareil ne fonctionne pas	<ul style="list-style-type: none">• Non branché.• Le disjoncteur a sauté ou il y a un fusible grillé.
Le compresseur s'allume et s'éteint fréquemment.	<ul style="list-style-type: none">• La température ambiante est plus chaude que la normale.• Une grande quantité de nourriture a été ajoutée au réfrigérateur/congélateur.• La porte est ouverte trop souvent.• La porte n'est pas complètement fermée.• Le contrôle de la température n'est pas réglé correctement.• Le joint de porte ne scelle pas correctement.• Le réfrigérateur/congélateur n'a pas l'espace suffisant autour de lui pour fonctionner correctement.
Vibrations.	Vérifiez que le réfrigérateur/congélateur est à niveau.
L'appareil semble faire trop de bruit.	<ul style="list-style-type: none">• Le cliquetis peut être dû à l'écoulement du réfrigérant, ce qui est normal.• À la fin de chaque cycle, vous pouvez entendre des bruits causés par l'écoulement du réfrigérant dans votre réfrigérateur/congélateur.• La contraction et l'expansion des parois intérieures peuvent provoquer des craquements et des crépitements.• L'appareil n'est pas de niveau.
La porte ne se ferme pas correctement.	<ul style="list-style-type: none">• L'appareil n'est pas de niveau.• La porte est inversée et mal installée.• Le joint est sale.• Les bacs ne sont pas bien placés.

VOTRE GARANTIE DES PRODUITS WEST BEND

Agrafez votre reçu de vente ici. La preuve de la date d'achat originale est nécessaire pour obtenir toute réparation sous garantie.

CE QUI EST COUVERT PAR LA GARANTIE LIMITÉE D'UN AN

West Bend Products garantit que le produit est exempt de défauts de matériaux et/ou de fabrication pendant une période de douze (12) mois à compter de la date d'achat ou de livraison au propriétaire d'origine, la dernière en date étant retenue. Le délai susmentionné entre en vigueur à la date d'achat et ne peut être retardé, prorogé ou suspendu pour quelque raison que ce soit, à moins qu'il ne soit expressément décrit dans le document de garantie. Si, dans l'année suivant l'achat original, le produit West Bend présente une défectuosité de matériau ou de fabrication dans des conditions normales d'utilisation, West Bend, à sa discrétion, le réparera ou le remplacera. West Bend vous fournira un produit raisonnablement similaire, neuf ou remis à neuf en usine. Pendant cette période, West Bend fournira gratuitement toutes les pièces et la main-d'oeuvre nécessaires pour corriger ces défauts, à condition que le produit ait été installé et utilisé conformément aux instructions écrites du fabricant figurant dans le présent guide. La période de garantie est de 90 jours dans le cas d'une location ou d'un usage commercial. Tous les appareils West Bend d'une capacité de 0,1 m3 (3,5 pi3) ou moins doivent être apportés ou envoyés au centre de service pour réparation.

GARANTIE LIMITÉE DE LA DEUXIÈME À LA CINQUIÈME ANNÉE

De la deuxième à la cinquième année à compter de la date d'achat originale, West Bend remplacera gratuitement le compresseur en cas de défectuosité. La main-d'oeuvre et le transport sont à vos frais. Dans le cas d'une location ou d'une utilisation commerciale, le compresseur est garanti un an et neuf mois. Les coûts liés au transport du produit vers le centre de service et vers le domicile de l'utilisateur, le cas échéant, sont aux frais de l'utilisateur.

EXCLUSIONS AU TITRE DE LA GARANTIE: CE QUI N'EST PAS COUVERT:

La garantie décrite aux présentes exclut tous les défauts ou dommages qui ne sont pas directement imputables à West Bend, y compris, mais sans s'y limiter, un ou plusieurs des éléments suivants:

- Le non-respect des codes, réglementations ou des lois applicables en matière d'électricité, de plomberie ou de construction de l'État, de la ville ou du comté, y compris le non-respect de l'installation du produit en stricte conformité avec les réglementations et les codes locaux en matière de prévention des incendies et de construction.
- Toutes les forces et tous les facteurs externes, élémentaux ou environnementaux, y compris, mais sans s'y limiter, la pluie, le vent, le sable, les inondations, les incendies, les coulées de boue, les températures glaciales, l'humidité excessive ou l'exposition prolongée à l'humidité, la foudre, les surtensions, les défaillances structurelles entourant l'appareil et les cas de force majeure.
- Pertes de denrées alimentaires ou d'autres contenus dues à la détérioration.
- Dommages accessoires ou consécutifs.
- Les frais de pièces et de main-d'oeuvre pour les éléments suivants ne seront pas couverts au titre de la garantie :
 - Revêtements en plastique.
 - Évaporateur perforé qui annule la garantie du système scellé complet.
- Frais d'expédition et de manutention liés au remplacement de l'appareil.
- Réparations effectuées par des agents de service non autorisés.
- Appels de service liés à des problèmes externes, tels que l'abus, la mauvaise utilisation, une alimentation électrique inadéquate, les accidents, les incendies, les inondations ou tout autre cas de force majeure.
- Défaillance du produit s'il est utilisé à des fins autres que celles pour lesquelles il est conçu.
- La garantie ne s'applique pas hors des États-Unis continentaux.
- Les suppléments, y compris, mais sans s'y limiter, les appels de service après les heures d'ouverture, la fin de semaine ou les jours fériés, les péages, les frais de voyage en bateau ou les frais kilométriques pour les visites de réparation dans les régions éloignées.

En aucun cas West Bend ne peut être tenue responsable des dommages causés aux biens environnants, y compris les armoires, les parquets, les plafonds et autres structures ou objets autour du produit. Sont également exclus de cette garantie les rayures, les entailles, les petites bosses et autres dommages cosmétiques sur les surfaces externes et les parties exposées; les produits sur lesquels les numéros de série ont été modifiés, abîmés ou enlevés; les visites de service à des fins d'éducation du client, ou les visites pour lesquelles il n'y a aucun problème avec le produit; la correction des problèmes d'installation (vous êtes seul responsable de toute structure et de tout réglage pour le produit, y compris toutes les installations électriques, de plomberie et/ou autres installations de raccordement, pour une fondation ou un plancher approprié, et pour toute modification, y compris, sans limitation, les armoires, les murs, les planchers, les étagères, etc., ainsi que la réinitialisation des disjoncteurs ou des fusibles).

PRODUIT HORS GARANTIE

West Bend n'a aucune obligation, légale ou autre, de vous accorder des concessions, y compris des réparations, des prorata ou un remplacement de produit, une fois que cette garantie a expiré.

GARANTIE - RÉFRIGÉRATION - COMPRESSEUR

