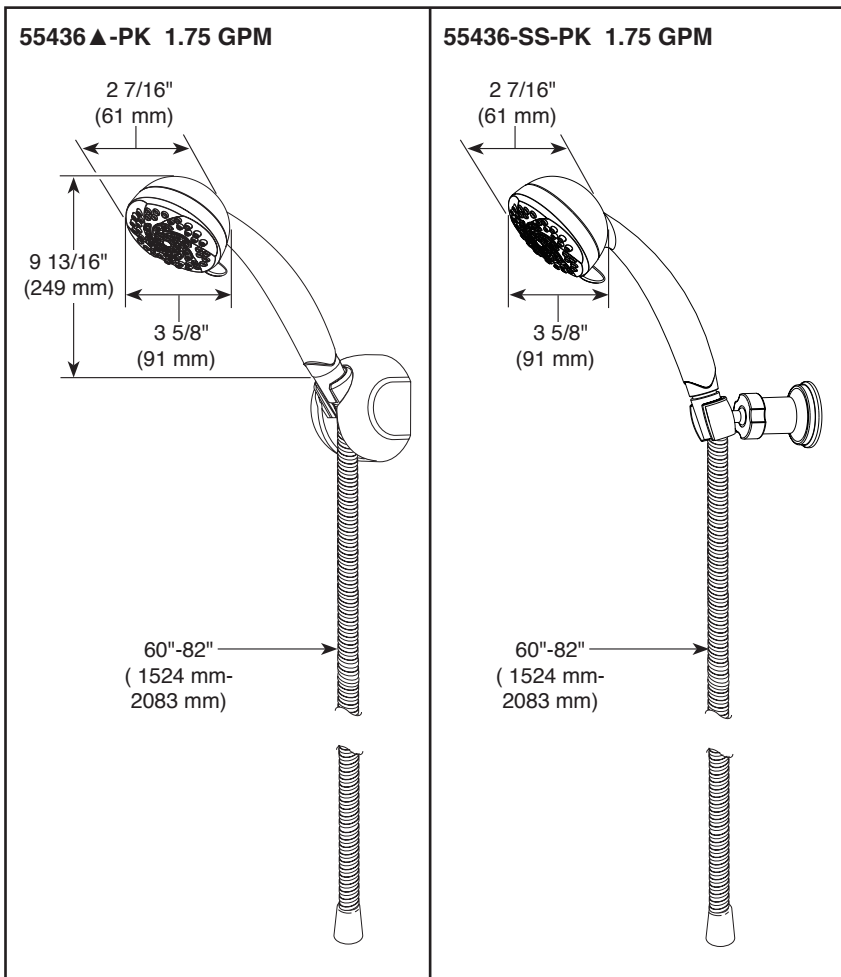


Submitted Model No.: _____

Specific Features: _____



▲ Designate proper finish suffix

Spray Patterns



Full Body Spray



Full Spray w/ Massage



Soft Drenching Spray



Shampoo Rinse Spray



Fast Massage

Delta reserves the right (1) to make changes in specifications and materials, and (2) to change or discontinue models, both without notice or obligation. Dimensions are for reference only. See current full-line price book or www.deltafaucet.com for finish options and product availability.

DSP-B-55436-PK Rev. D



see what Delta can do™

PERSONAL HAND HELD SHOWERS

■ 5-Spray Setting Wall Mount Hand Shower

FEATURES:

- Touch-Clean® Nozzles

STANDARD SPECIFICATIONS:

- Maximum 1.75 gpm @ 80 psi, 6.6 L/min @ 550 kPa
- Hand held shower with five spray patterns
- 60" - 82" (1524 mm - 2083 mm) stretchable metal hose
- Adjustable wall mount bracket (SS finish only)
- Fixed wall mount bracket

WARRANTY

- Lifetime limited warranty on parts (other than electronic parts and batteries) and finishes; or, for commercial users, for 5 years from the date of purchase.
- 5 year limited warranty on electronic parts (other than batteries); or for commercial users, for 1 year from the date of purchase. No warranty is provided on batteries.



COMPLIES WITH

- ASME A112.18.1 / CSA B125.1
- EPA WaterSense®

Delta Faucet Company

55 E. 111th Street, Indianapolis, IN 46280
 350 South Edgeware Road, St. Thomas, ON N5P 4L1
 © 2018 Delta Faucet Company