

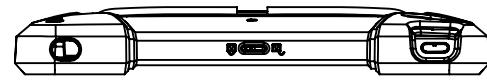
8 7 6 5 4 3 2 1

D

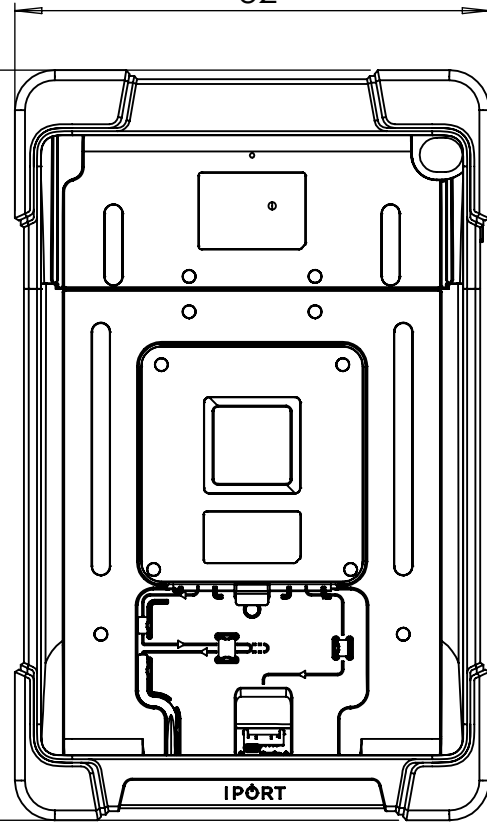
C

B

A

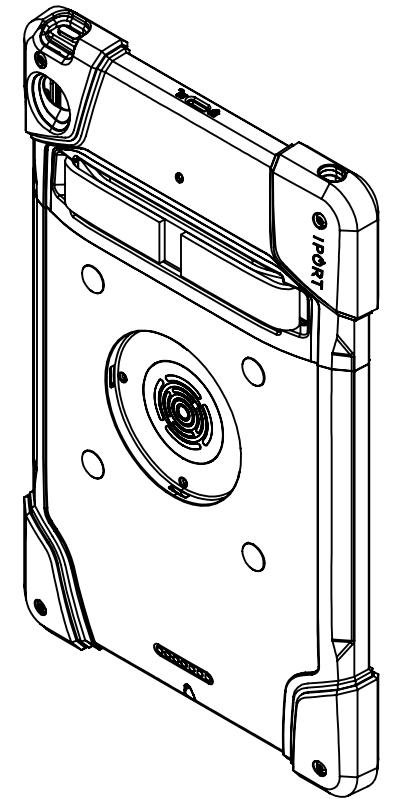
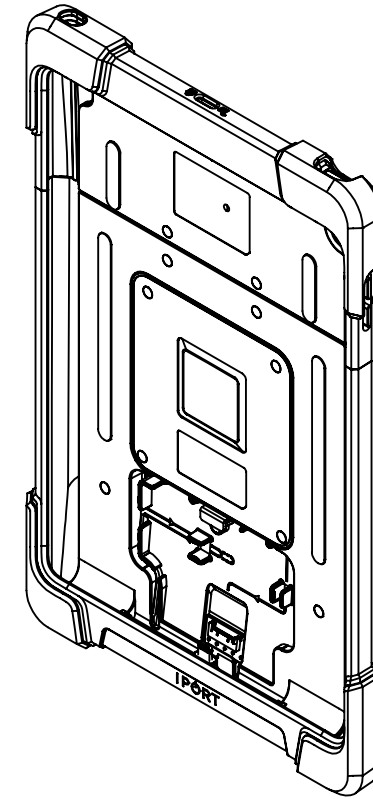
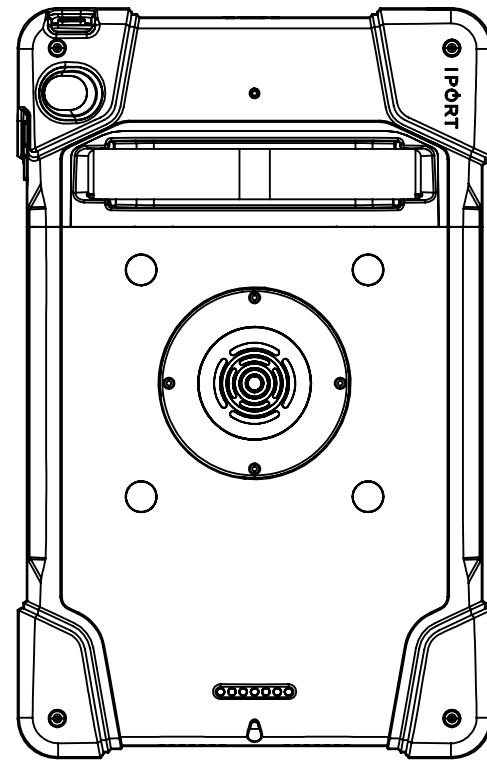
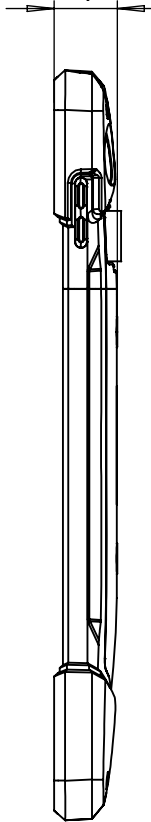


[188.20]  
7 13/32"



11 23/32"

[25.13]  
1"



D

C

B

A

8 7 6 5 4 3 2 1




 DANA INNOVATIONS

TITLE: **72305 CONNECT PRO RUGGED CASE 10.2 BLK**

SIZE	DWG. NO.	REV
<b>B</b>		<b>A</b>

SCALE: 1:3	WT:	SHEET 1 OF 1
------------	-----	--------------