

Kingston™ | K-2007-R

21-1/4" x 18-1/8" wall-mount/concealed arm carrier bathroom sink with single faucet hole and right-hand soap dispenser hole

Features

- Made from premium materials that withstand high-volume usage
- 21-1/4" (540 mm) x 18-1/8" (460 mm)
- Faucet sold separately
- Includes wall hanger
- ADA-compliant when installed with K-13885 offset drain



Sustainability



Available Colors/Finishes

Color tiles intended for reference only.

■ 0 White



Codes/Standards

ADA, OBC, CSA B651 compliant when installed to the specific requirements of these regulations.

ADA CSA B651 OBC

ASME A112.19.2/CSA B45.1

ADA

ICC/ANSI A117.1

CSA B651

OBC

Technical Information

Number of Deck Holes:	2
Faucet Hole(s) Size:	1-3/8" (35 mm)
With Overflow:	Yes
Soap/Lotion Hole Size:	1-1/4" (32 mm)
Drain Hole Diameter:	1-3/4" (44 mm)
Basin Configuration:	Single Bowl
Basin Length:	10" (254 mm)
Basin Width:	15" (381 mm)
Basin Depth:	10-1/8" (257 mm)

Material

- Vitreous china

Recommended Products/Accessories

K-23726 Drain treatment

K-8998 Adjustable P-trap with tubing outlet, 1-1/4" x 1-1/4"

K-23725 Cast iron cleaner

Warranty

See website for detailed warranty information.

KOHLER® Vitreous China Bathroom Sink Lifetime Limited Warranty

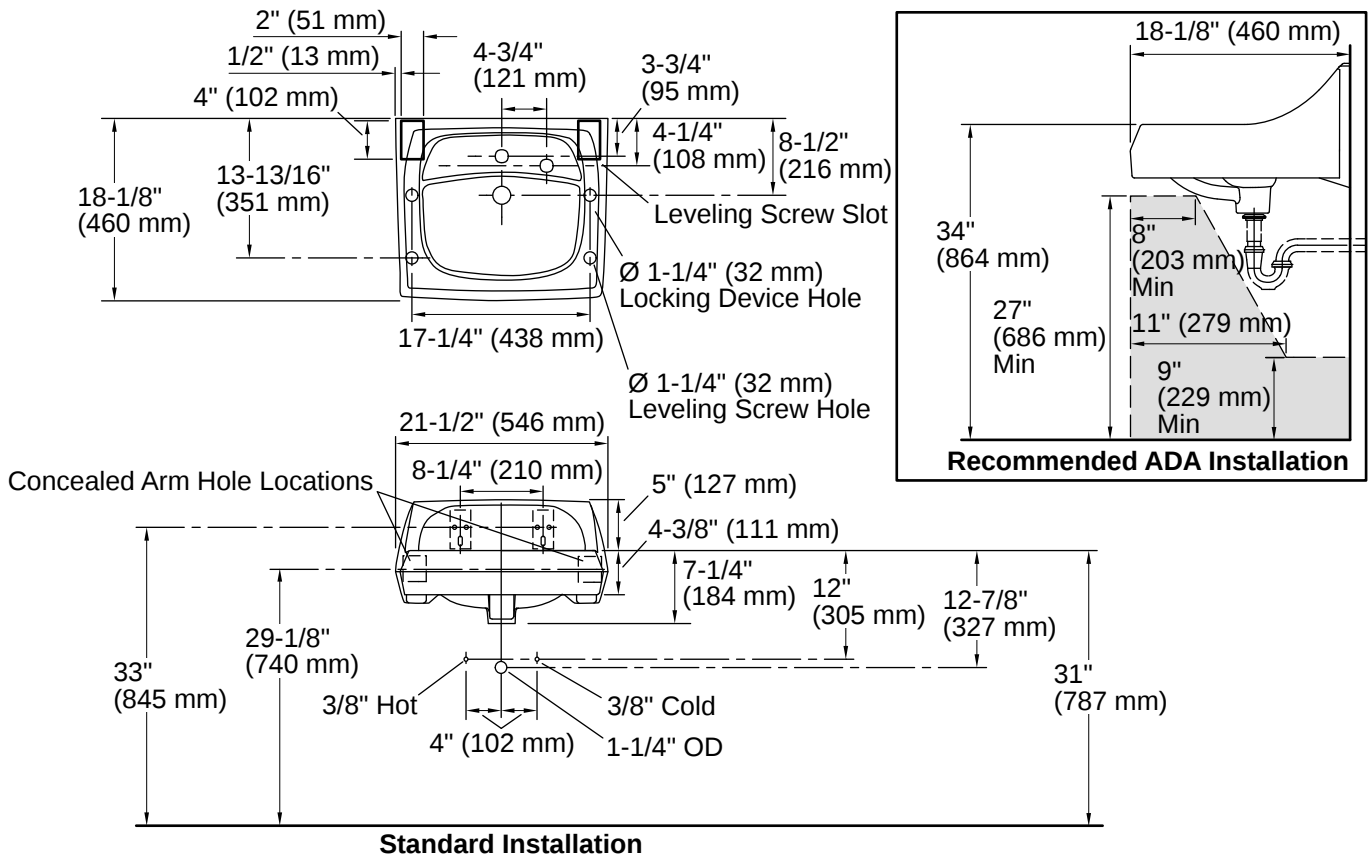


1-800-4KOHLER (1-800-456-4537)

Kohler Co. reserves the right to make revisions without notice to product specifications.

For the most current specification sheet, go to www.kohler.com USA or www.kohler.ca Canada.

4-13-2026 12:49 - US-CA



Installation

- Wall-mount
- Drilled for concealed arm carrier installation

Installation Notes

Install this product according to the installation instructions.

Product dimensions are nominal and may vary per ASME A112.19.2 tolerances.

ADA, OBC, CSA B651 compliant when installed to the specific requirements of these regulations.

