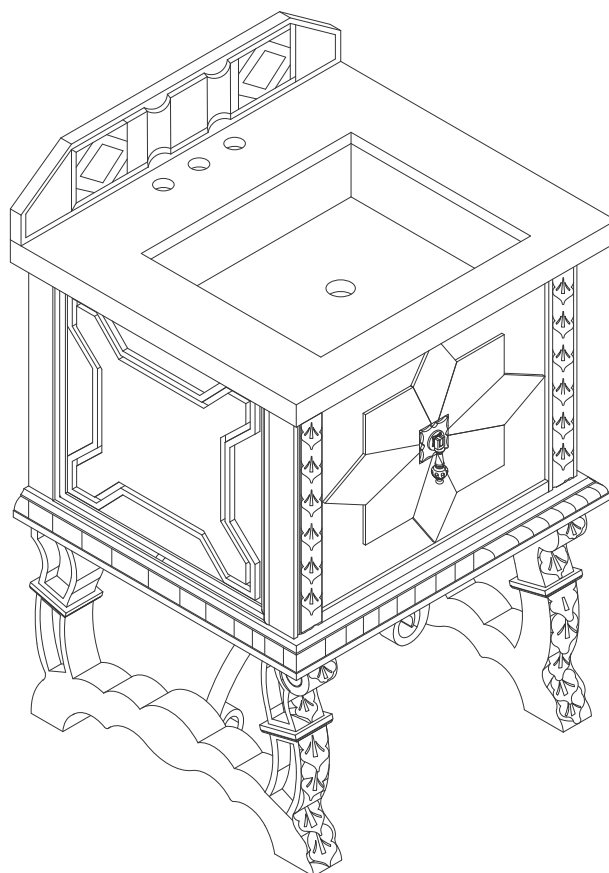


26" BALMORAL VANITY

JAMES MARTIN
VANITIES

150-V26-ANW



Features and Materials

Solids: Soft Maple and Yellow Poplar
Veneers: Red Oak
Panels: Plywood
Installation Type: Floor Standing
Legs and Cabinet: Hand-Carving Details
Number of Basins: One, with optional 3cm top
Vanity Top Included: NO, Optional 3cm Tops Available with Sinks
Optional Wooden Backsplash
Number of Doors: One
Number of Drawers: 0
Assembly Type: Installation of optional 3cm top
Hardware Material and Finish: Zinc Alloy in Antique Pewter
Fits Drain Hole Size: 1 3/4"
Overflow: Front Facing
European Soft Close Hinges
Adjustable Levelers

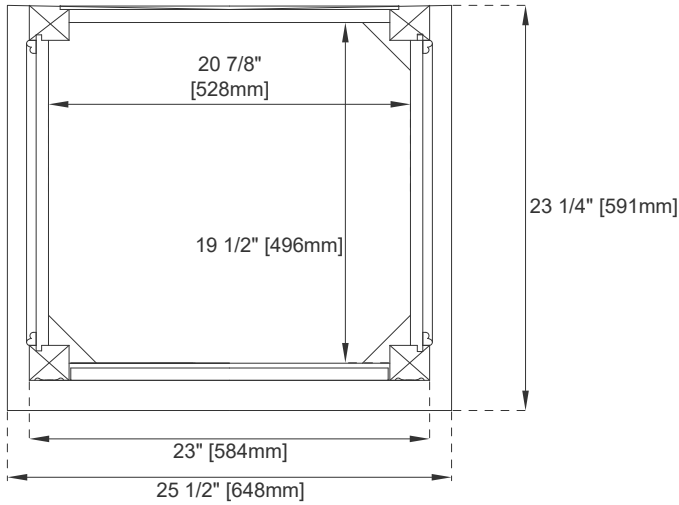
Dimension

Width: 25-3/4"
Depth: 23"
Height: 32-5/8"
Rough-In Height: 21-1/2"

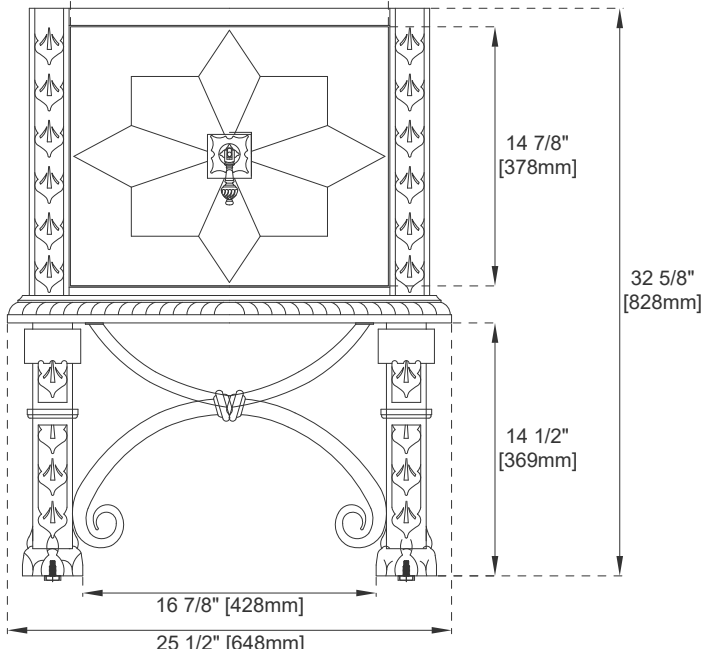
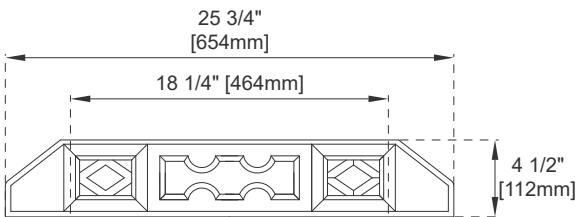
26" BALMORAL VANITY

JAMES MARTIN VANITIES

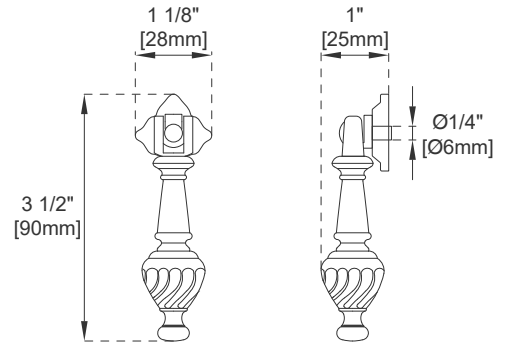
150-V26-ANW



Top View



Front View



Knob

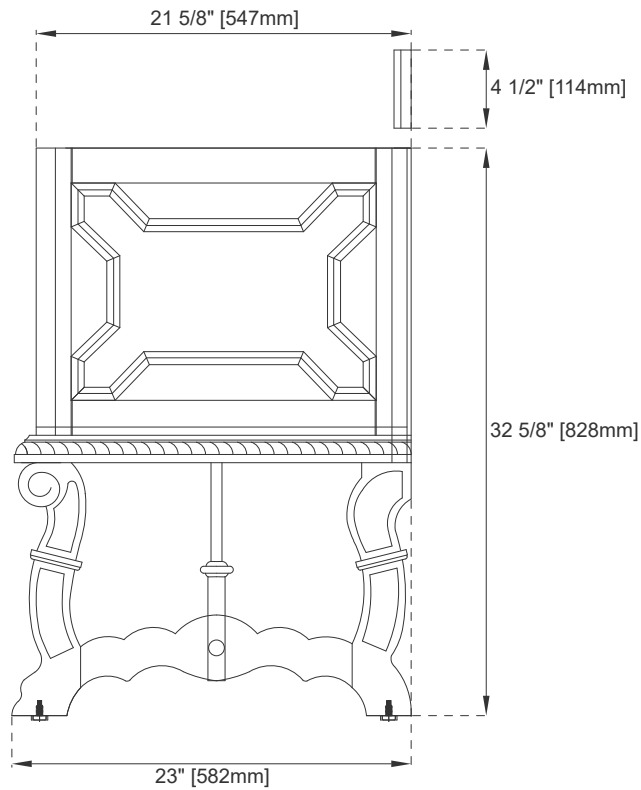
All dimensions are nominal
Diagrams are of cabinet only—James Martin Optional Countertops and sinks are not shown

Visit website for warranty and installation information
www.jamesmartinvanities.com

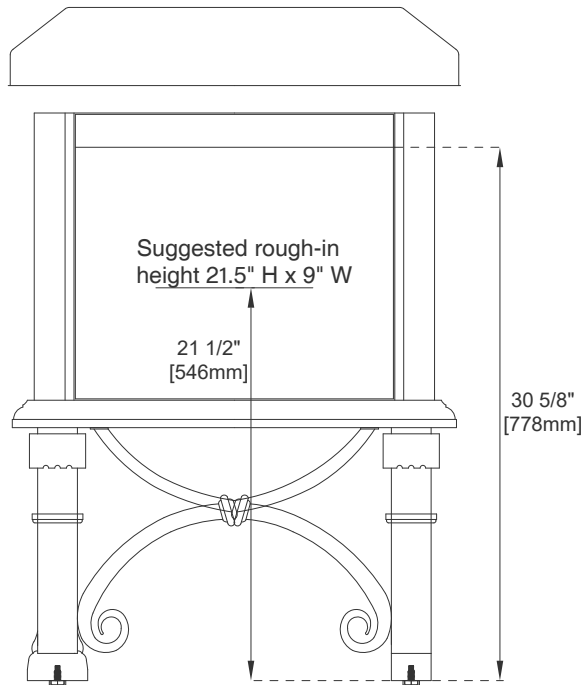
26" BALMORAL VANITY

JAMES MARTIN VANITIES

150-V26-ANW



Side View



Back View

All dimensions are nominal
Diagrams are of cabinet only—James Martin Optional Countertops and sinks are not shown

Visit website for warranty and installation information
www.jamesmartinvanities.com