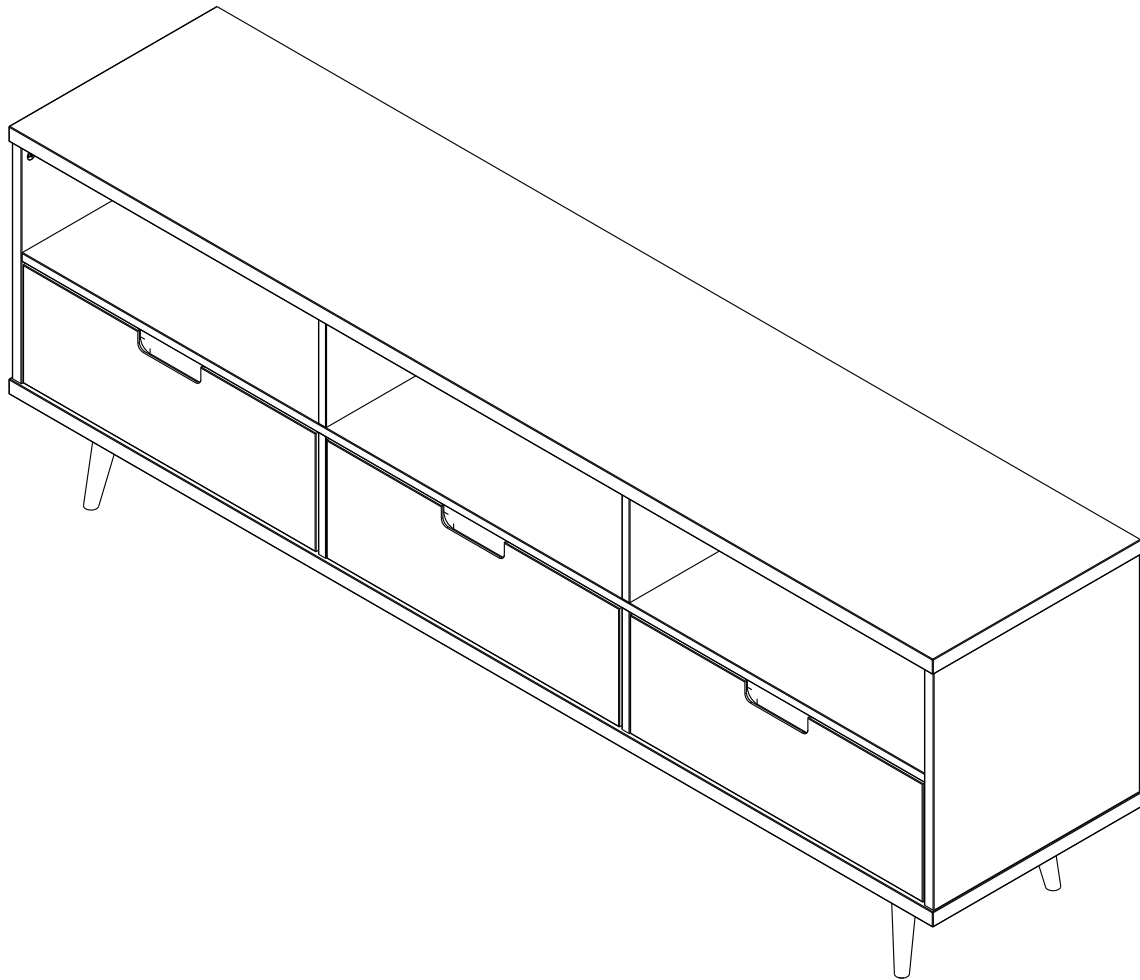


Item #: W70IV3D

Assembly Instruction

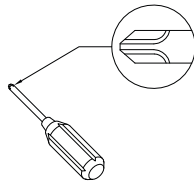


Please visit our website for the most current instructions, assembly tips, to report damage or request parts. www.walkeredison.com

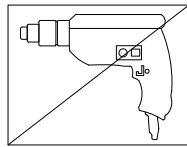
Revised 05/2022 V4

General Assembly Guidelines

- I. Ensure that all parts and hardware are available before beginning assembly.
- II. Follow each step carefully to ensure the proper assembly of this product.
- III. Two people are recommended for ease in the assembly of this product.
- IV. The three main types of hardware used to assemble this product are : wood dowels , screws and bolts.
- V. A Phillips head screwdriver is required for the assembly of this product .



- VI. Power tools should not be used to assemble this product .

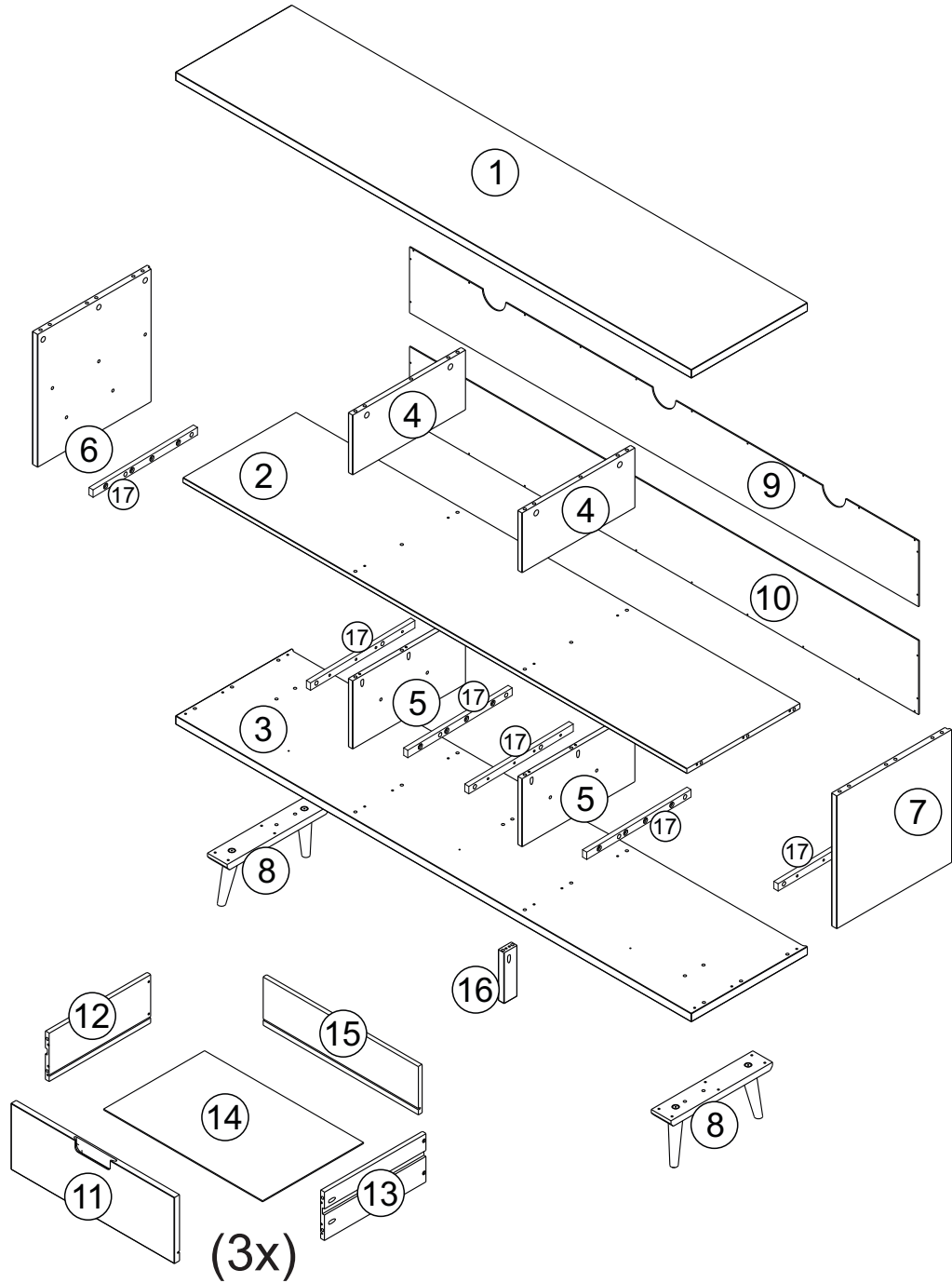


Maintenance Guide

To maintain long term performance and easy gliding of your solid wood drawers, we recommend applying wax to the wooden guide rails.

1. Bee's wax is recommended or Paraffin wax from a standard candle can be used.
2. Apply the wax by rubbing it on the wooden guide rails where there is wood-on-wood contact when opening and closing the drawer. (Wax should be room temperature, do not melt the wax onto the wood).
3. Wax should be applied every few months for the first year and then only when needed after that to keep the drawers sliding smoothly.




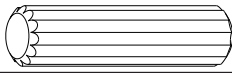

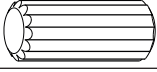

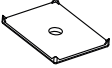
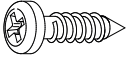
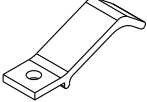



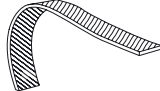
Parts List

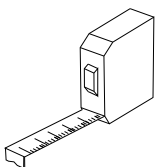


| Part# | Description | Qty |
|-------|---------------------|--------|
| 1 | Top panel | 01 pcs |
| 2 | Shelf | 01 pcs |
| 3 | Base | 01 pcs |
| 4 | Center upper panel | 02 pcs |
| 5 | Center bottom panel | 02 pcs |
| 6 | Left side panel | 01 pcs |
| 7 | Right side panel | 01 pcs |
| 8 | Feet | 02 pcs |
| 9 | Upper back panel | 01 pcs |

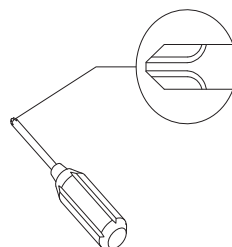
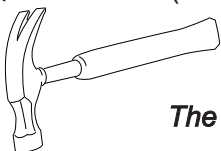
| Part# | Description | Qty |
|-------|-------------------|--------|
| 10 | Back panel | 01 pcs |
| 11 | Drawer front | 03 pcs |
| 12 | Drawer left side | 03 pcs |
| 13 | Drawer right side | 03 pcs |
| 14 | Drawer bottom | 03 pcs |
| 15 | Drawer back | 03 pcs |
| 16 | Center foot | 01 pcs |
| 17 | Drawer slide | 06 pcs |

Hardware List

| | | | | |
|---|---|-----------|----------------|--------|
| A |  | Ø5,5*28mm | Cam Bolt | 10 pcs |
| B |  | Ø14*14mm | Cam Lock | 10 pcs |
| C |  | Ø3,5*30mm | Screw | 52 pcs |
| D |  | Ø8*30mm | Wood dowel | 48 pcs |
| E |  | Ø3,5*16mm | Screw | 39 pcs |
| F |  | Ø8*20mm | Wood dowel | 12 pcs |
| G |  | Ø4*40mm | Screw | 16 pcs |
| H |  | | | 08 pcs |
| I |  | Ø4*16mm | Screw | 24 pcs |
| J |  | | Drawer Limiter | 03 pcs |
| K |  | Ø8*50mm | Wood dowel | 06 pcs |
| L |  | | Washer | 02 pcs |
| M |  | | Ø6mm | 01 pc |
| N |  | | Wall anchor | 01 pc |



Tape measure and hammer recommended for assembly (not included)

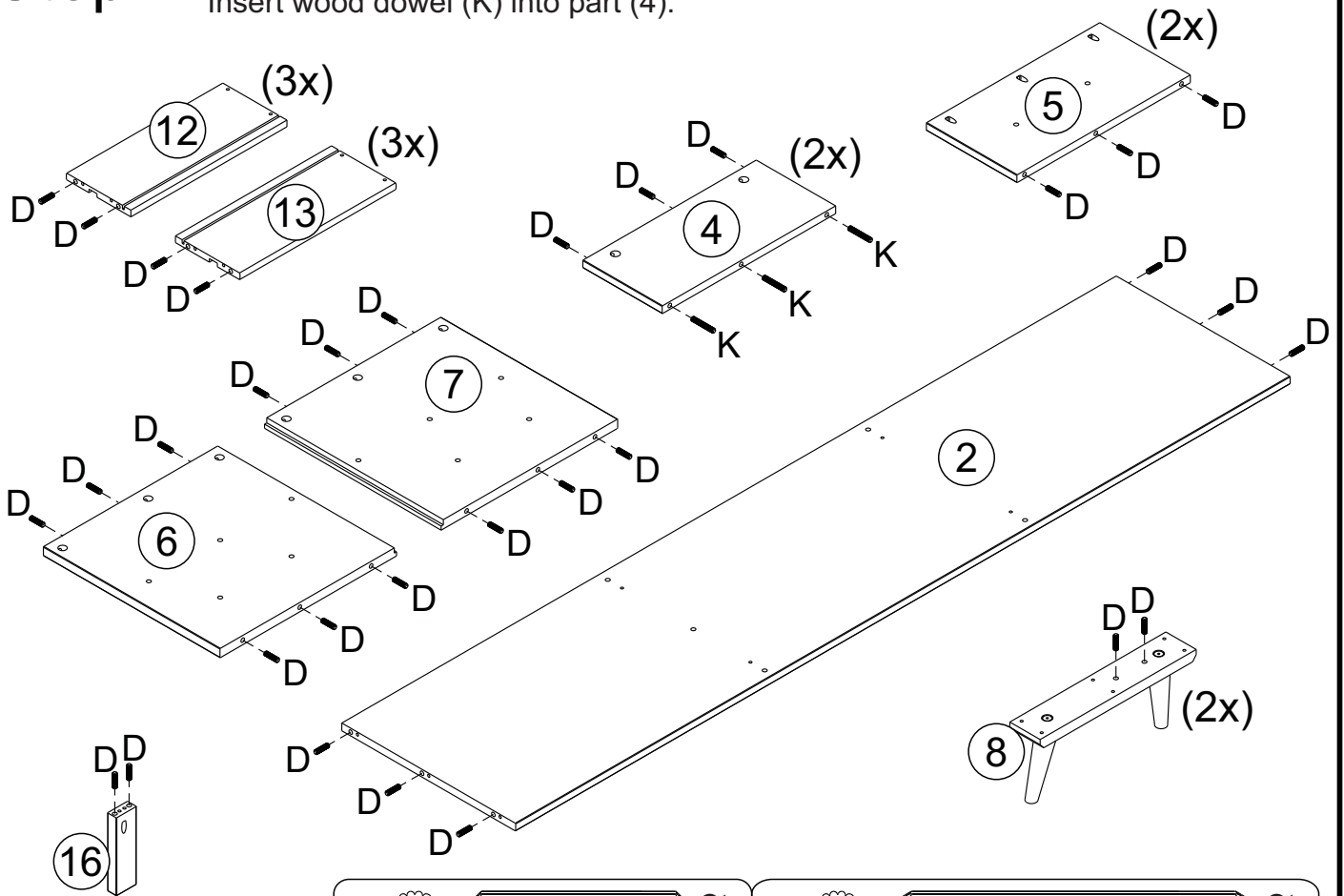


Philips head screwdriver required for assembly (not included)

*The hardware quantities listed above are required for proper assembly.
Some extra hardware may also have been included.*

Step 1

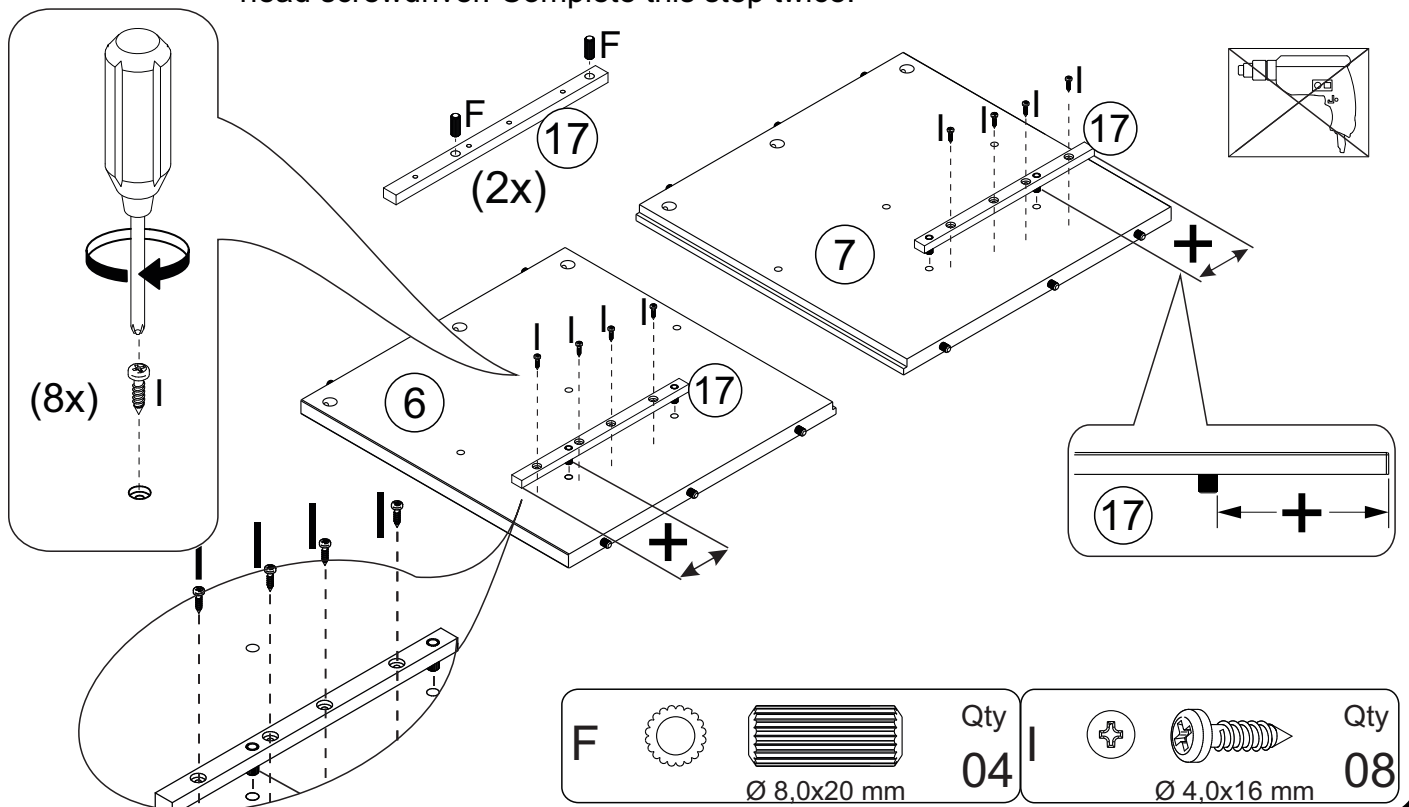
Insert wood dowel (D) into parts (2), (4), (5), (6), (7), (8), (12), (13) and (16).
Insert wood dowel (K) into part (4).



| | | | | | | | |
|---|--|-----|-------------|---|--|-----|-------------|
| D | | Qty | 48 | K | | Qty | 06 |
| | | | Ø 8,0x30 mm | | | | Ø 8,0x50 mm |

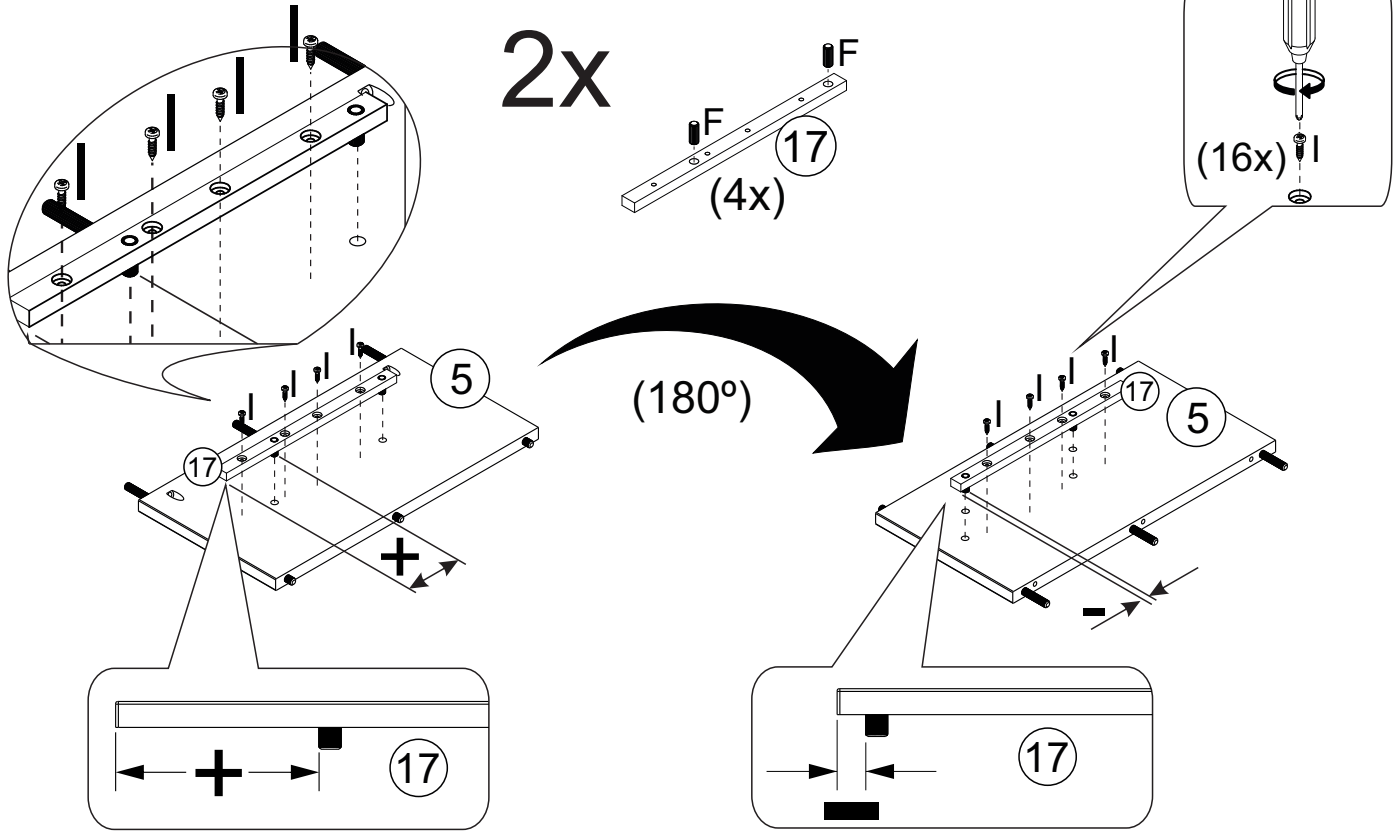
Step 2

Insert wood dowel (F) into part (17).
Attach the Drawer Slide (17) into part (6) and (7) using Screw (I) and a Phillips head screwdriver. Complete this step twice.



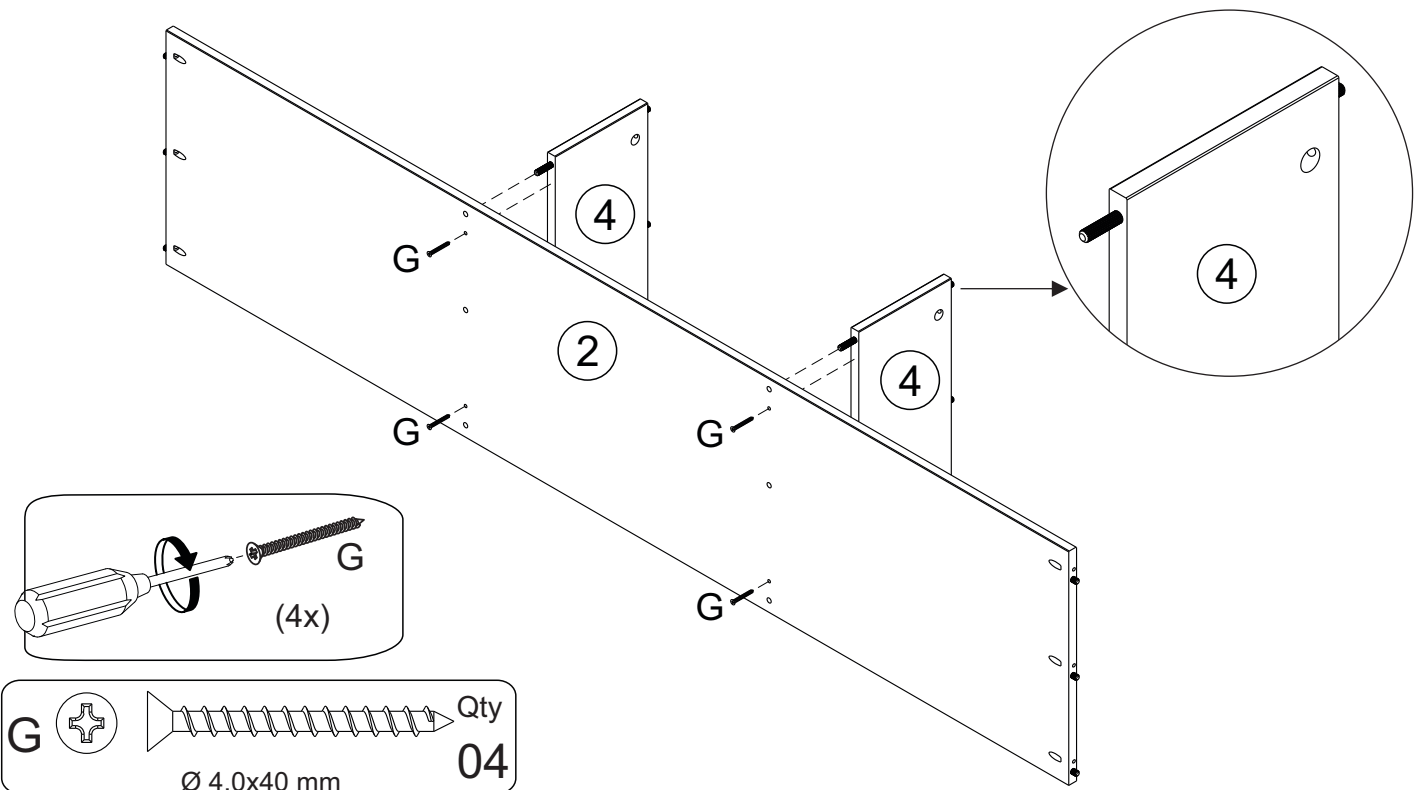
| | | | | | | | |
|---|--|-----|-------------|---|--|-----|-------------|
| F | | Qty | 04 | I | | Qty | 08 |
| | | | Ø 8,0x20 mm | | | | Ø 4,0x16 mm |

Step 3 Insert wood dowel (F) into part (17). Attach the Drawer Slide (17) into part (5) using Screw (I) and a Phillips head screwdriver. Complete this step twice.



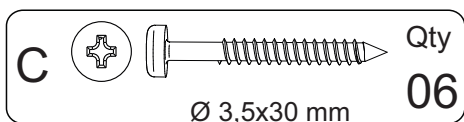
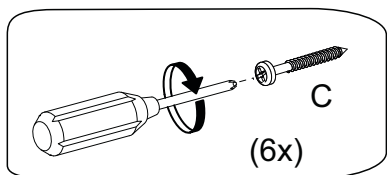
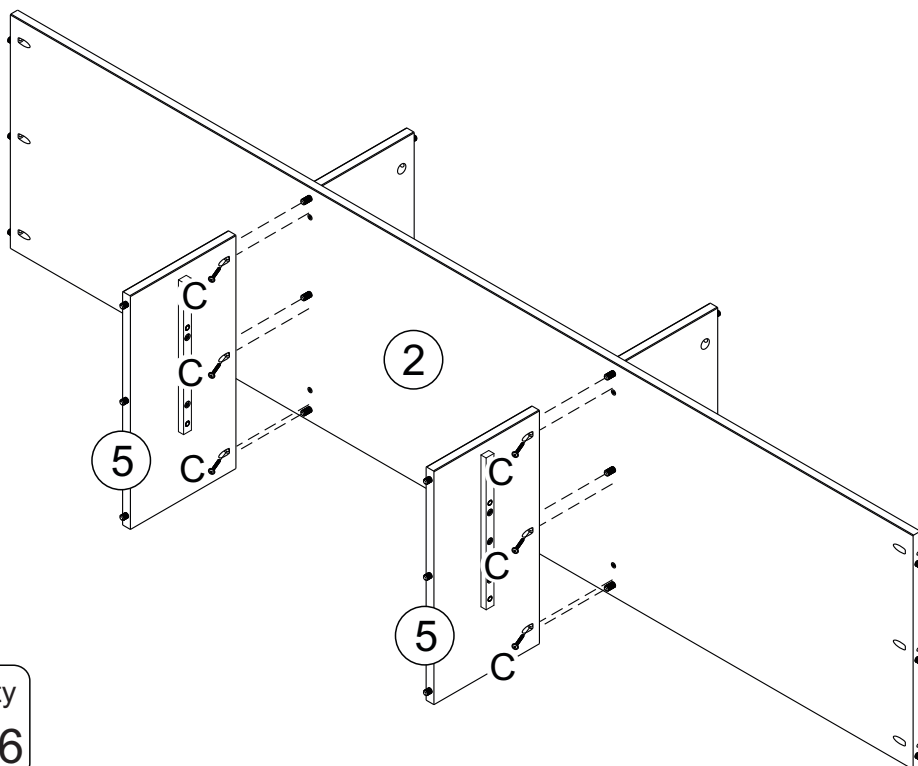
| | | | | | |
|---|-------------|-----|---|-------------|-----|
| F | | Qty | I | | Qty |
| | Ø 8,0x20 mm | 08 | | Ø 4,0x16 mm | 16 |

Step 4 Attach part (2) in the holes of parts (4) using screw (G) and a Phillips head screwdriver.



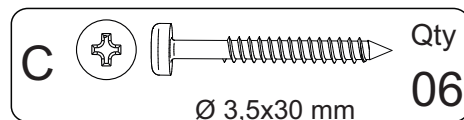
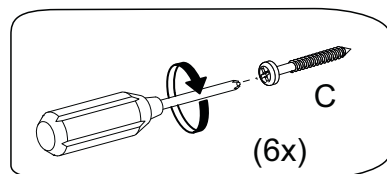
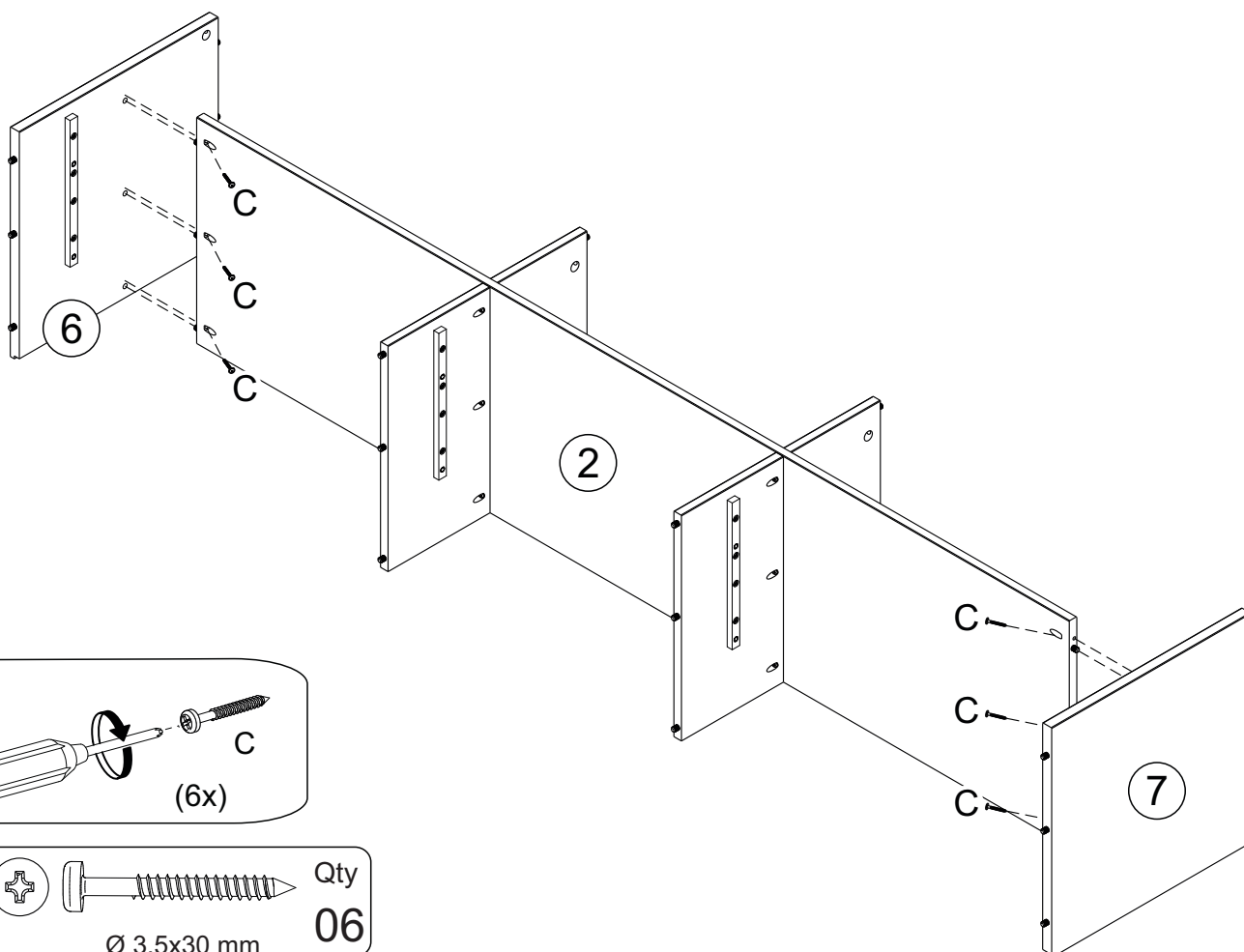
Step 5

Attach parts (5) in the holes of part (2) using screw (C) and a Phillips head screwdriver.

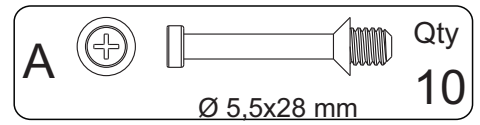
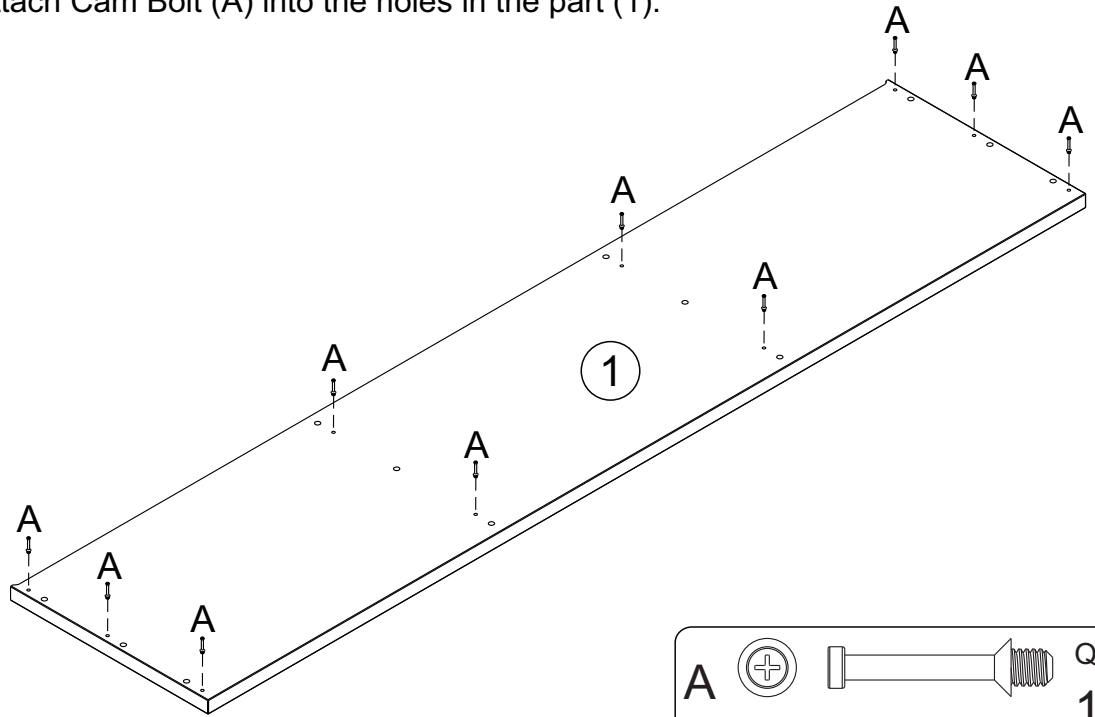
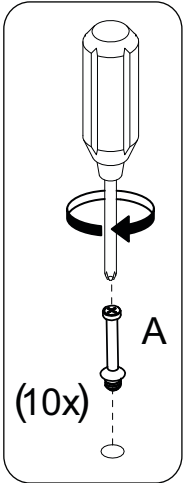


Step 6

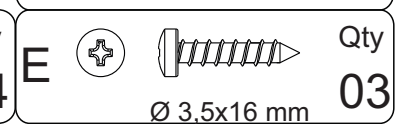
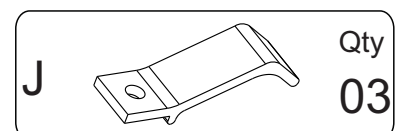
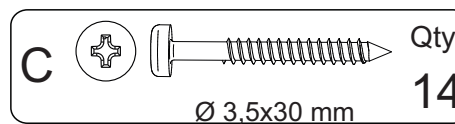
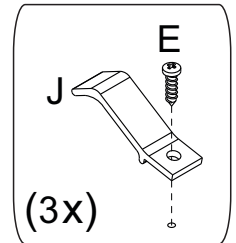
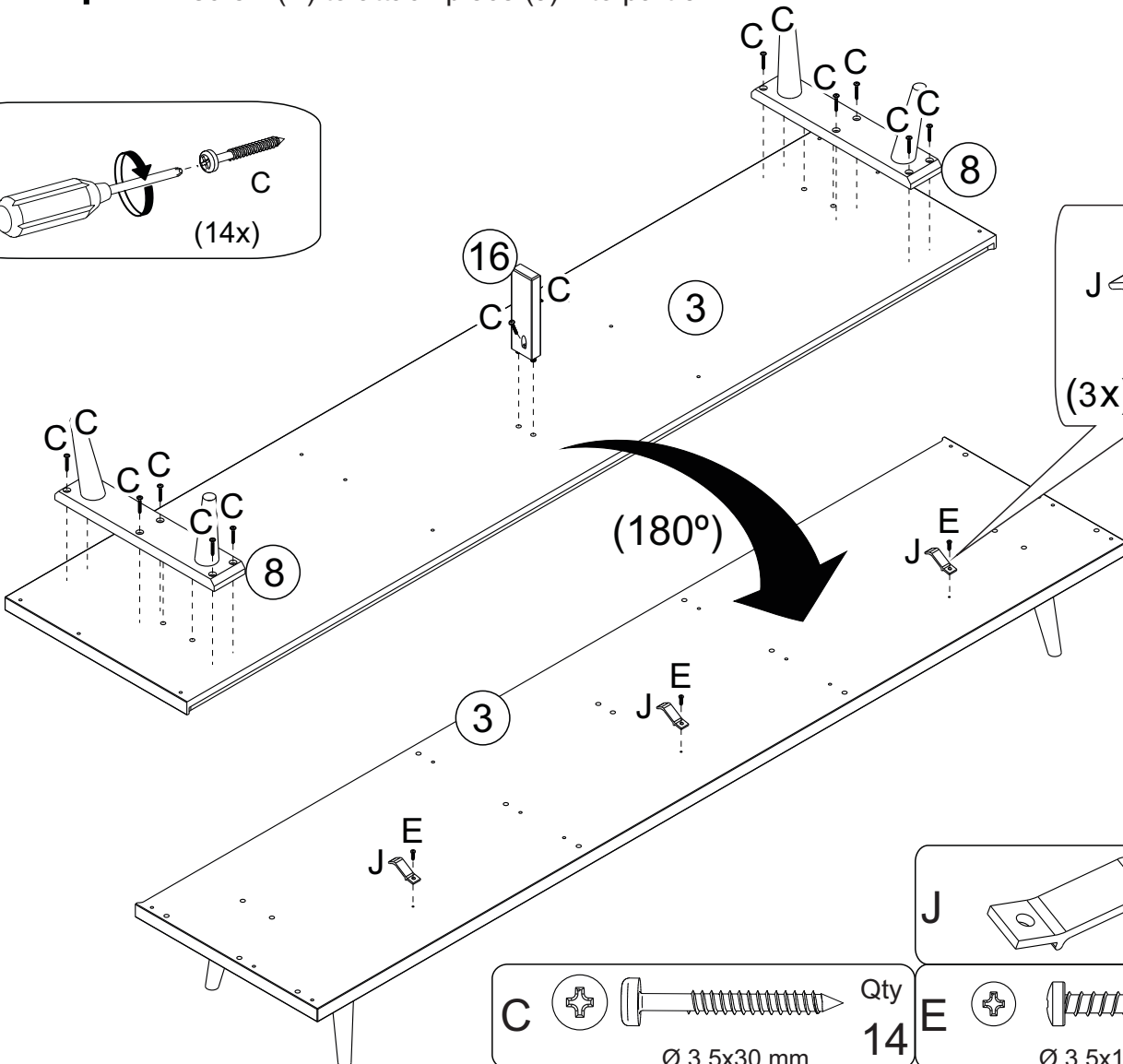
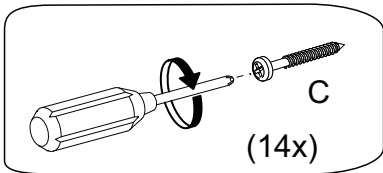
Attach holes part (6) and (7) in the wood dowels of part (2) using screw (C) and a Phillips head screwdriver.



Step 7 Attach Cam Bolt (A) into the holes in the part (1).

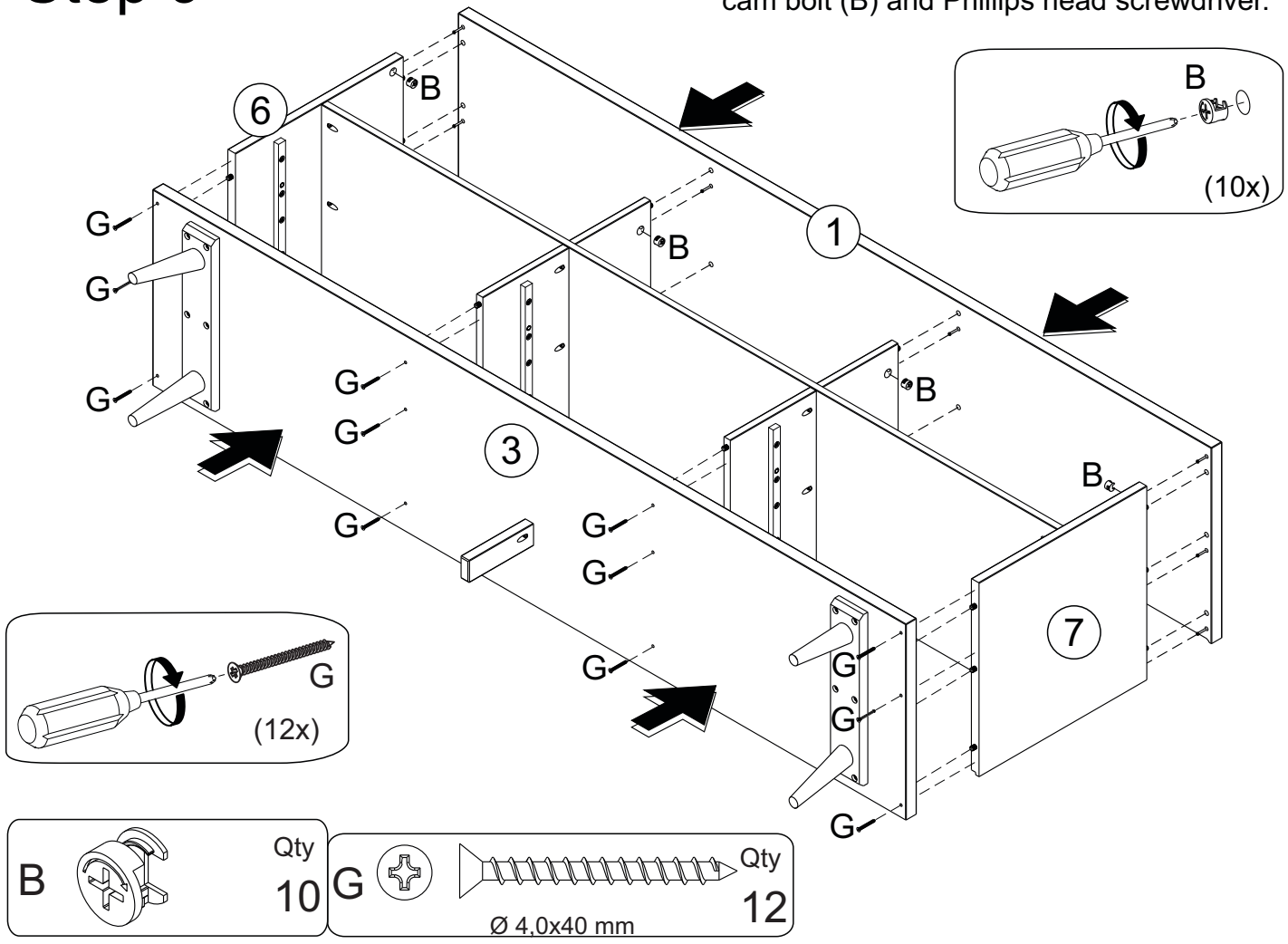


Step 8 Attach parts 8, 16 to part 3 using screw (C) and a Phillips head screwdriver. Use screw (E) to attach piece (J) into part 3.



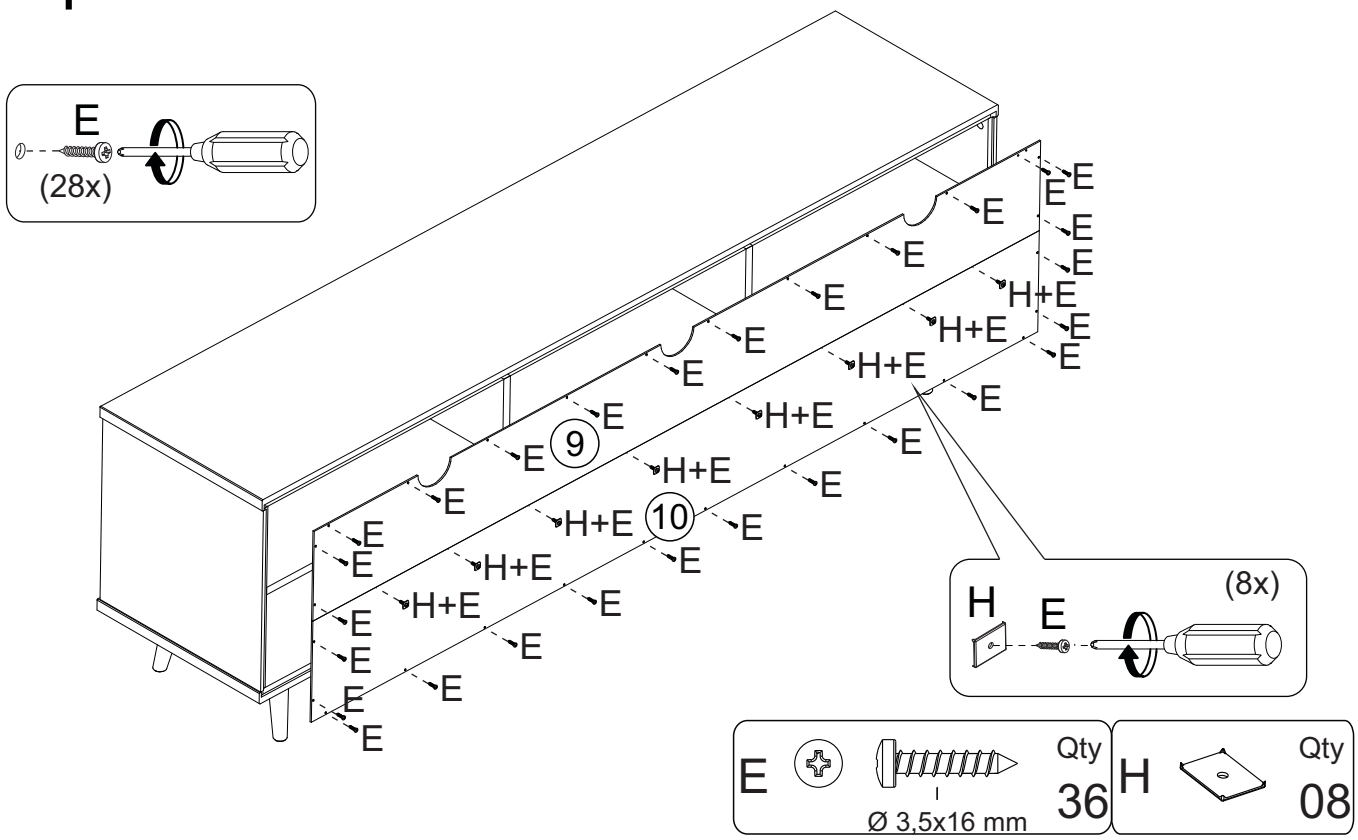
Step 9

Attach part (1) and (3) in the wood dowels of part (6) and (7) using screw (G) and cam bolt (B) and Phillips head screwdriver.



Step 10

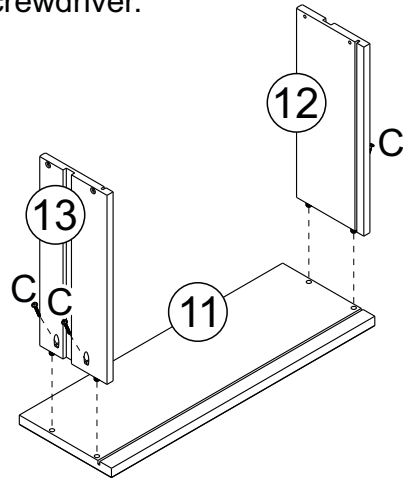
Attach part (9) and (10) using screw (E) and hardware (H) and Phillips head screwdriver.



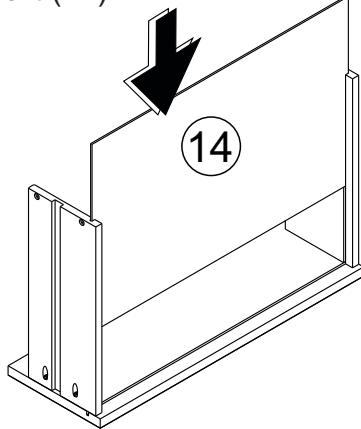
Step 11

3x

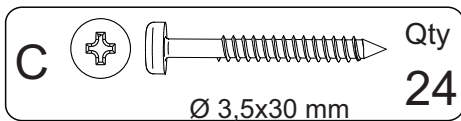
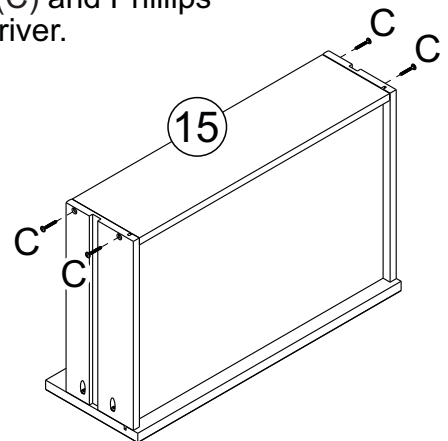
Attach part (12) and (13) in the part (11) using screw (C) and Phillips head screwdriver.



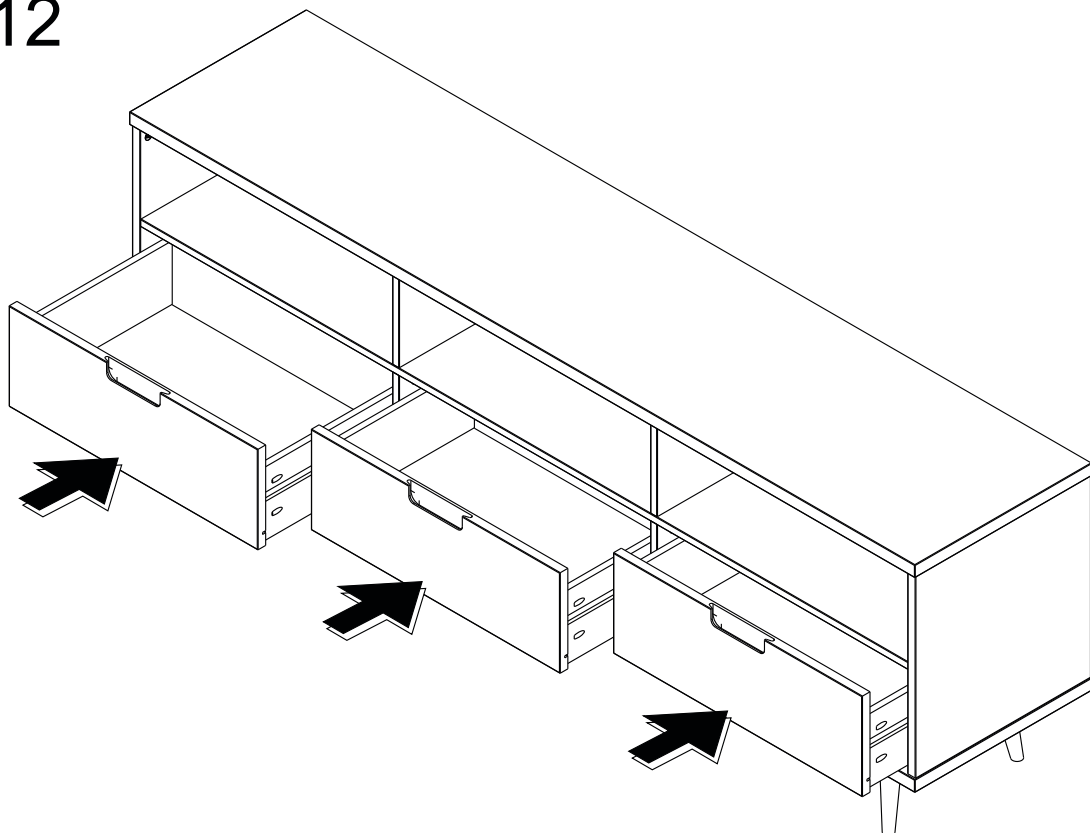
Insert part (14).



Attach part (12) and (13) in the part (15) using screw (C) and Phillips head screwdriver.



Step 12



Step 13

WARNING

Serious or fatal crushing injuries can occur from tip-over. To help prevent tip-over, install tip restraints per instructions. If using to support a television or monitor:

- For use with televisions weighing 35lbs (15.8Kg) or less and no wider than this product. Use with heavier televisions may result in instability causing tip over resulting in death or serious injury.
- Death or serious injury may occur when children climb on audio/or video equipment furniture. Remote control or toys placed on the furnishing may encourage a child to climb on the furnishing and as a result the furnishing.
- Do not place TV near front the edge of the product.

To further reduce the risk of serious injury and death from tip-overs:

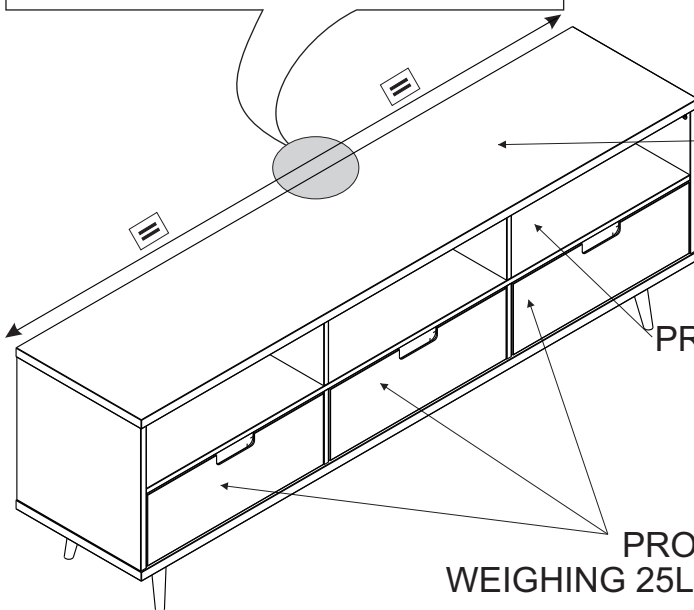
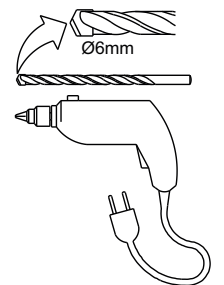
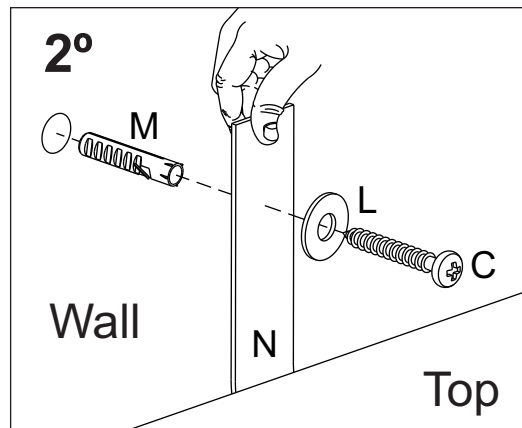
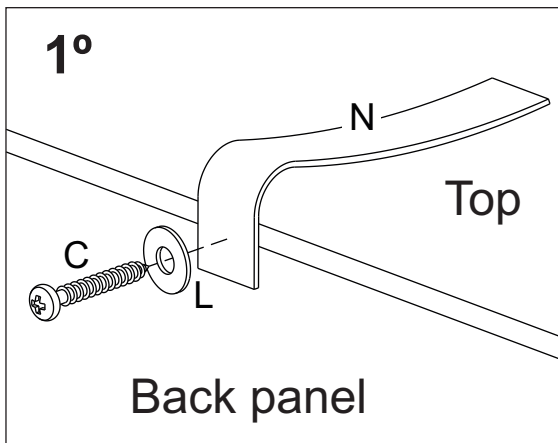
- Place heaviest items in the lowest compartments or drawers.
- Never allow children to climb or hang on drawers, doors or shelves.
- Never open more than one drawer at a time.

The use of tip-over restraints may only reduce, but not eliminate the risk of tip-over.

For safe mounting, it is essential to use wall anchors appropriate to your wall type (i.e., plaster, drywall, concrete, etc). Mount to wood studs whenever possible. **Note: if you are unsure about your wall type or what mounting the method you should use, consult a qualified professional or your local hardware store.**

Attach screw (C) into washer (L), securing wall anchor (N), in the frame of superior panel unit.

Drill your wall with a 6mm drill (not included) and insert hardware (M), securing wall anchor (N) with washer (L) and screw (C) in the wall.



TELEVISION MAXIMUM LOAD 35LBS
ACORDING TO UL 1678

PRODUCT WEIGHING 50LBS MAXIMUM

PRODUCT
WEIGHING 25LBS MAXIMUM

| Code | Part | Qty |
|------|-------------|-----|
| C | Ø 3,5x30 mm | 02 |
| L | | 02 |
| M | | 01 |
| N | | 01 |

Name and address information for the manufacturer responsible for the anti-tip hardware and date of production can be found on the label on the back of the furniture.