

# ASSEMBLY INSTRUCTIONS

## PARSON DINING TABLE

**A** Table Top



1 pc

**B** Table Leg



4 pcs

**C** JCBB Bolt  
M8 x 60mm



8 pcs

**D** Spring Washer  
M8



8 pcs

**E** Flat Washer  
M8

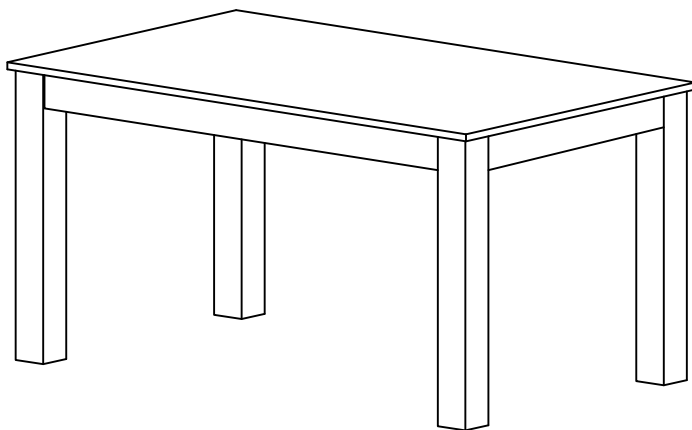


8 pcs

**F** Allen Key  
M5

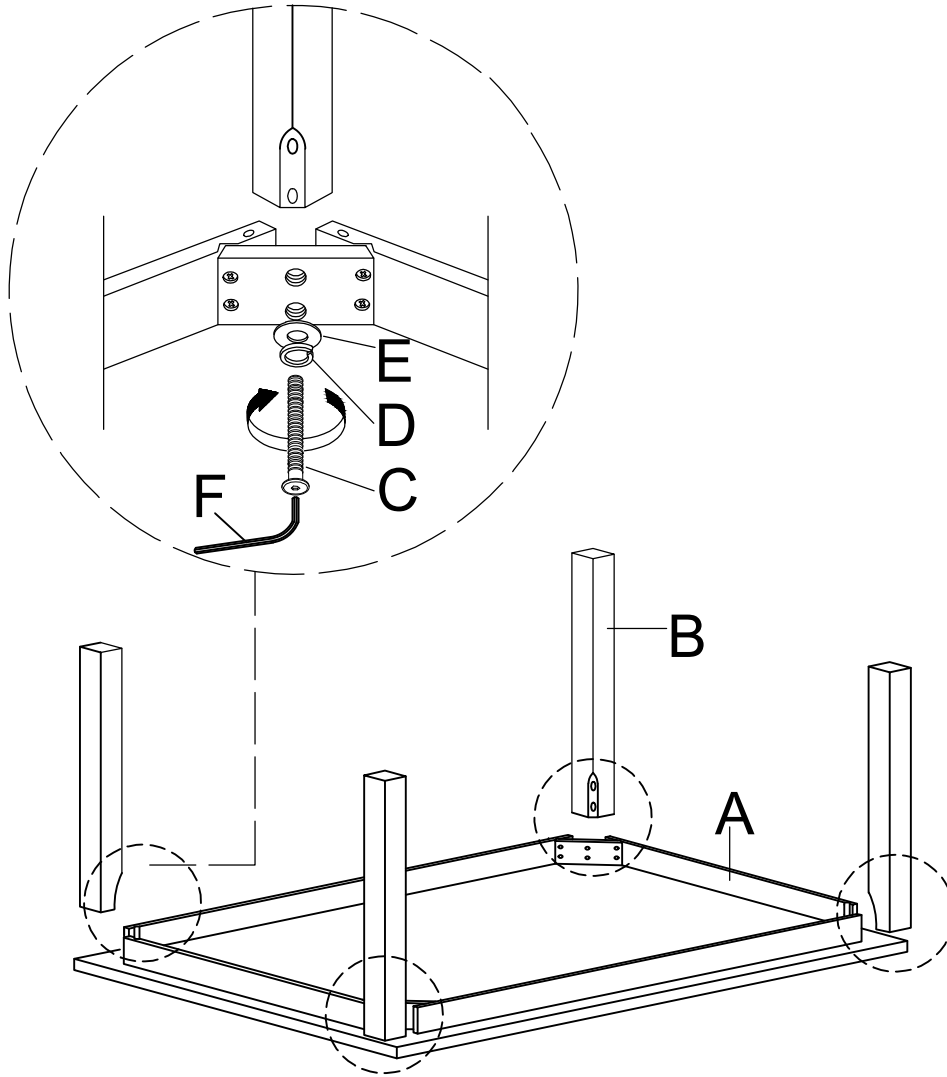


1 pc



This page lists all the contents included in the box. Please take the time to identify the hardware as well as the individual components to this product. As you unpack and prepare for assembly, place the contents on a carpeted or padded area to protect them from damage.

- 1 Place the Table Top (A) upside down on a smooth carpeted surface. Attach the Table Leg (B) to the Table Top (A) using JCB Bolt (C), Spring Washer (D) and Flat Washer (E) with the Allen Key (F).



---

## Cleaning & Care

Treat surfaces with care. Surfaces are resistant to scratches but are not scratch resistant. Clean surfaces with a dry or damp soft cloth. Do not use abrasive cleaners. Hardware may loosen over time. Periodically check that all connections are tight.