

Installation Guide Smart-UPS[™] On-Line Replacement Battery Module APCRBC140/APCRBC140J

Important Safety Instructions

SAVE THESE INSTRUCTIONS - This manual contains important instructions that should be followed during installation and maintenance of the Smart-UPS and batteries.

Read these instructions carefully and look at the equipment to become familiar with the device before trying to install, operate, service or maintain it. The following special messages may appear throughout this bulletin or on the equipment to warn of potential hazards or to call attention to information that clarifies or simplifies a procedure.



The addition of this symbol either to a “Danger” or “Warning” safety label indicates that an electrical hazard exists which will result in personal injury if the instructions are not followed.



This is the safety alert symbol. It is used to alert you to potential personal injury hazards. Obey all safety messages that follow this symbol to avoid possible injury or death.

DANGER

DANGER indicates a hazardous situation which, if not avoided, **will result** in death or serious injury.

WARNING

WARNING indicates a hazardous situation which, if not avoided, **could result in** death or serious injury.

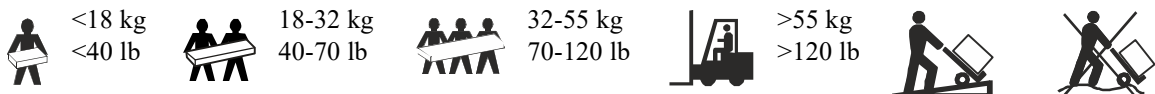
CAUTION

CAUTION indicates a hazardous situation which, if not avoided, **could result in** minor or moderate injury.

NOTICE

NOTICE is used to address practices not related to physical injury.

Product Handling Guidelines



Safety and General Information

Inspect the package contents upon receipt. Notify the carrier and dealer if there is any damage.

- Adhere to all local and national electrical codes.
- This Replacement Battery Module (RBC) is intended only for indoor use in a controlled environment.
- Do not operate this RBC in direct sunlight, in contact with fluids, or where there is excessive dust or humidity.
- Be sure the air vents on the RBC are not blocked. Allow adequate space for proper ventilation.
- The battery typically lasts for two to five years. Environmental factors impact battery life. Elevated ambient temperatures, poor quality mains power, and frequent short duration discharges will shorten battery life.
- Replace the battery immediately when the UPS indicates battery replacement is necessary or when the batteries reach the end of their life. Failure to do so could result in equipment damage and/or injury.
- Always recycle used batteries.
For information on recycling used battery modules, refer to the Battery Disposal Information sheet included with the replacement battery module.
- Recycle the package materials or save them for reuse.
- Additional safety information can be found in the Safety Guide supplied with this unit.
- Do not lay tools or metal parts on top of batteries.
- Do not dispose of battery or batteries in a fire. The batteries may explode.
- Do not open or mutilate batteries. Released electrolyte is harmful to the skin and eyes, and may be toxic.
- Servicing of user replaceable batteries should to be performed or supervised by personnel knowledgeable about batteries and required precautions.
- Before installing or replacing the batteries, remove jewelry such as wristwatches and rings.
- A battery can present a risk of electric shock and burns by high short-circuit current.
- Failed batteries can reach temperatures that exceed the burn thresholds for touchable surfaces

Replace Battery Modules

Actual models may differ in appearance from those depicted in these graphics. Installation process is identical for all models.

⚠ CAUTION

RISK OF DAMAGE TO EQUIPMENT OR PERSONNEL

- The equipment is heavy. Each battery module weighs 17 kg (37 lb).
- Always practice safe lifting techniques adequate for the weight of the equipment.
- Adhere to all local and national electrical codes.
- Use the battery model handle to slide the battery modules in and out of the UPS and external battery pack (XLBP).
- Do not use the handle to lift or carry the battery module.

Failure to follow these instructions could result in equipment damage and minor or moderate injury.

⚠ CAUTION

RISK OF HYDROGEN SULPHIDE GAS AND EXCESSIVE SMOKE

- Replace the battery at least every 5 years or at the end of its service life, whichever is earlier.
- Replace the battery immediately when the UPS indicates battery replacement is necessary.
- Replace batteries with the same number and type of batteries as originally installed in the equipment.
- Replace the battery immediately when the UPS indicates a battery overtemperature condition, or when there is evidence of electrolyte leakage. Power off the UPS, unplug it from the AC input, and disconnect the batteries.
- Do not operate the UPS until the batteries have been replaced.
- *Replace all battery modules (including the modules in External Battery Packs) which are older than one year, when installing additional battery packs or replacing the battery module(s).

Failure to follow these instructions could result in equipment damage and minor or moderate injury.

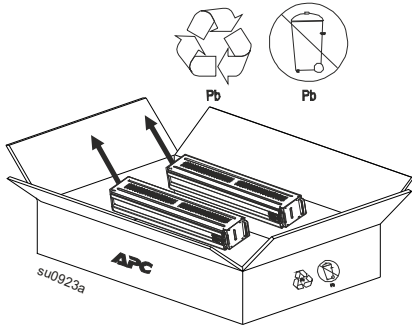
* Contact APC by Schneider Electric Customer Support to determine the age of the installed battery modules.

Note: The batteries will charge to 90% capacity in the first three hours of operation on utility power. Do not expect full runtime capability during this initial charge period.

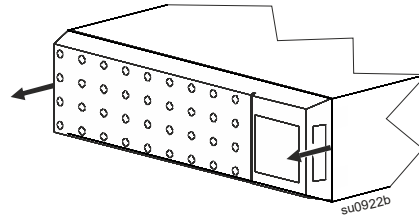
UPS model	RBC
SRT5KXLJ	APCRBC140J
SURT14K/SURT18K	
SRT5K/SRT6K	APCRBC140
SRT8K/SRT10K	
SURT15K/SURT20K	

SRT5K/SRT6K/SRT5KXLJ UPS models

1

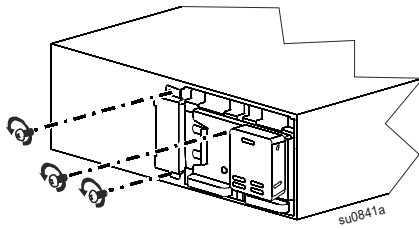


2



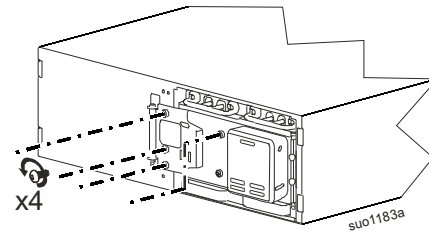
SRT5K USPS model

3
A

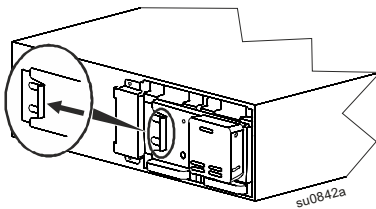


SRT5KXLJ UPS model

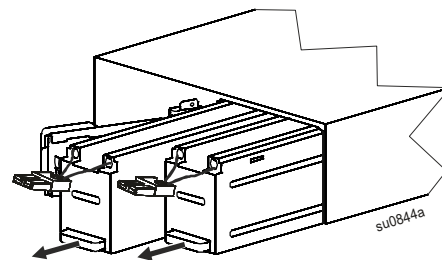
3
B



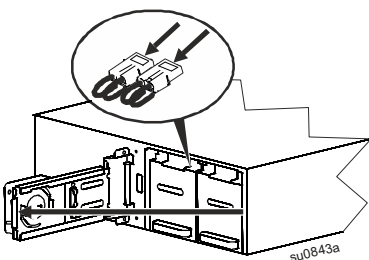
4



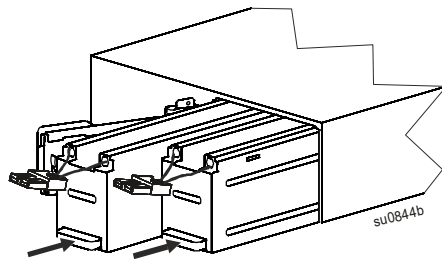
6



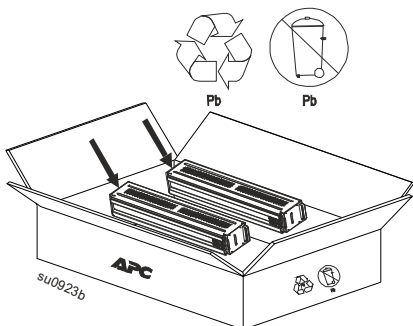
5



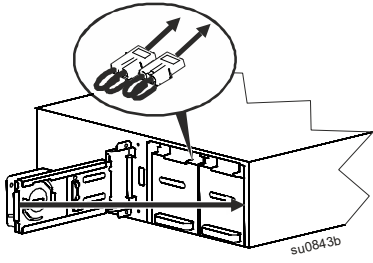
8



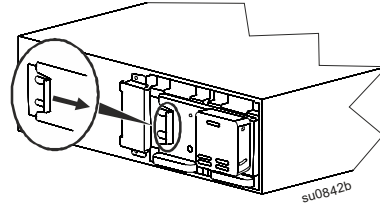
7



9



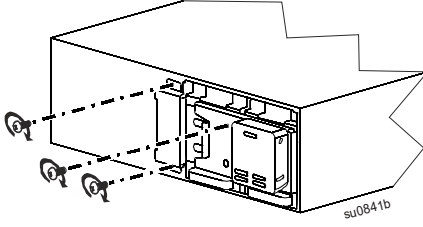
10



SRT5K UPS model

11

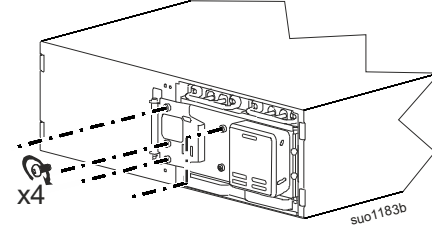
A



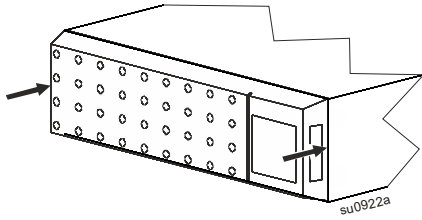
SRT5KXLJ UPS model

11

B

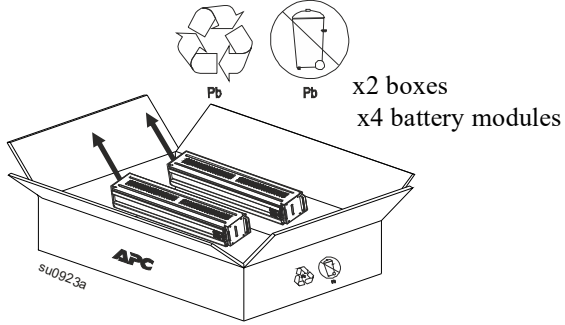


12

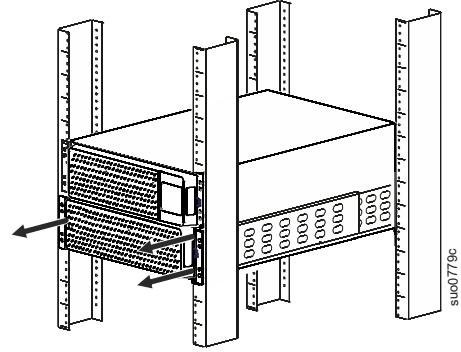


SRT8K/SRT10K UPS models

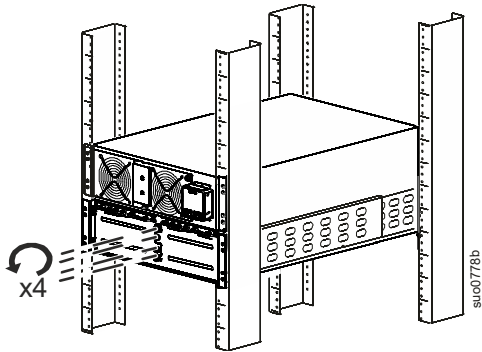
1



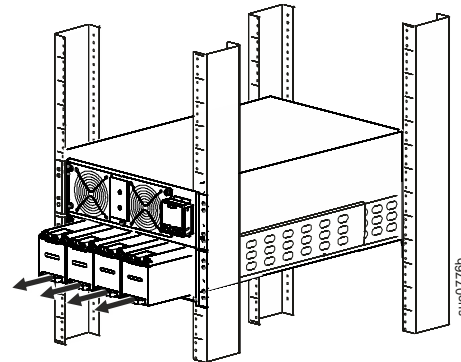
2



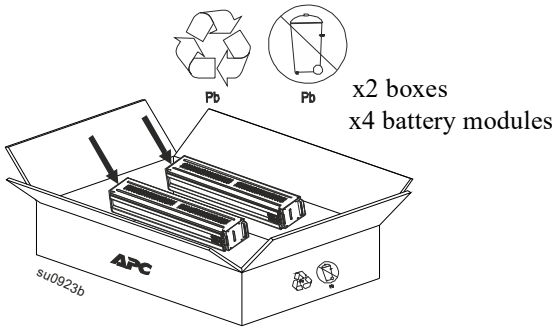
3



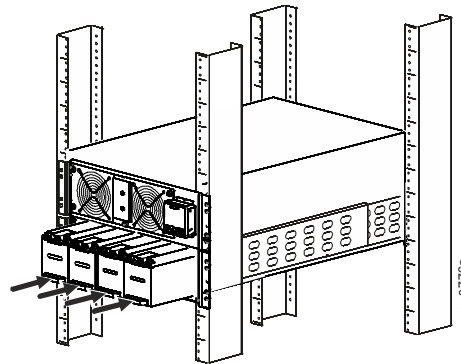
4



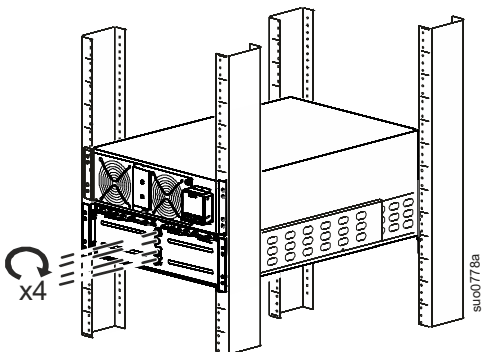
5



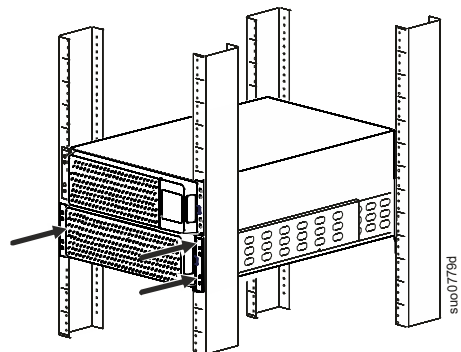
6



7

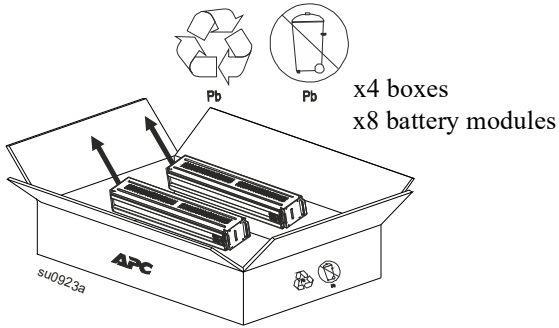


8

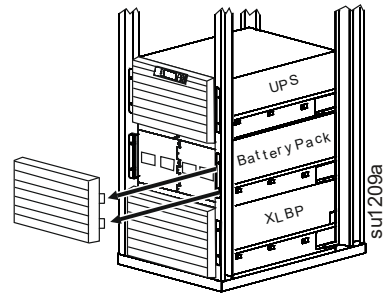


SURT15/20K

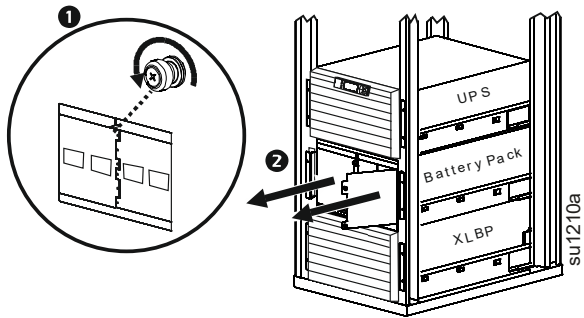
1



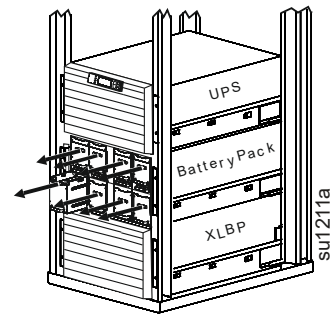
2



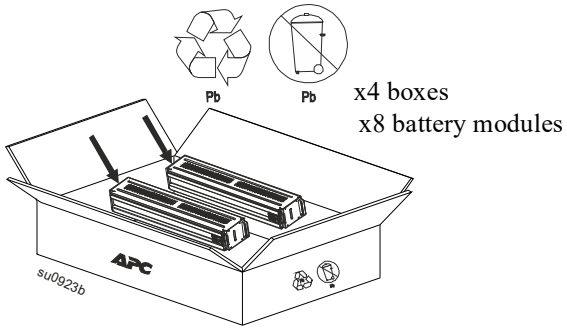
3



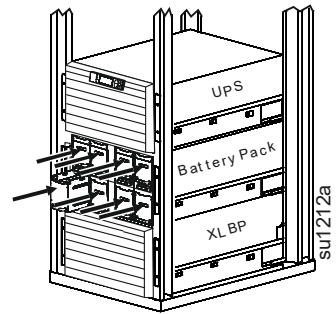
4



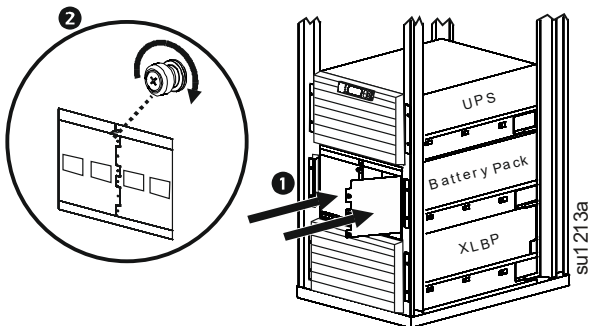
5



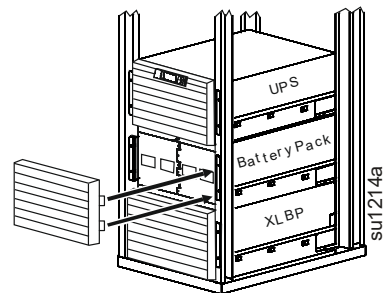
6



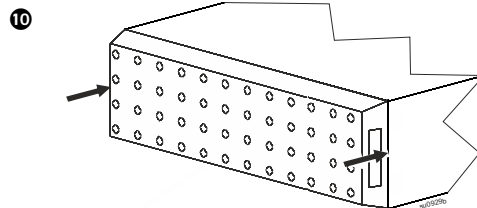
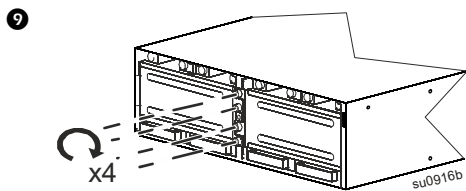
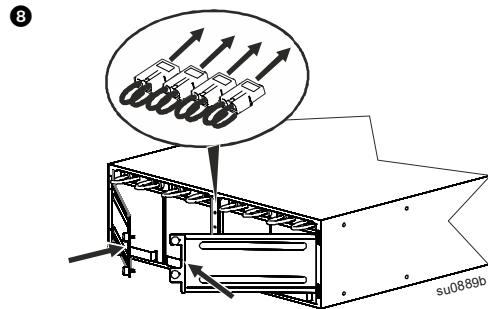
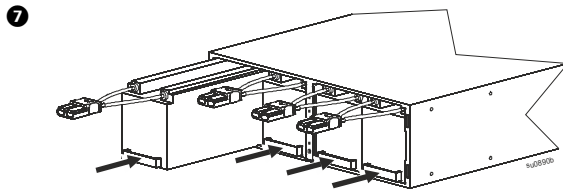
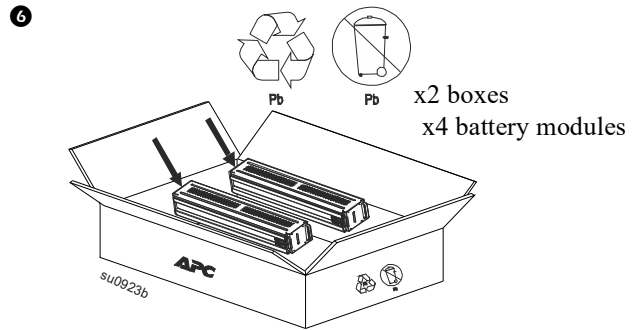
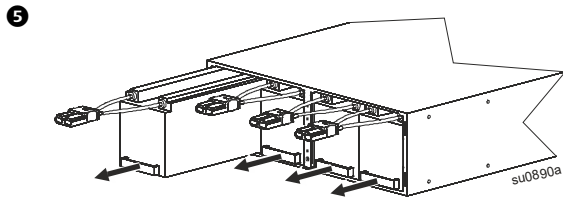
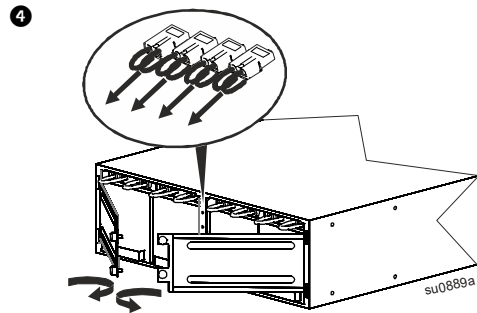
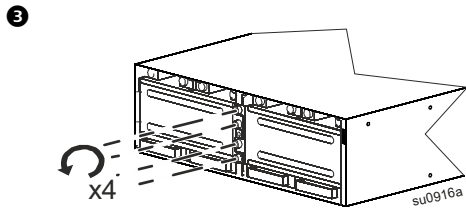
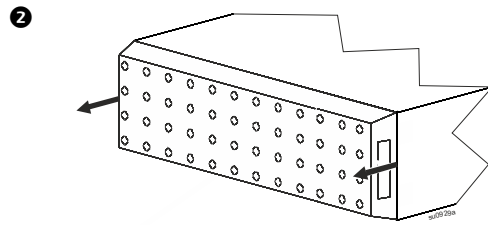
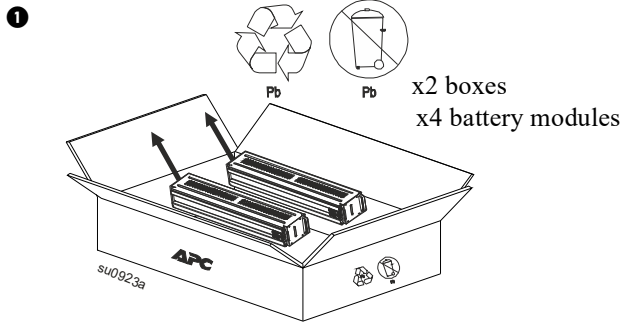
7



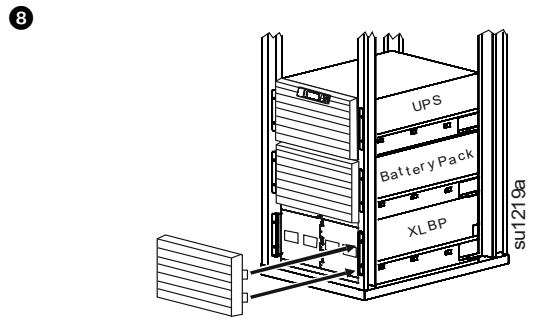
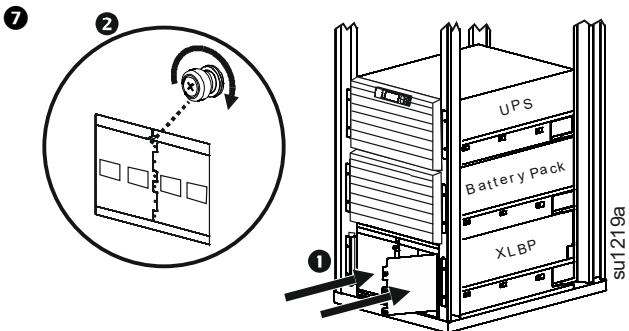
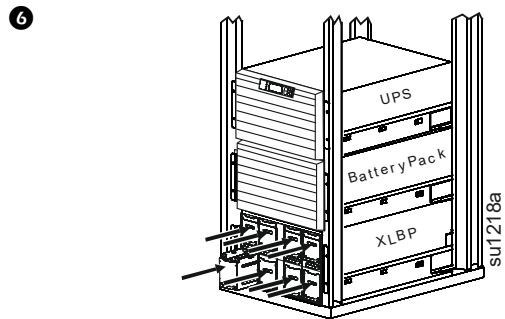
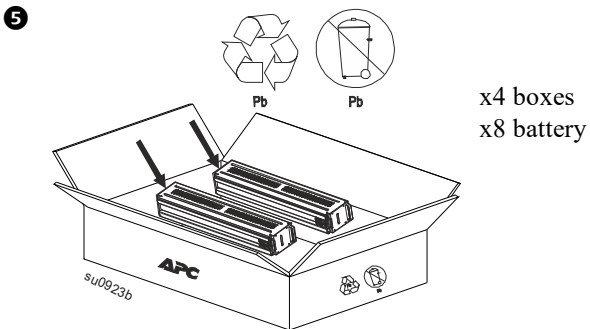
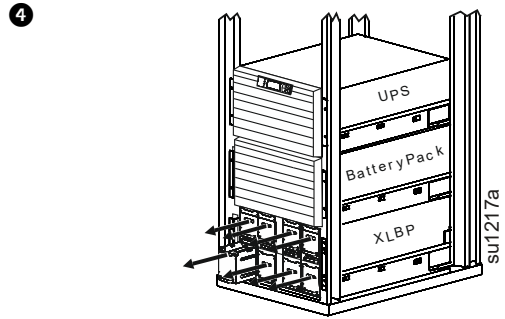
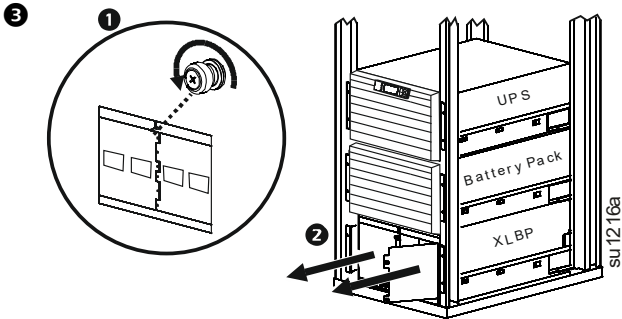
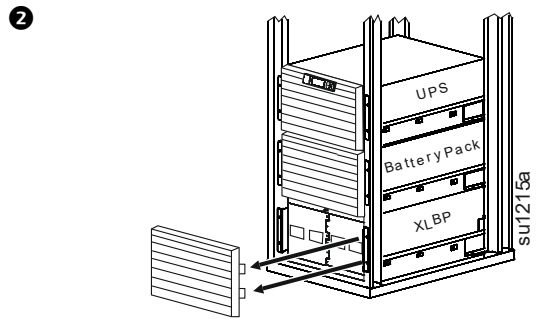
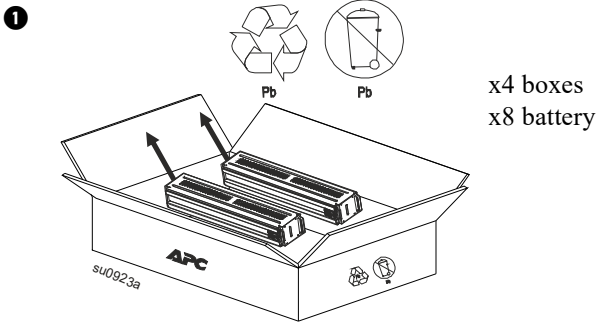
8



External battery pack SRT192BP, SRT192RMBP, SRT192BPJ

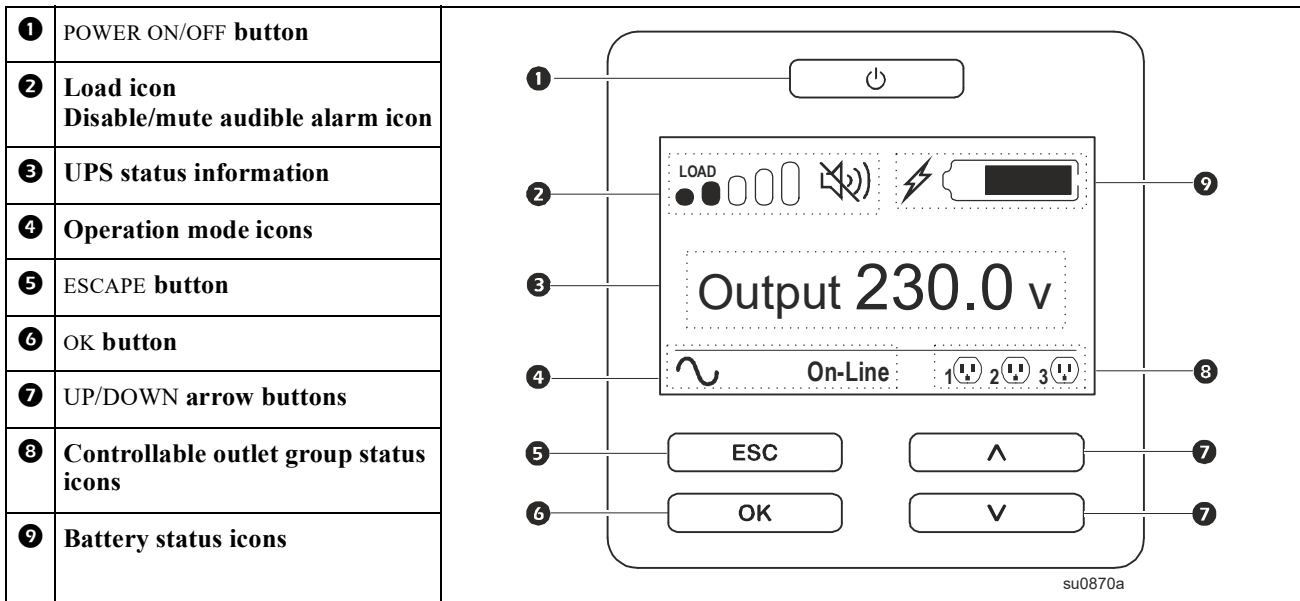


External battery pack SURT192RMXLBP2, SURT192RMXLBP2J



RBC Installation Date

(Feature available only in SRT5K/6K series)



After RBCs are installed, the LCD shows a message to confirm if the installed RBCs are new. Select the correct option.

- Option Yes: The UPS sets the current date as the install date of the new RBCs.
- Option No: There is no change in the RBC install date.

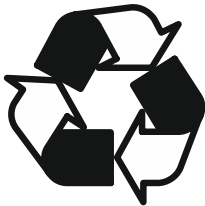
When the replacement battery cartridge (RBC), is charged to full capacity, perform a Self Test and a Runtime Calibration Test.

Check/modify the RBC install date

Use the UP/DOWN arrow buttons to navigate to the **Config Menu > Battery > Installation Date**.

Recycle Batteries

Always recycle used batteries properly.



Use the packing from the new APC by Schneider Electric replacement battery cartridges (RBC) to ship the used battery packs.

Return used batteries to an appropriate facility for proper disposal /recycling.

Refer to the APC by Schneider Electric web site <http://www.apc.com/recycle>, for battery disposal/recycling facility locations.

Refer to the APC by Schneider Electric web site <http://www.apc.com/contact/index.cfm>, for general APC by Schneider Electric information.

Customer support and warranty information are available on the APC by Schneider Electric web site, www.apc.com.